



Illustrated Parts List

Model Series

295400

TYPE NUMBERS
0110 through 0142.

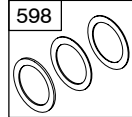
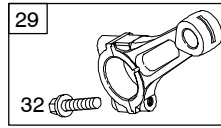
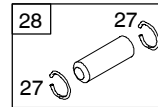
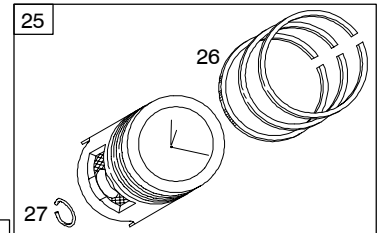
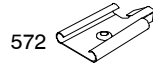
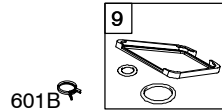
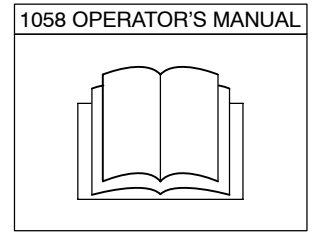
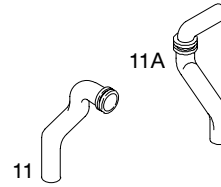
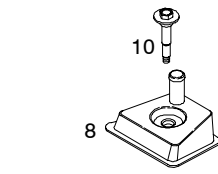
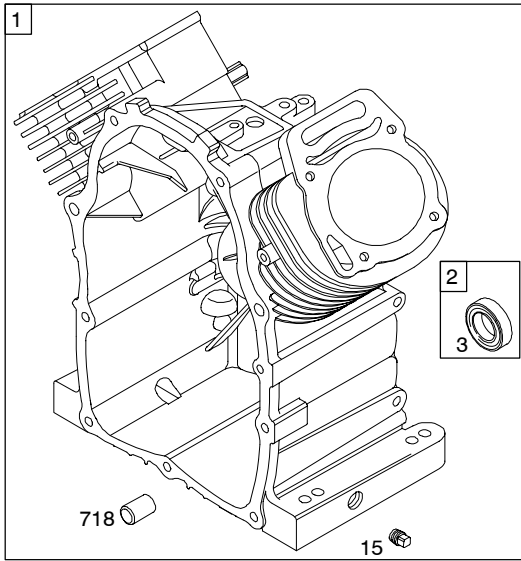
TABLE OF CONTENTS

Air Cleaner	7
Alternator	14
Blower Housings	11
Camshaft	2
Carburetor	6
Carburetor Overhaul Kit	6
Controls	9
Crankcase Cover/Sump	4
Crankshaft	2
Cylinder	2
Cylinder Head	3
Electric Starter	15
Engine Gasket Set	2
Flywheel	12
Fuel Supply	8
Governor Spring	9
Ignition	14
Intake Manifold	4
Lubrication	5
Piston/Rings/Connecting Rod	2
Rewind Starter	13
Shrouds	10
Valves	3
Valve Gasket Set	3

PRINTED IN U.S.A.



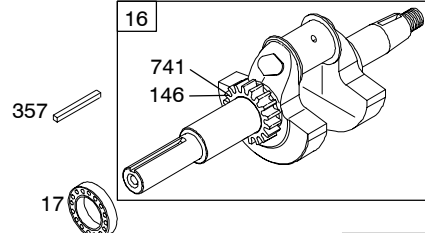
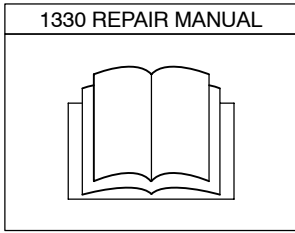
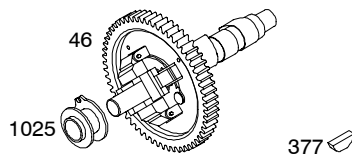
COPYRIGHT by BRIGGS & STRATTON CORPORATION
All rights reserved. No part of this material may be reproduced or transmitted, in any form or by any means, electronic or mechanical, including photocopying, recording or by any information storage and retrieval system, without permission in writing from Briggs & Stratton Corporation.



1319 WARNING LABEL

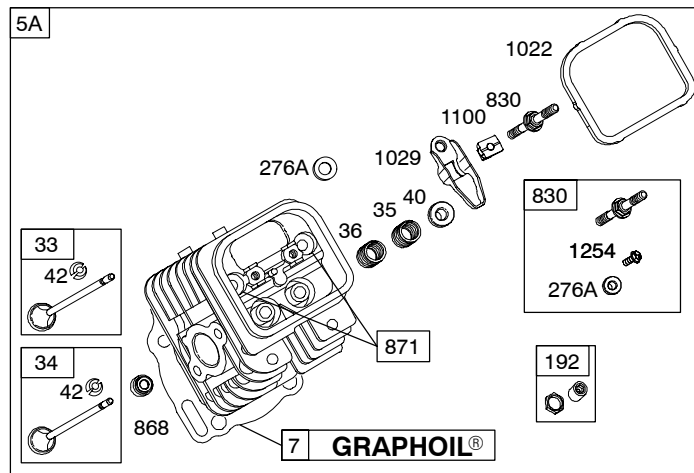
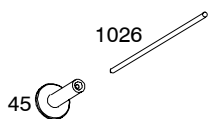
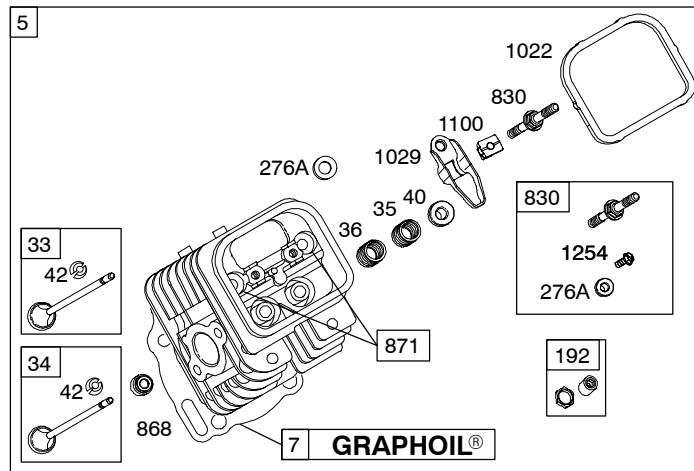
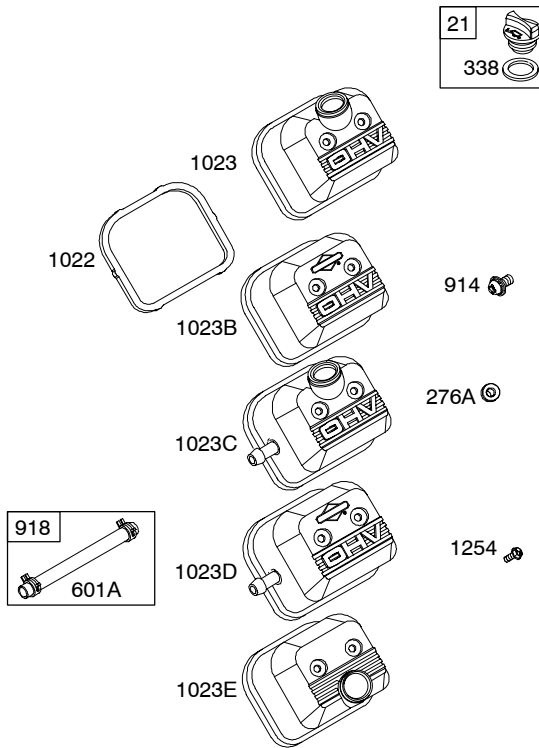
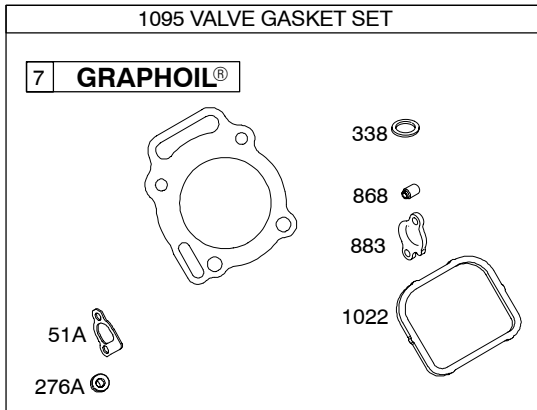
WARNING	
	Read and follow Operating Instructions before running engine.
	Gasoline is flammable. Allow engine to cool at least 2 minutes before refueling.
	Engines emit carbon monoxide, DO NOT run in enclosed area.
	Muffler area temperature may exceed 150°F. Do not touch hot parts.

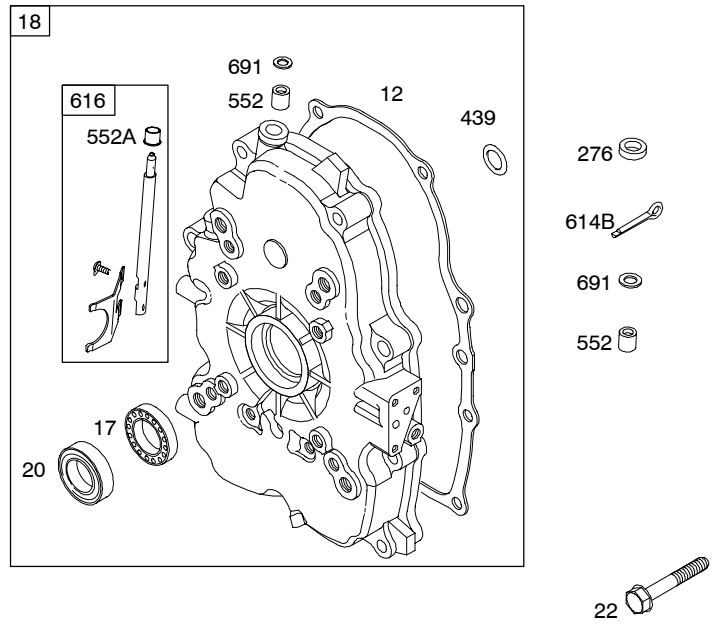
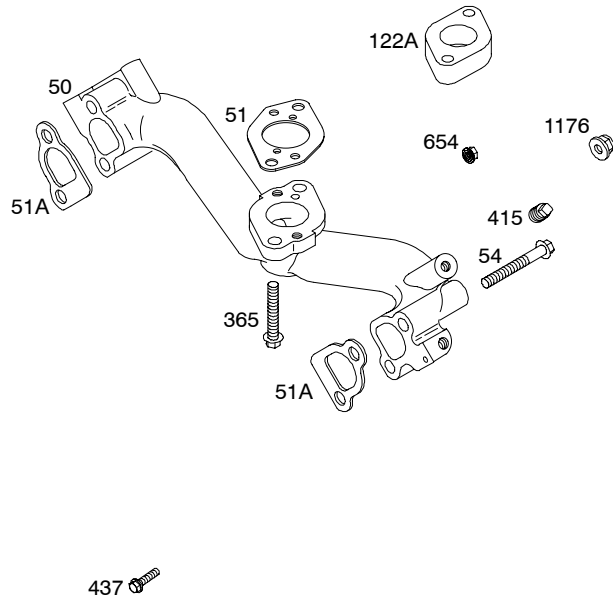
REQUIRED when replacing parts with warning labels affixed.

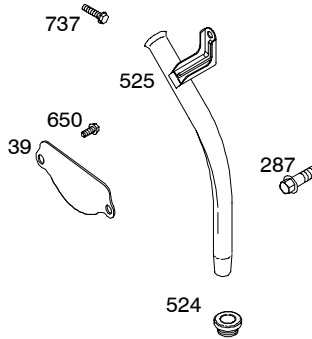
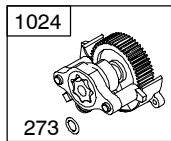
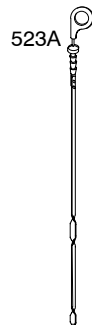
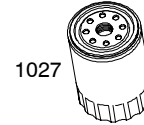
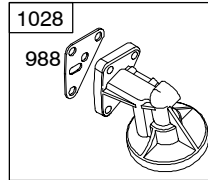
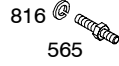
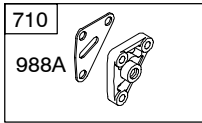


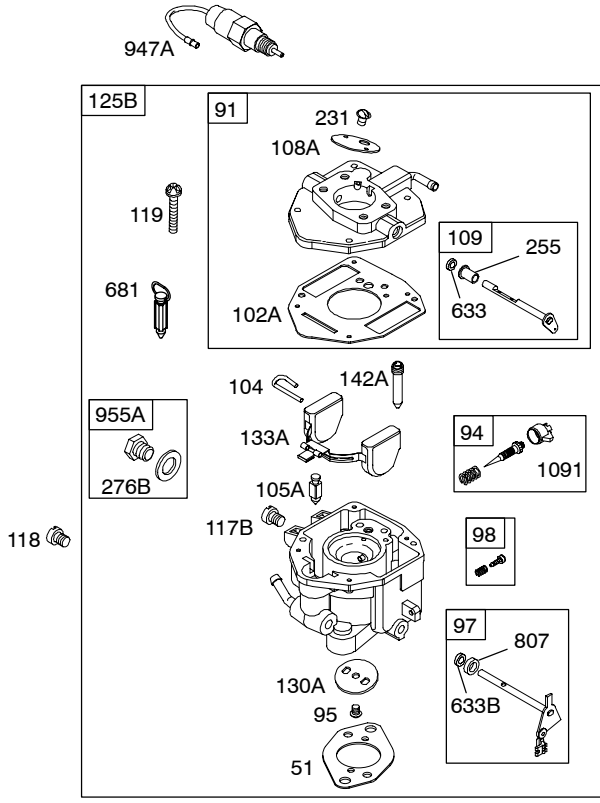
358A ENGINE GASKET SET

3	7 GRAPHOIL®	9	51	691
			51A	868
			163	883
			273	988
			276A	1022
			338	
			439	
			468	
			524	
			20	

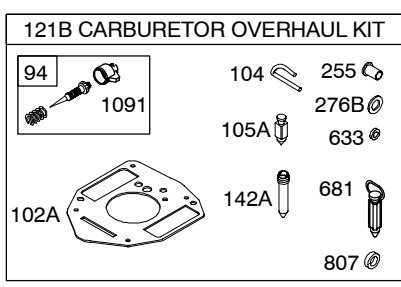
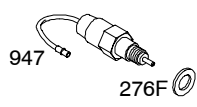


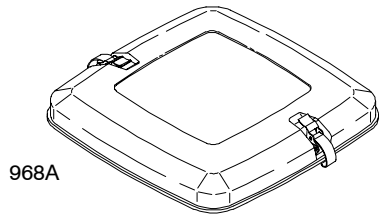




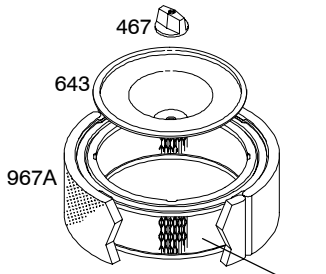


276C ©





968A



467

643

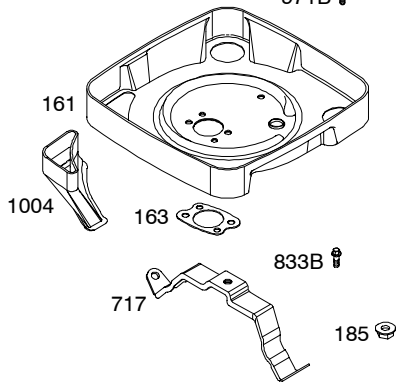
967A

445

971

996

971B



161

1004

163

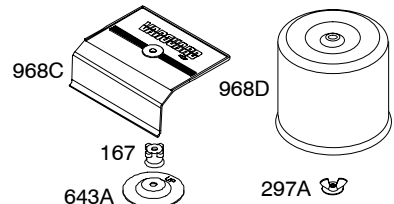
833B

717

185



862D



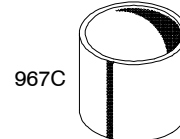
968C

968D

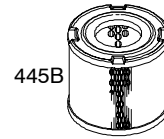
167

643A

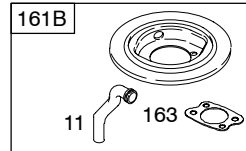
297A



967C



445B



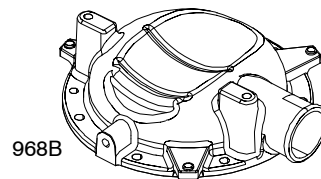
161B

11

163



11A

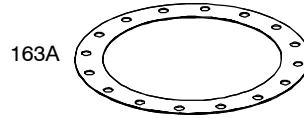


968B

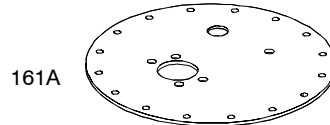


971

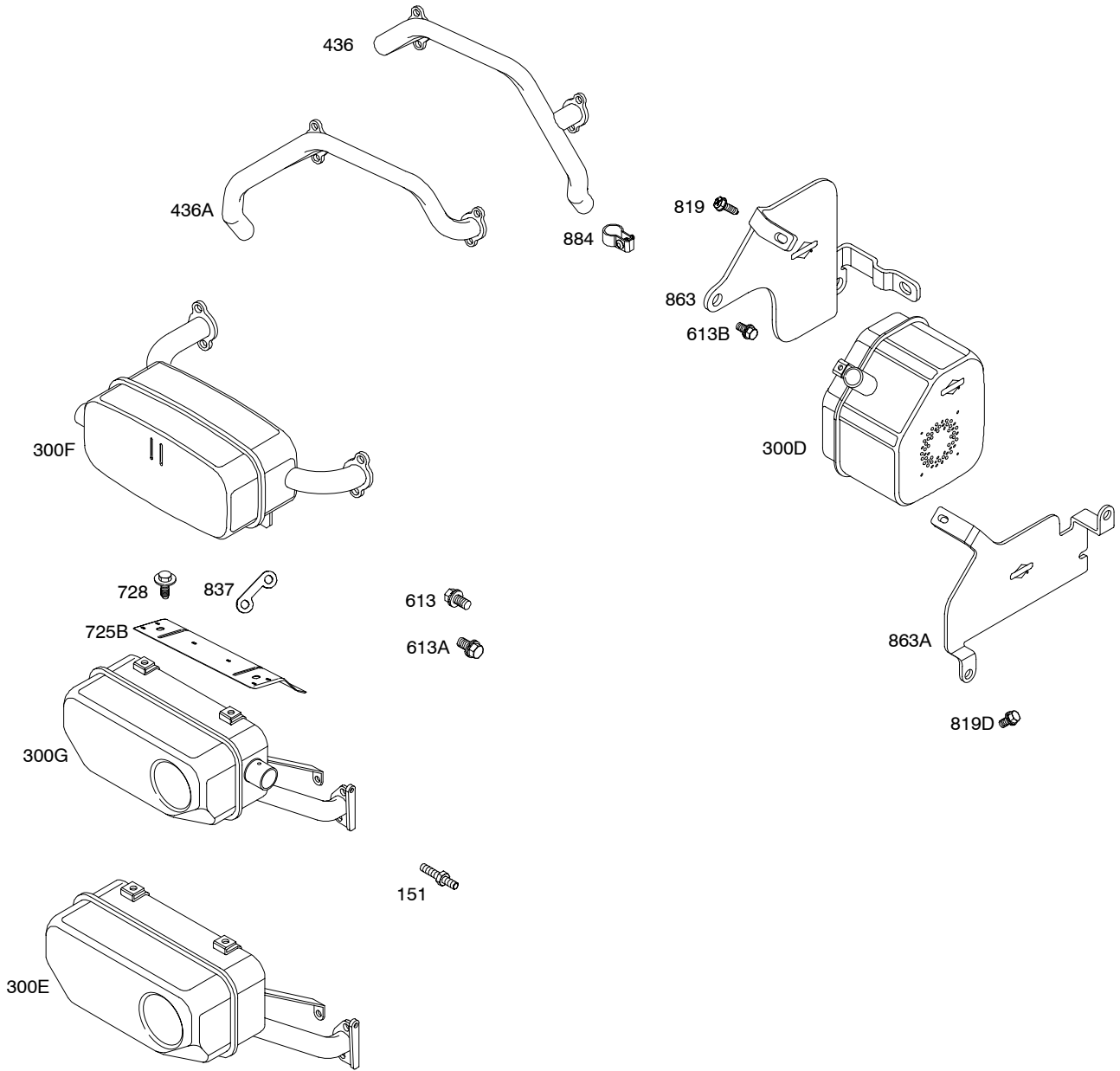
996C



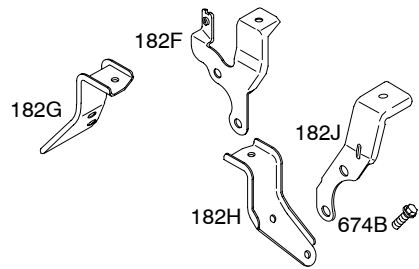
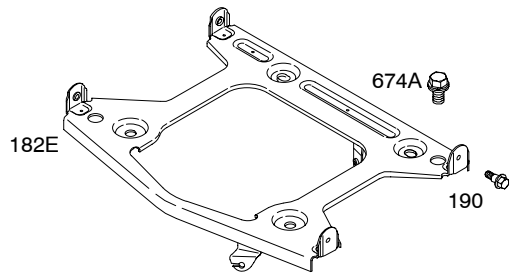
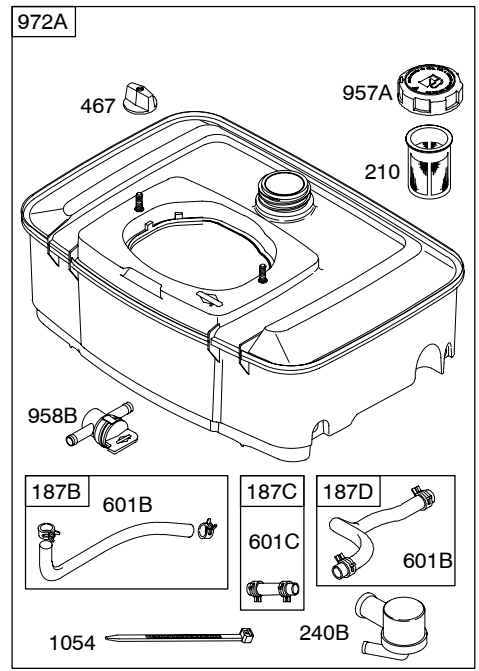
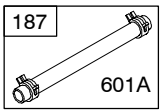
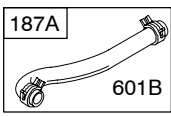
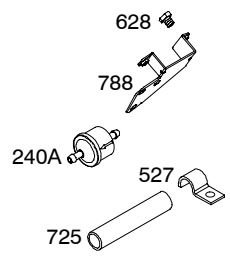
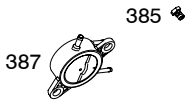
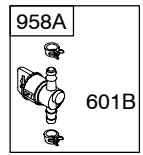
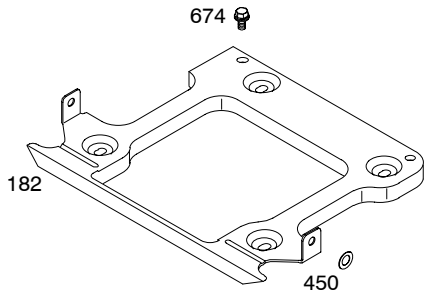
163A

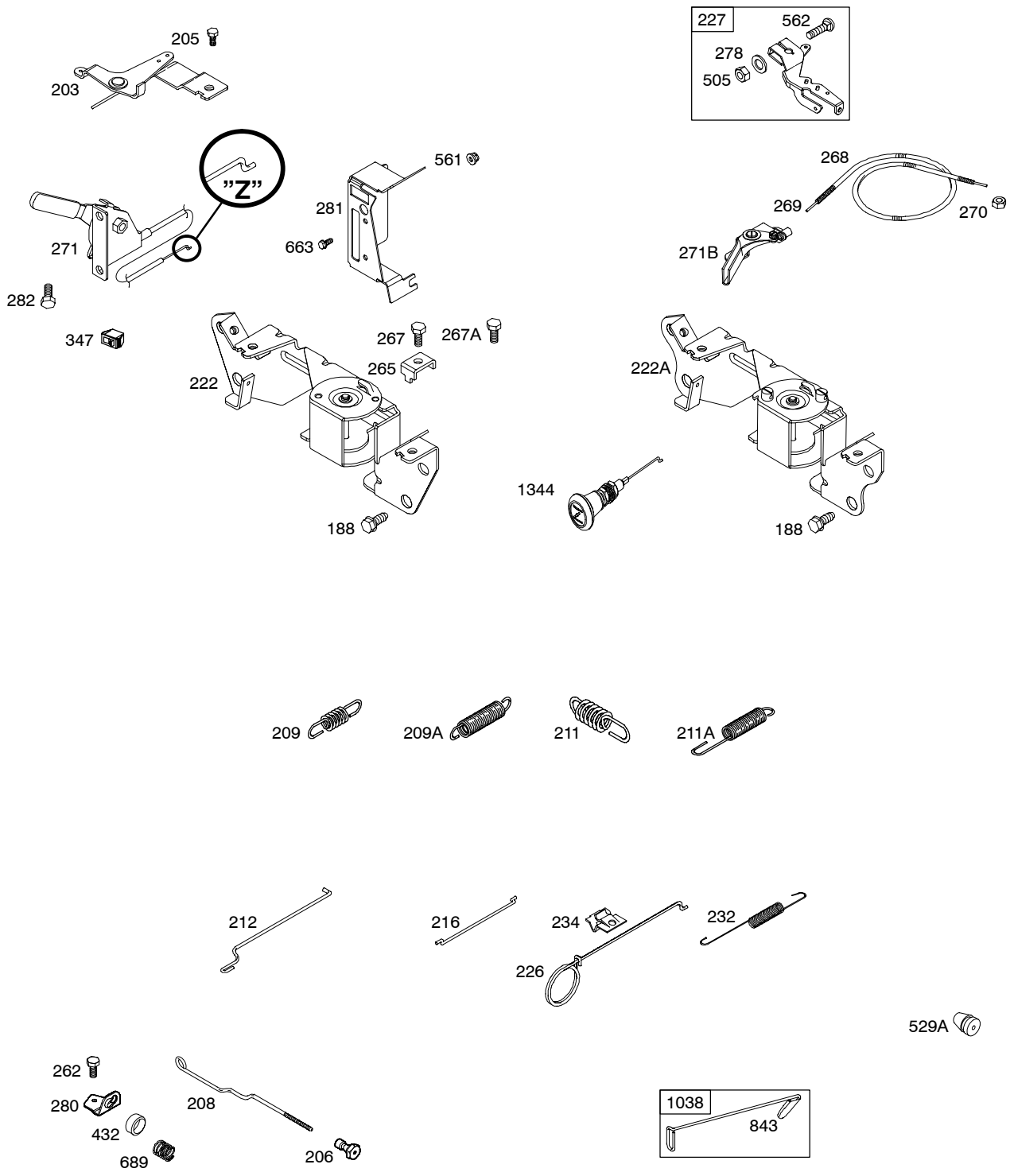


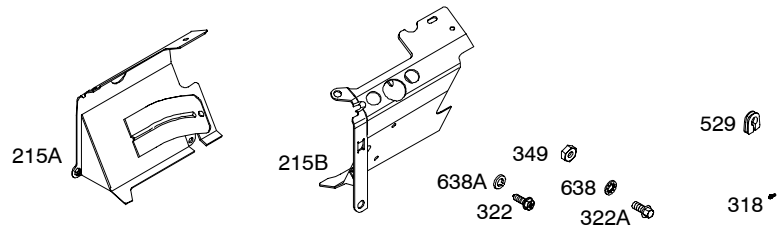
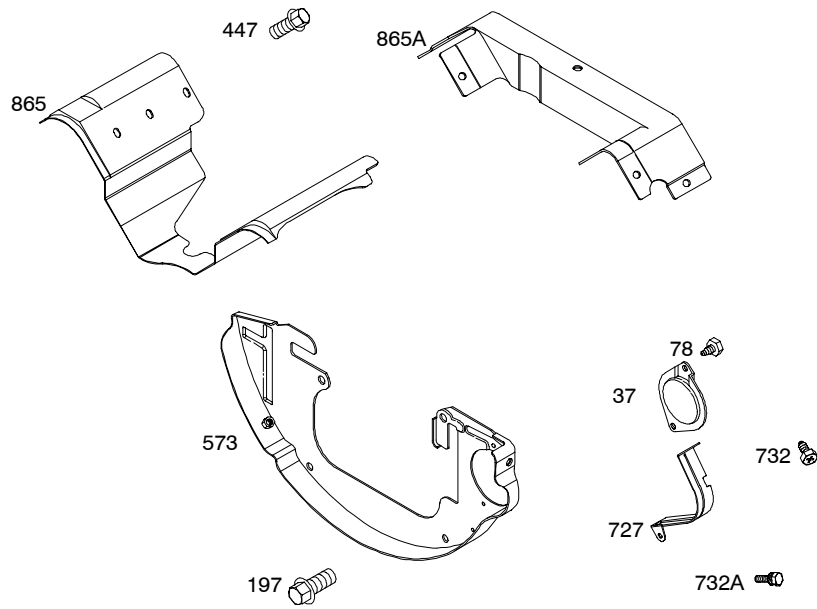
161A



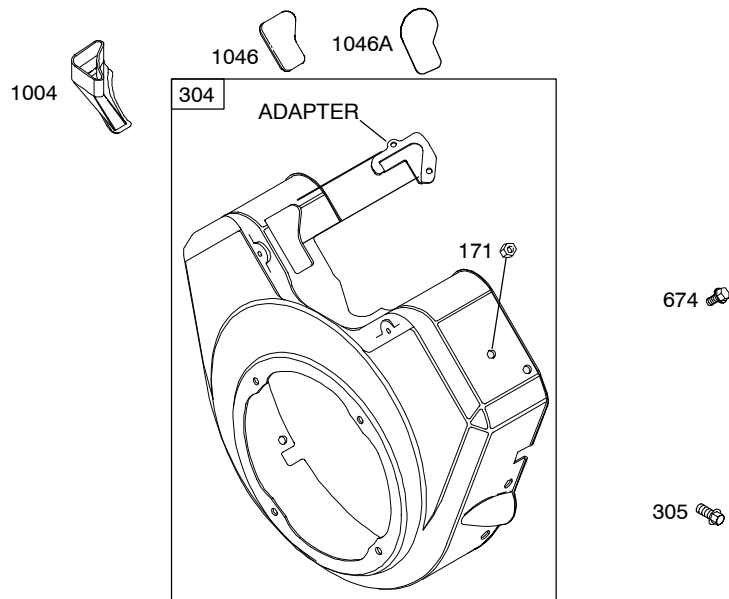
9 QUART



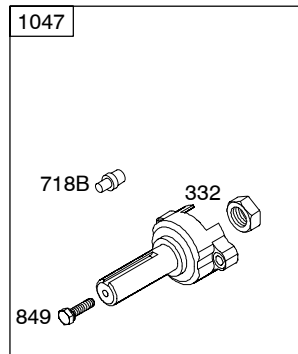
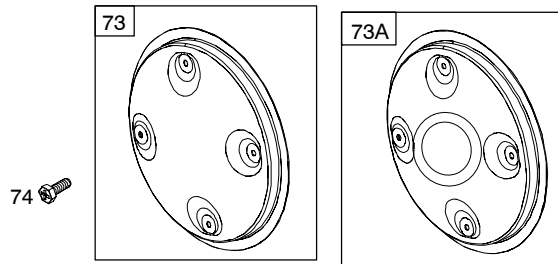
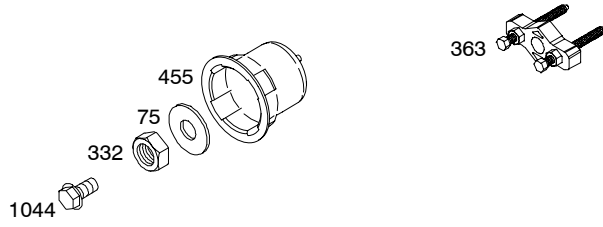
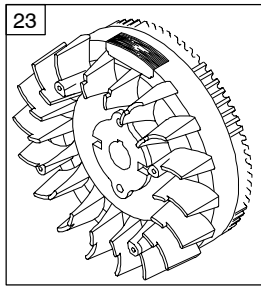


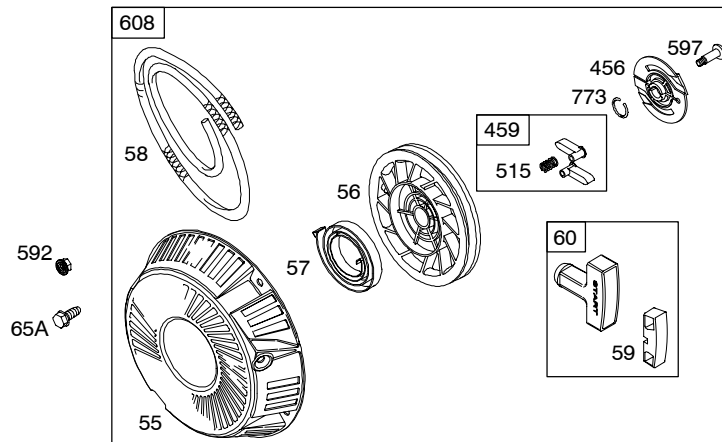


METAL AIR CLEANER BASE

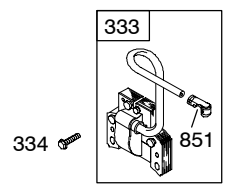
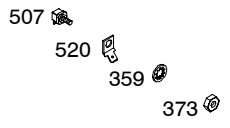
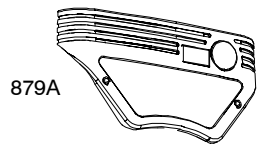
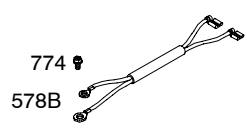
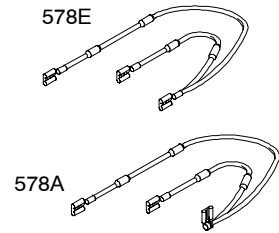
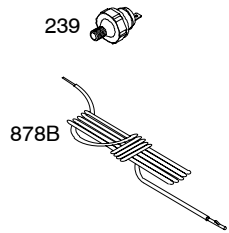
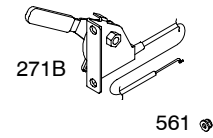
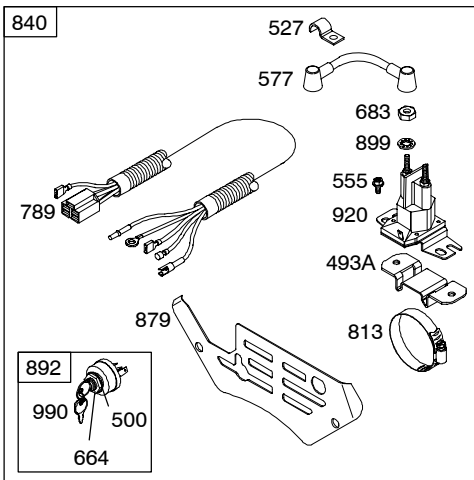
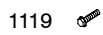
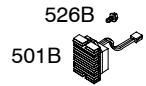


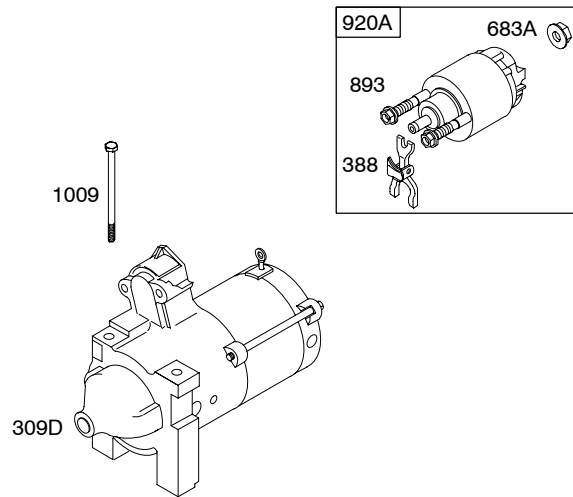
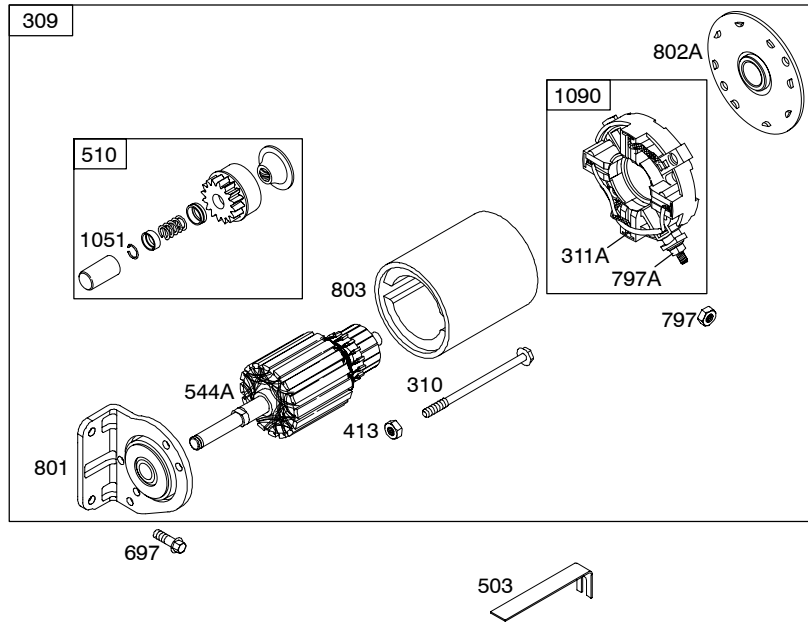
1036 EMISSIONS LABEL





DUAL CIRCUIT	10/16 AMP	20 AMP	20/50 AMP
<p>474B</p> <p>877</p>	<p>474D</p> <p>877C</p>	<p>474E</p> <p>877D</p>	<p>474F</p> <p>877D</p>
<p>878</p>	<p>578</p>		





REF. NO.	PART NO.	DESCRIPTION	REF. NO.	PART NO.	DESCRIPTION	REF. NO.	PART NO.	DESCRIPTION
1	692178	Cylinder Assembly ----- Note ----- 841081 Cylinder Assembly Used on Type No(s). 0116, 0117. 843583 Cylinder Assembly Used on Type No(s). 0142.	23	841908	Flywheel ----- Note ----- 841825 Flywheel Used on Type No(s). 0110, 0111, 0116, 0117, 0118, 0123, 0126, 0128, 0132, 0139. 841657 Flywheel Used on Type No(s). 0119. 842514 Flywheel Used on Type No(s). 0141. 842515 Flywheel Used on Type No(s). 0142.	37	841309	Guard-Flywheel
2	808534	Kit-Bushing/Seal (Magneto Side)				39	690745	Deflector-Oil
3	805101S	Seal-Oil (Magneto Side)				40	692058	Retainer-Valve
5	809200	Head-Cylinder (Cylinder 1)				42	807683	Keeper-Valve
5A	809201	Head-Cylinder (Cylinder 2)				45	843379	Tappet-Valve
7	806085S	Gasket-Cylinder Head				46	691557	Camshaft
8	808984	Breather Assembly	25	807619	Piston Assembly ----- Note ----- 807809 Piston Assembly (.020" Oversize)	50	690754	Manifold-Intake
9	809094	Gasket-Breather				51	691694	Gasket-Intake (Manifold To Carburetor)
10	690751	Screw (Breather Assembly)	26	807620	Ring Set ----- Note ----- 807810 Ring Set (.020" Oversize)	51A	692035	Gasket-Intake
11	691556	Tube-Breather				54	690676	Screw (Intake Manifold)
11A	806083S	Tube-Breather				55	691568	Housing-Rewind Starter
12	842589	Gasket-Crankcase				56	692085	Pulley-Starter
13	692059	Screw (Cylinder Head)	27	690683	Lock-Piston Pin	57	692086	Spring-Rewind Starter
15	690946	Plug-Oil Drain	28	807621	Pin-Piston	58	66574	Rope-Starter
16	692161	Crankshaft ----- Note ----- 692163 Crankshaft Used on Type No(s). 0111, 0112, 0126. 808740 Crankshaft Used on Type No(s). 0118. 808975 Crankshaft Used on Type No(s). 0142.	29	807900S	Rod-Connecting ----- Note ----- 807803 Rod- Connecting (.020" Undersize)	59	805957	Insert-Grip
17	690752	Bearing-Ball				60	808167	Grip-Starter Rope
18	808847	Cover-Crankcase	32	690698	Screw (Connecting Rod)	65A	841233	Screw (Rewind Starter)
20	805049S	Seal-Oil (PTO Side)	33	807681	Valve-Exhaust	73	841440	Screen-Rotating Used on Type No(s). 0132.
21	809500	Cap-Oil Fill	34	807680	Valve-Intake	73A	841662	Screen-Rotating
22	807362	Screw (Crankcase Cover/Sump)	35	692084	Spring-Valve (Intake)	74	841441	Screw (Rotating Screen)
			36	692084	Spring-Valve (Exhaust)	75	691490	Washer (Flywheel)
						78	690688	Screw (Flywheel Guard)
						91	807919	Body-Upper Carburetor ----- Note ----- 842236 Body-Upper Carburetor

Engine Gasket Set-Reference 358A
Carburetor Overhaul Kit-Reference 121B

Valve Gasket Set-Reference 1095

295400

REF. NO.	PART NO.	DESCRIPTION	REF. NO.	PART NO.	DESCRIPTION	REF. NO.	PART NO.	DESCRIPTION
94	842870	Kit-Idle Mixture (Used After Code Date 06103100). ----- Note ----- 808257 Kit-Idle Mixture (Used Before Code Date 06110100).	121B	809021	Kit-Carburetor Overhaul	187	791766	Line-Fuel (Cut to Required Length)
95	690718	Screw (Throttle Valve)	122A	690691	Spacer-Carburetor	187A	791801	Line-Fuel (Formed)
97	809007	Shaft-Throttle	125B	809010	Carburetor ----- Note ----- 809008 Carburetor Used on Type No(s). 0111, 0112, 0117, 0118, 0119, 0123, 0140, 0141.	187B	692107	Line-Fuel (Formed)
98	808177	Kit-Idle Speed			842235 Carburetor Used on Type No(s). 0142.	187C	692106	Line-Fuel (Straight)
102A	692077	Gasket-Carburetor Body				187D	692108	Line-Fuel (Formed)
104	690723	Pin-Float Hinge	130A	690726	Valve-Throttle	188	692056	Screw (Control Bracket)
105A	805620	Valve-Float Needle	133A	806961	Float-Carburetor	190	692199	Screw (Fuel Tank)
108A	690719	Valve-Choke	142A	690725	Nozzle-Carburetor (Standard)	192	807623	Adjuster-Rocker Arm
109	809096	Shaft-Choke			----- Note ----- 842240 Nozzle- Carburetor Used on Type No(s). 0142.	197	807163	Screw (Back Plate)
117B	806652	Jet-Main (Standard) ----- Note ----- 842238 Jet-Main (Standard) Used on Type No(s). 0142.				203	690923	Crank-Bell
			146	691639	Key-Timing	205	692083	Screw (Bell Crank)
			151	841185	Stud (Exhaust Manifold)			
			161	691561	Base-Air Cleaner			
			161A	841824	Base-Air Cleaner Used on Type No(s). 0142.			
			161B	808414	Base-Air Cleaner Used on Type No(s). 0113, 0116, 0130.			
			163	692081	Gasket-Air Cleaner			
			163A	841823	Gasket-Air Cleaner Used on Type No(s). 0142.			
			167	692297	Seal-Air Cleaner Nut			
			171	810056	Nut (Air Cleaner)			
			182	691523	Bracket-Fuel Tank			
			182E	841601	Bracket-Fuel Tank			
			182F	691520	Bracket-Fuel Tank			
			182G	841600	Bracket-Fuel Tank			
			182H	691524	Bracket-Fuel Tank			
			182J	691525	Bracket-Fuel Tank			
			185	690939	Nut (Air Cleaner Base)			
118	842238	Jet-Main (High Altitude) ----- Note ----- 842841 Jet-Main (High Altitude) (5000 Feet) Used on Type No(s). 0142. 842318 Jet-Main (High Altitude) (6500 Feet) Used on Type No(s). 0142. 842842 Jet-Main (High Altitude) (10,000 Feet) Used on Type No(s). 0142.						
119	690720	Screw (Upper To Lower Carburetor Body) ----- Note ----- 842761 Screw (Upper to Lower Carburetor Body)						

Engine Gasket Set-Reference 358A
Carburetor Overhaul Kit-Reference 121B

Valve Gasket Set-Reference 1095

REF. NO.	PART NO.	DESCRIPTION	REF. NO.	PART NO.	DESCRIPTION	REF. NO.	PART NO.	DESCRIPTION
206	691244	Nut-Governor Adjusting	212	690712	Link-Throttle	276F	693497	Washer-Sealing Used on Type No(s). 0142.
208	691549	Rod-Governor Control	215	841232	Guide-Air (Cylinder 1)(Black)	278	842122	Washer (Governor Control Lever)
209	692070	Spring-Governor ----- Note ----- 691507 Spring-Governor Used on Type No(s). 0118, 0123, 0132. 690710 Spring-Governor Used on Type No(s). 0130. 691506 Spring-Governor Used on Type No(s). 0126. 691508 Spring-Governor Used on Type No(s). 0138. 692072 Spring-Governor Used on Type No(s). 0139. 806507 Spring-Governor Used on Type No(s). 0141. 690716 Spring-Governor Used on Type No(s). 0142.	215A	841316	Guide-Air (Cylinder 2)(Black)	280	691526	Bracket-Rod
			215B	841317	Guide-Air (Cylinder 1)(Black)	281	690742	Panel-Control
			215F	841182	Guide-Air (Cylinder 2)(Black)	282	692083	Screw (Control Lever)
			216	690705	Link-Choke	287	692062	Screw (Dipstick Tube)
			222	808454	Bracket-Control	297A	691331	Nut (Air Filter Retainer)
			222A	691570	Bracket-Control Used on Type No(s). 0142.	300D	692099	Muffler
			226	692075	Rod-Hand Choke	300E	690906	Muffler Used on Type No(s). 0139, 0140.
			227	690236	Lever-Governor Control	300F	690931	Muffler Used on Type No(s). 0132, 0135.
			231	692056	Screw (Choke Valve)	300G	692464	Muffler Used on Type No(s). 0118.
			232	692073	Spring-Governor Link	304	842681	Housing-Blower ----- Note ----- 841658 Housing-Blower Used on Type No(s). 0141.
			234	691723	Clip-Control Rod	305	841233	Screw (Blower Housing)
			239	690233	Switch-Oil Pressure	309	691564	Motor-Starter
			240A	691035	Filter-Fuel	309D	808817	Motor-Starter Used on Type No(s). 0116, 0117.
			240B	808116S	Filter-Fuel	310	496880	Screw (Starter Motor)
			255	690721	Bushing-Choke Shaft	311A	497608	Brush Set
			262	692083	Screw (Rod Bracket)	318	841233	Screw (Mounting Bracket)
			265	691024	Clamp-Casing	322	841233	Screw (Cylinder Head Cover)
			267	692083	Screw (Casing Clamp) (M5x20)	322A	692067	Screw (Cylinder Head Cover)
			267A	841552	Screw (Casing Clamp) (M5x12)	332	690887	Nut (Flywheel)
			268	691025	Casing-Control Wire (Cut To Required Length)	333	492341	Armature-Magneto
			269	691026	Wire-Control (Cut To Required Length)	334	692066	Screw (Magneto Armature)
			270	691027	Nut (Control Wire Casing)			
			271	692541	Lever-Control			
			271B	691028	Lever-Control			
			273	690681	Seal-O Ring (Oil Pump)			
			276	690704	Washer-Sealing (Governor Crank)			
			276A	807085	Washer-Sealing (Rocker Cover)			
			276B	690724	Washer-Sealing (Carburetor Plug)			
			276C	806137	Washer-Sealing (Solenoid)			
209A	690709	Spring-Governor Used on Type No(s). 0111, 0112.						
210	691370	Strainer-Fuel						
211	692069	Spring-Governed Idle ----- Note ----- 691505 Spring-Governed Idle Used on Type No(s). 0118, 0142. 691553 Spring-Governed Idle Used on Type No(s). 0141.						
211A	690707	Spring-Governed Idle Used on Type No(s). 0111, 0112. ----- Note ----- 692068 Spring-Governed Idle Used on Type No(s). 0126.						

Engine Gasket Set-Reference 358A
Carburetor Overhaul Kit-Reference 121B

Valve Gasket Set-Reference 1095

295400

REF. NO.	PART NO.	DESCRIPTION	REF. NO.	PART NO.	DESCRIPTION	REF. NO.	PART NO.	DESCRIPTION
337	491055S	Plug-Spark ----- Note ----- 792015 Plug-Spark Used on Type No(s). 0110, 0111, 0112, 0113, 0116, 0117, 0119, 0126, 0130, 0132, 0139. 496018S Plug-Spark Used on Type No(s). 0142.	474B	696459	Alternator (Dual Circuit) Used on Type No(s). 0119.	552	690701	Bushing-Governor Crank
338	691312	Gasket-Dipstick	474D	696458	Alternator (10-16 Amp Regulated)	552A	806686	Bushing-Governor Crank
347	691995	Switch-Rocker	474E	696579	Alternator Used on Type No(s). 0141.	555	692067	Screw (Starter Solenoid)
349	690238	Nut (Cylinder Head Cover)	474F	841178	Alternator Used on Type No(s). 0142.	561	690713	Nut (Control Lever)
356	690796	Wire-Stop	479	807084	Screw (Oil Pump Screen)	562	690239	Bolt (Governor Control Lever)
356E	691999	Wire-Stop	493A	691177	Bracket-Mounting	565	690682	Stud (Oil Filter Adapter)
357	691483	Key-Drive Pulley	500	691086	Washer (Key Switch)	572	690686	Baffle-Breather
358A	842722	Gasket Set-Engine	501	691185	Regulator	573	841310	Plate-Back ----- Note ----- 841127 Plate-Back Used on Type No(s). 0116, 0117.
359	691077	Washer (Ground Terminal)	501B	841170	Regulator Used on Type No(s). 0142.			841314 Plate-Back Used on Type No(s). 0142.
363	19203	Puller-Flywheel				577	690795	Cable-Starter
365	690711	Screw (Carburetor)				578	692306	Wire Assembly
373	691612	Nut (Ground Terminal)				578A	692319	Wire Assembly
377	808095	Key-Woodruff				578B	690809	Wire Assembly
385	807084	Screw (Fuel Pump)	503	691532	Strap-Starter	592	690939	Nut (Rewind Starter)
387	808656	Pump-Fuel	505	690238	Nut (Governor Control Lever)	596	691492	Screw (Oil Pump)
388	820799	Lever-Pinion Drive	506	807120	Screw (Carburetor Cover)	597	690876	Screw (Pawl Friction Plate)
413	693587	Nut (Starter Motor)	507	691972	Insulator	598	807625	Shim-End Play (Crankshaft or Camshaft Bearing)
415	690283	Plug	510	496881	Drive-Starter	601A	691038	Clamp-Hose
432	691509	Cap-Spring	515	691528	Spring-Pawl	601B	791850	Clamp-Hose
436	692061	Manifold-Exhaust	520	691084	Terminal-Ground	601C	691522	Clamp-Hose
437	691902	Screw (Exhaust Manifold)	523A	693175	Dipstick	608	841729	Starter-Rewind
439	692154	Seal-O Ring (Crankcase Cover/Sump)	524	693172	Seal-Dipstick Tube	613	691902	Screw (Muffler)
445	394018S	Filter-Air Cleaner Cartridge	525	693174	Tube-Dipstick	613A	692328	Screw (Muffler)
445B	393957S	Filter-Air Cleaner Cartridge	526	692067	Screw (Regulator)	613B	692067	Screw (Muffler)
447	841233	Screw (Air Guide Cover)	526B	691547	Screw (Regulator) Used on Type No(s). 0141, 0142.	615B	691550	Retainer-Governor Shaft
450	806497	Washer (Fuel Tank Bracket)	527	690423	Clamp-Tube	616	806685	Crank-Governor
455	841794	Cup-Flywheel	529	690744	Grommet	628	806660	Screw (Fuel Pump Bracket)
456	691529	Plate-Pawl Friction	529A	691527	Grommet			
459	808166	Pawl-Ratchet	544A		Armature-Starter (For Replacement Armature, Order Reference 309)			
467	691985	Knob-Air Cleaner						
468	690690	Seal-O Ring (Oil Pump Screen)						

Engine Gasket Set-Reference 358A
Carburetor Overhaul Kit-Reference 121B

Valve Gasket Set-Reference 1095

REF. NO.	PART NO.	DESCRIPTION	REF. NO.	PART NO.	DESCRIPTION	REF. NO.	PART NO.	DESCRIPTION
633	690722	Seal-Choke/Throttle Shaft	741	691530	Gear-Timing	878	398661	Harness-Alternator
633B	806131	Seal-Choke/Throttle Shaft (Throttle)	773	690875	Retainer	878B	691362	Harness-Alternator Used on Type No(s). 0141.
635	692076	Boot-Spark Plug	774	692067	Screw (Stop Wire)	879	842829	Cover-Carburetor ----- Note -----
638	691551	Washer (Cylinder Head Cover)	788	691559	Bracket-Fuel Pump			842123 Cover-Carburetor Used on Type No(s). 0116, 0130, 0139.
638A	690706	Washer (Cylinder Head Cover)	789	691996	Harness-Wiring ----- Note -----	879A	807460	Cover-Carburetor ----- Note -----
643	692079	Retainer-Air Filter			841318 Harness-Wiring Used on Type No(s). 0116, 0117.			842124 Cover-Carburetor Used on Type No(s). 0110, 0111, 0117, 0118, 0128.
643A	690447	Retainer-Air Filter Used on Type No(s). 0113, 0116, 0130, 0139.	797	691029	Nut (Brush Retainer)			842127 Cover-Carburetor Used on Type No(s). 0112, 0140.
650	841233	Screw (Oil Deflector)	797A	693167	Nut (Brush Retainer)	883	691613	Gasket-Exhaust
654	690939	Nut (Carburetor)	801	808778	Cap-Drive	884	690898	Clamp-Muffler
663	692083	Screw (Control Panel)	802A	691286	Cap-End	892	692318	Switch-Key
664	691087	Nut (Key Switch)	803	690854	Housing-Starter	893	820805	Nut (Starter Solenoid)
674	692056	Screw (Fuel Tank Bracket)	807	805557	Spacer-Throttle	899	691077	Washer (Starter Solenoid)
674A	94536	Screw (Fuel Tank Bracket)	813	690635	Clamp	914	807120	Screw (Rocker Cover)
674B	692062	Screw (Fuel Tank Bracket)	816	690706	Washer (Oil Filter Adapter)	918	393815	Hose-Vacuum
681	808798	Kit-Needle/Seat	819	692056	Screw (Muffler Bracket)	920	691656	Solenoid-Starter
683	691029	Nut (Starter Solenoid)	819D	692062	Screw (Muffler Bracket)	920A	825418	Solenoid-Starter
683A	820809	Nut (Starter Solenoid)	830	809157	Stud-Rocker Arm	947	842239	Solenoid-Fuel Used on Type No(s). 0142.
689	691272	Spring-Friction	833B	691593	Screw (Air Cleaner Mounting Strap/Stud)	947A	692094	Solenoid-Fuel Plug-Carburetor
691	690680	Seal-Governor Shaft	837	808085	Spacer-Muffler	955A	807723	Plug-Carburetor
697	692062	Screw (Drive Cap)	840	842828	Kit-Panel	957A	493988S	Cap-Fuel Tank
710	807689	Cover-Oil Filter	843	691322	Sleeve-Lever	958A	698183	Valve-Fuel Shut Off Used on Type No(s). 0119.
717	692153	Bracket-Air Cleaner	851	493880S	Terminal-Spark Plug	958B	692008	Valve-Fuel Shut Off
718	806469	Pin-Locating	852D	691565	Strap/Stud-Air Cleaner Mounting Used on Type No(s). 0113, 0116, 0130, 0139.	967A	272490S	Filter-Pre Cleaner
725	280866	Shield-Heat	863	691513	Bracket-Muffler	967C	271794S	Filter-Pre Cleaner Used on Type No(s). 0113, 0116, 0130, 0139.
725B	691498	Shield-Heat	865	807119	Cover-Air Guide	968A	699959	Cover-Air Cleaner
727	841313	Cover-Starter Drive	865A	841319	Cover-Air Guide	968B	841822	Cover-Air Cleaner Used on Type No(s). 0142.
728	691514	Screw (Heat Shield)	868	691963	Seal-Valve			
729	690586	Clip-Wire	871	692057	Bushing-Valve Guide			
732	690688	Screw (Starter Drive Cover)	877	393456	Wire/Connector-Alternator Used on Type No(s). 0119.			
732A	841233	Screw (Starter Drive Cover)	877C	399916	Wire/Connector-Alternator			
737	690679	Screw (Oil Filter Adapter)	877D	698092	Wire/Connector-Alternator			

Engine Gasket Set-Reference 358A
Carburetor Overhaul Kit-Reference 121B

Valve Gasket Set-Reference 1095

295400

REF. NO.	PART NO.	DESCRIPTION	REF. NO.	PART NO.	DESCRIPTION	REF. NO.	PART NO.	DESCRIPTION
968C	691910	Cover-Air Cleaner	1023	690758	Cover-Rocker	1028	808235	Adapter-Oil Filter
968D	691755	Cover-Air Cleaner			Used on Type No(s).	1029	807323	Arm-Rocker
971	807084	Screw			0140.	1036		Label-Emissions
		(Air Cleaner Base	1023B	691494	Cover-Rocker			(Available from a
		to Carburetor)	1023C	690910	Cover-Rocker			Briggs & Stratton
971B	690699	Screw			(Cylinder 1)			Dealer)
		(Air Cleaner Base	1023D	691558	Cover-Rocker	1038	691567	Rod-Fuel Shut Off
		to Carburetor)			(With Fuel Pump)	1044	692056	Screw
972A	690663	Tank-Fuel			(Used On Cylinder 1			(Flywheel)
		(9 Quart)			Fuel Pump	1046	692082	Plug-Blower Housing
		Used on Type No(s).	1023E	691531	Cover-Rocker	1047	841580	Shaft-Stub
		0110, 0113, 0116,			(Used On Engines	1051	691124	Ring-Retaining
		0128, 0130, 0134.			Equipped With 9 Quart	1054	280275	Tie-Cable
988	692063	Gasket-Oil Adapter			Fuel Tanks)	1058	276343	Operator's Manual
988A	690687	Gasket-Oil Adapter	1024	693185	Pump-Oil	1059	698516	Kit-Screw/Washer
990	691959	Key Set	1025	690689	Spool-Governor	1090	691293	Retainer-Brush
996	691577	Shield-Carburetor	1026	691836	Rod-Push	1091	691516	Cap-Limiter
996C	841826	Shield-Carburetor			(Intake)(Steel)	1095	842723	Gasket Set-Valve
1004	841656	Duct-Air			----- Note -----	1100	791959	Pivot-Rocker Arm
1009	806474	Screw			691758 Rod-Push	1119	691552	Screw
		(Starter Motor)			(Exhaust)(Aluminum)			(Alternator)
1017	690900	Screen-Oil Pump	1027	842921	Filter-Oil	1176	842067	Nut
1022	806039S	Gasket-Rocker Cover						(Exhaust Manifold)
						1254	807084	Screw
								(Rocker Cover Stud)
						1319	794467	Label-Warning
						1330	272144	Repair Manual
						1344	841129	Cable-Choke

Engine Gasket Set-Reference 358A
Carburetor Overhaul Kit-Reference 121B

Valve Gasket Set-Reference 1095