



# MODEL 3104CMS FOR RED ROO

## CHIPPER MULCHER SHREDDER

### EXPLODED VIEWS WITH PART NUMBERS

CONGRATULATIONS!

You are now the proud owner of a BARRETO 3104 Chipper Mulcher Shredder (CMS). The following pages have detailed views of your trencher, along with corresponding part numbers. If you have any questions or need any replacement parts in the future, please contact us at your convenience. Our toll-free phone number, fax and email are listed below and parts may be ordered through any of these methods.

Thank you for your patronage and confidence in BARRETO equipment.

Barreto Manufacturing, Inc.  
Innovative Equipment Engineered to Last  
66498 Highway 203  
La Grande, OR 97850  
1-800-525-7348  
1-541-963-6755 Fax  
E-Mail: [info@barretomfg.com](mailto:info@barretomfg.com)  
Web Site: <http://www.barretomfg.com>

### Machine Identification Record

Machine model number \_\_\_\_\_

Machine serial number \_\_\_\_\_

Engine manufacturer \_\_\_\_\_

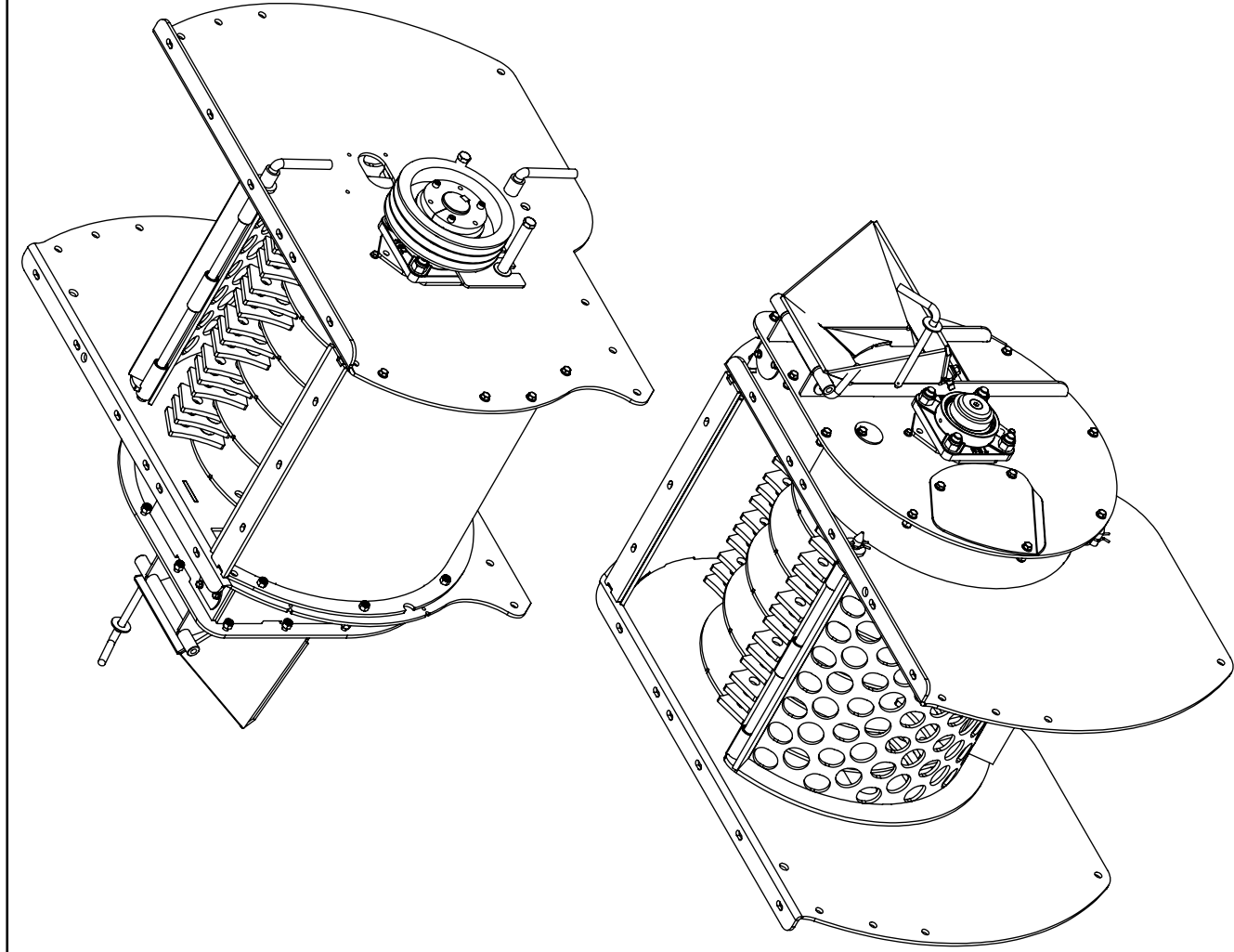
Engine model number \_\_\_\_\_

Engine serial number \_\_\_\_\_

ITEM NO.	QTY.	PART NO.	DESCRIPTION
1	1	1003CMS	ROTOR ASSEMBLY
2	1	1008CMS	CHIPPER DISC ASSEMBLY
3	1	16109-175	SCREEN, 1-3/4", OTHER SCREENS AVAILABLE
4	1	1605-0016	RIGHT SIDE COVER
5	1	1605-0014	CHIPPER COVER
6	2	1902-00348	BEARING PULLER
7	1	10704-0026	GUARD DISC, 2 HOLE
8	1	10104-0004	CHIPPER ANVIL
9	3	1913-0031	ANVIL SPACER WASHER
10	1	10303-0008	ROTOR SHAFT RETAINER CAP
11	1	1613-0003	CHIPPER BLADE ACCESS COVER
12	1	10704-0016	GUARD DISC, 1 HOLE
13	1	1908-0003	SCROLL
14	2	1808-0025	L PIN, SCREEN PIN
15	1	1605-0017	LEFT SIDE COVER
16	2	16103	CLUTCH PIN NUT
17	2	16104	DRIVEN CLUTCH PIN
18	1	16105	DRIVEN CLUTCH PIN MOUNT
19	1	103316M	FLANGE BEARING, 4 BOLT, 2" SHAFT W/ COVER
20	1	103316	FLANGE BEARING, 4 BOLT, 2" SHAFT
21	1	10310-0011-001	DRIVEN PULLEY, SHEAVE
22	1	10310-0011-002	DRIVEN PULLEY, BUSHING
23	2	05142	HAIR SPRING COTTER #8
24	1	105397	KEY, 1/2 X 1/2 X 1-3/4
25	1	105015	KEY, 5/16 X 5/16 X 1-1/4
26	4	05273	NUT, NYLOCK, 5/16-18 NC ZINC
27	8	05099	NUT, NYLOCK, 5/8-11 NC ZINC
28	1	105410	FSCS 1/2-13 NC X 1 1/4, BLACK OX
29	2	05067	HH CAP SCREW, 1/2-13 NC X 1 G5 ZINC
30	3	05361	SH CAP SCREW, 5/16-18 NC X 7/8 ZINC
31	17	05131	HHFS 5/16-18 X 3/4, G8, ZN
32	3	05381	HHFS 3/8-16 X 1-1/4, G5, ZN
33	2	05137	WASHER, 3/8 X 1-1/4 OD FENDER ZINC
34	17	05073	NUT, NYLOCK, 3/8-16 NC ZINC
35	3	05148	WHIZ-LOCK 5/16 - 18 X 3/8
36	4	05051	WHIZ-LOCK 1/4 - 20 X 1/2
37	2	01378	BLADE PIN
38	2	16137	BEARING BOLT FLANGE
39	1	16140	WHEEL SPACER
40	2	1913-0049	LABYRINTH SEAL
41	6	16144	THRUST WASHER, 2.005 X 2.563 X 0.020
42	1	05069	WHIZ LOCK, 1/4-20 NC X 5/8 ZINC

NOTES:

- 1) FOR A COMPLETE PULLEY, BUSHING, SHEAVE & BOLTS ORDER 0310-0011
- 2) 05408 SH CAP SCREW, 3/8-16 NC X 2 A574 BLACK, IS INCLUDED WITH BUSHING 0310-0011-002



# BARRETO

TITLE: MAIN BODY ASSEMBLY

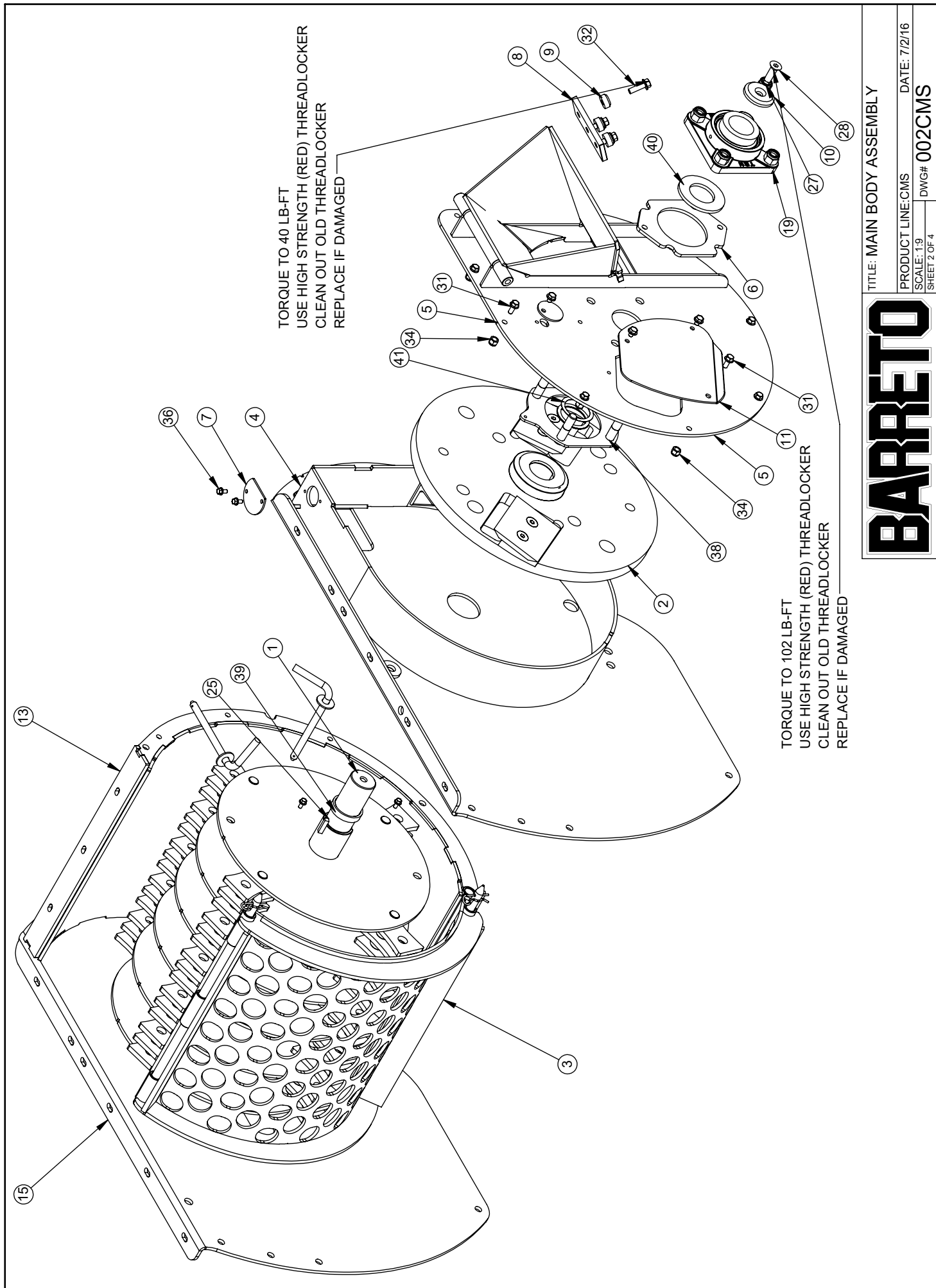
PRODUCT LINE:CMS

DATE: 7/2/16

SCALE: 1:12

DWG# 002CMS

SHEET 1 OF 4

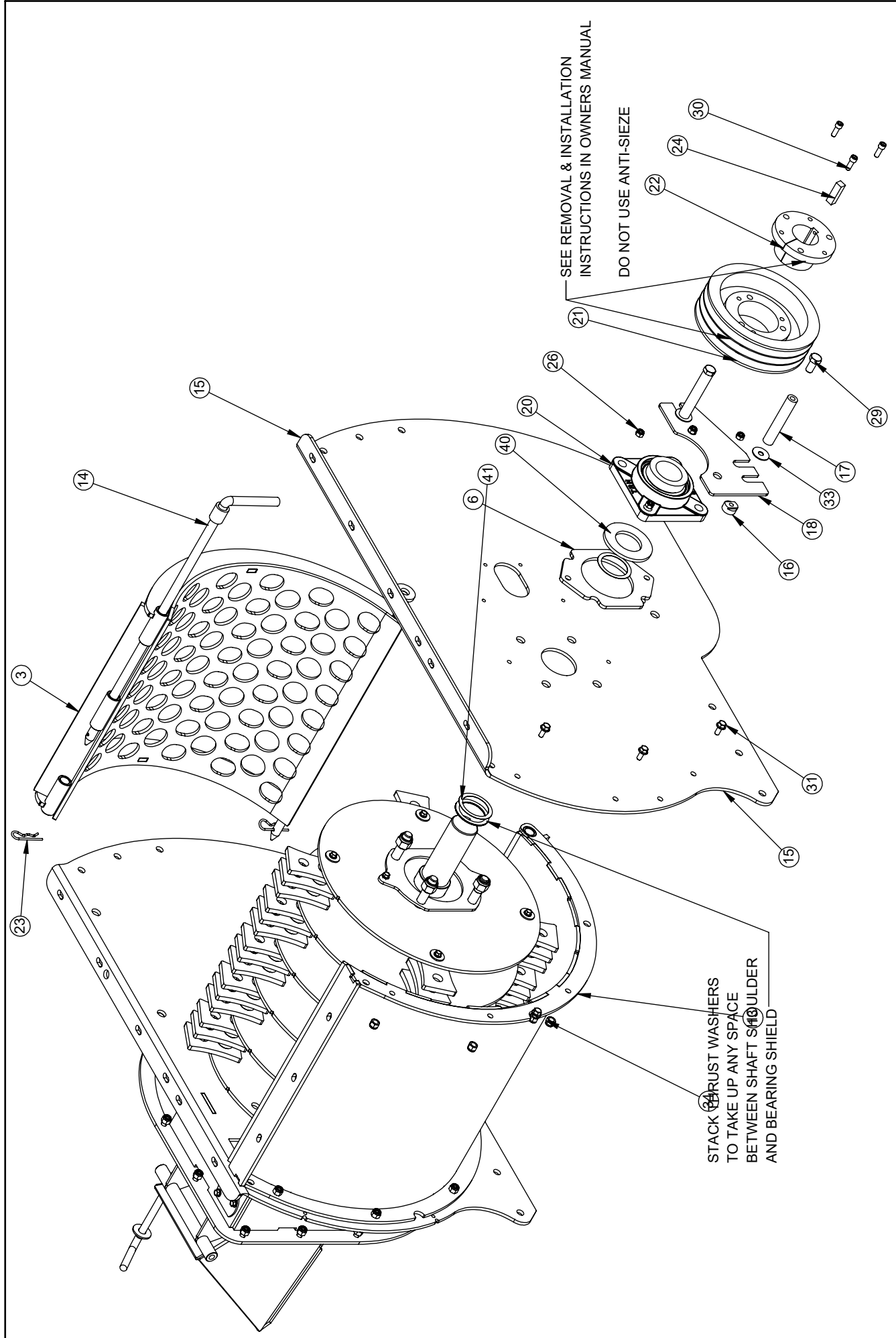


# BARRETO

TITLE: MAIN BODY ASSEMBLY

PRODUCT LINE: CMS      DATE: 7/2/16

SCALE: 1:9      DWG# 002CMS  
SHEET 2 OF 4



TITLE: MAIN BODY ASSEMBLY

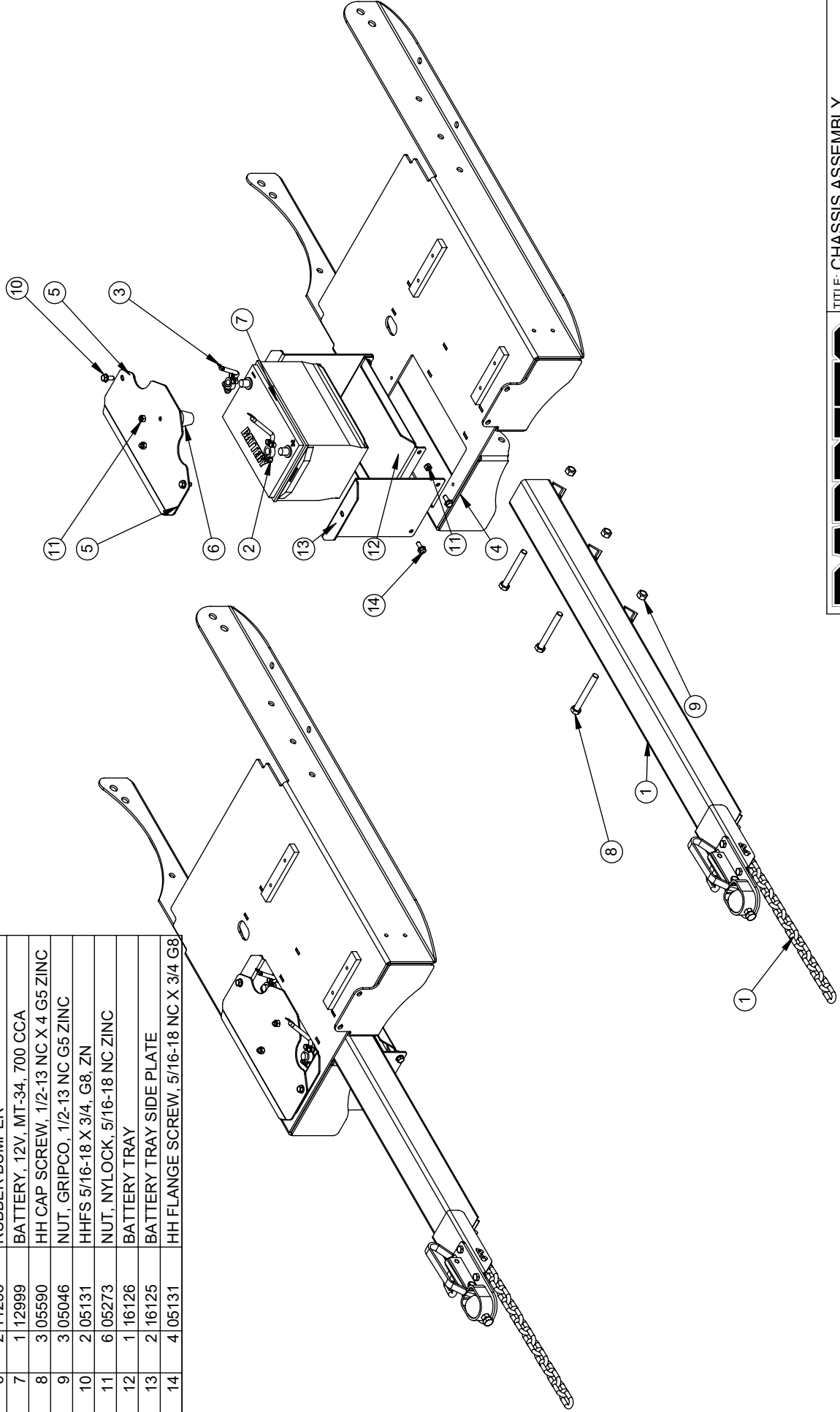
PRODUCT LINE: CMS DATE: 7/2/16

SCALE: 1:9 DWG# 002CMS

SHEET 3 OF 4

# BARRETO

ITEM NO.	QTY.	PART NO.	DESCRIPTION
1	1	0015CMS	DRAW BAR & COUPLER
2	1	16115R	BATTERY CABLE, POSITIVE, RED
3	1	16115B	BATTERY CABLE, BLACK, NEGATIVE
4	1	0605-0033	CHASSIS
5	1	16114	BATTERY COVER
6	2	11258	RUBBER BUMPER
7	1	12999	BATTERY, 12V, MT-34, 700 CCA
8	3	05590	HH CAP SCREW, 1/2-13 NC X 4 G5 ZINC
9	3	05046	NUT, GRIPCO, 1/2-13 NC G5 ZINC
10	2	05131	HHFS 5/16-18 X 3/4, G8, ZN
11	6	05273	NUT, NYLOCK, 5/16-18 NC ZINC
12	1	16126	BATTERY TRAY
13	2	16125	BATTERY TRAY SIDE PLATE
14	4	05131	HH FLANGE SCREW, 5/16-18 NC X 3/4 G8



TITLE: CHASSIS ASSEMBLY

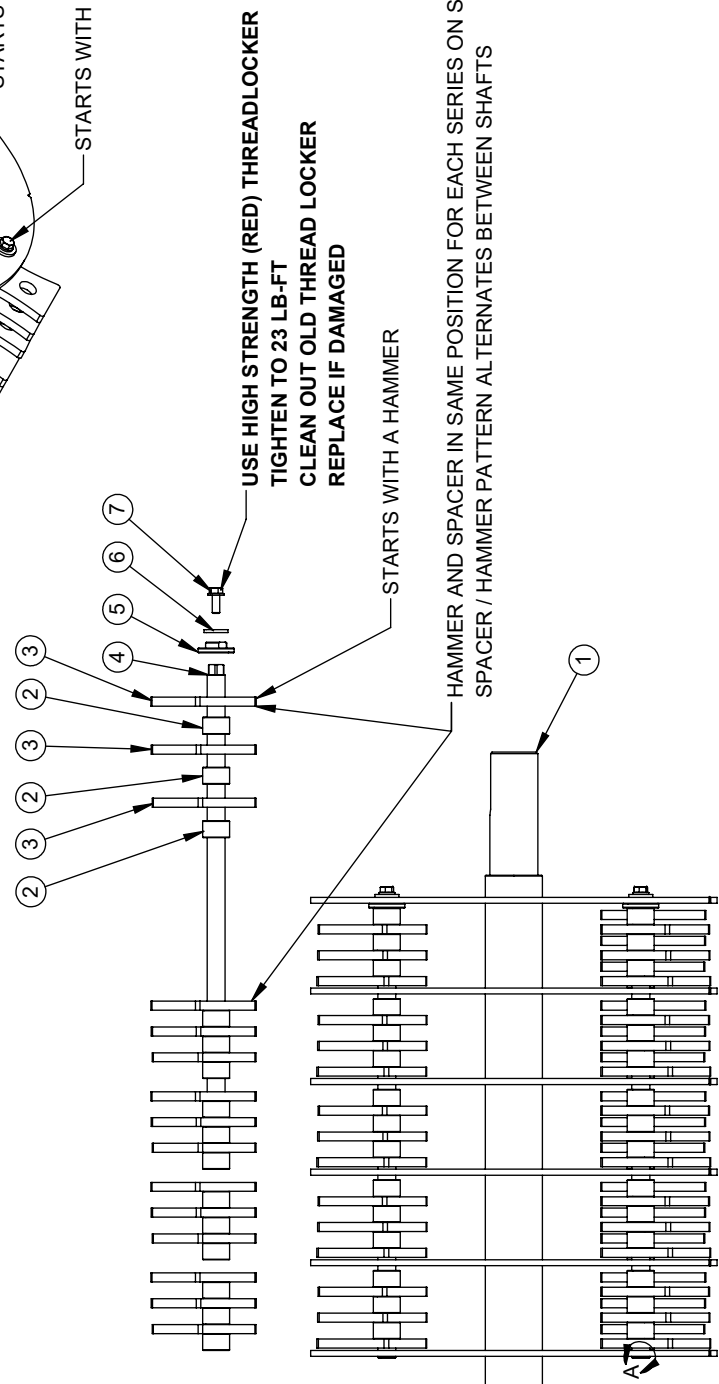
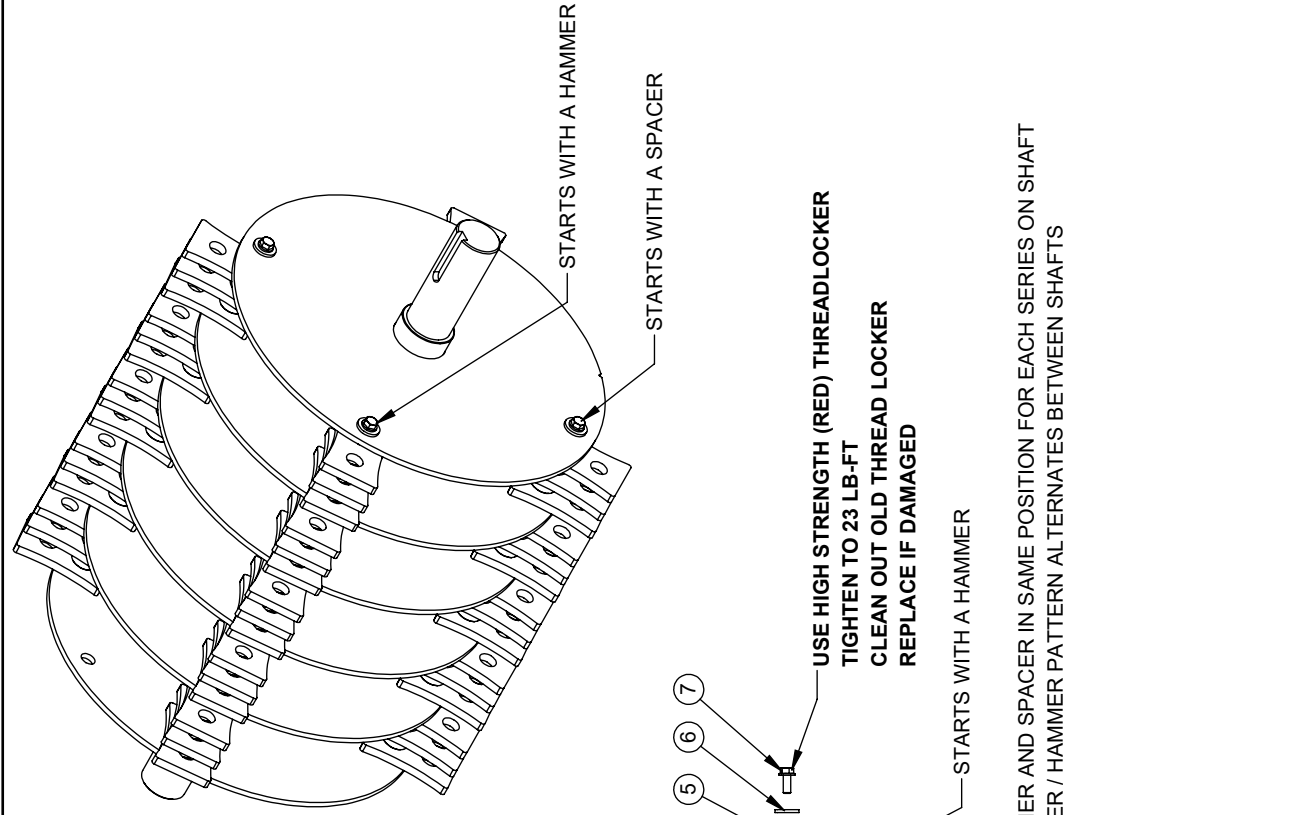
PRODUCT LINE: 3104CMS DATE: 2/16/16

SCALE: 1:12 DWG# 001CMSRR

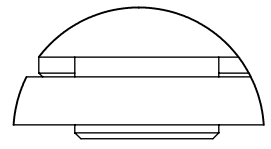
SHEET 2 OF 2

# BARRETO

ITEM NO.	QTY.	PART NO.	DESCRIPTION
1	1	1807-0004	ROTOR WELDMENT
2	60	1913-0058	ROTOR PIN SPACER
3	60	0206-0007	HAMMER
4	4	1604-0031	ROTOR PIN
5	4	1604-00312	SHAFT LOCKING FLANGE
6	4	05399	WASHER, 5/16 X 1 X 1/8 ZN
7	4	05398	HH FLANGE SCREW, 5/16-18 NC X 3/4 ZINC



MAKE SURE ROTOR PIN EXTENDS THROUGH LAST PLATE

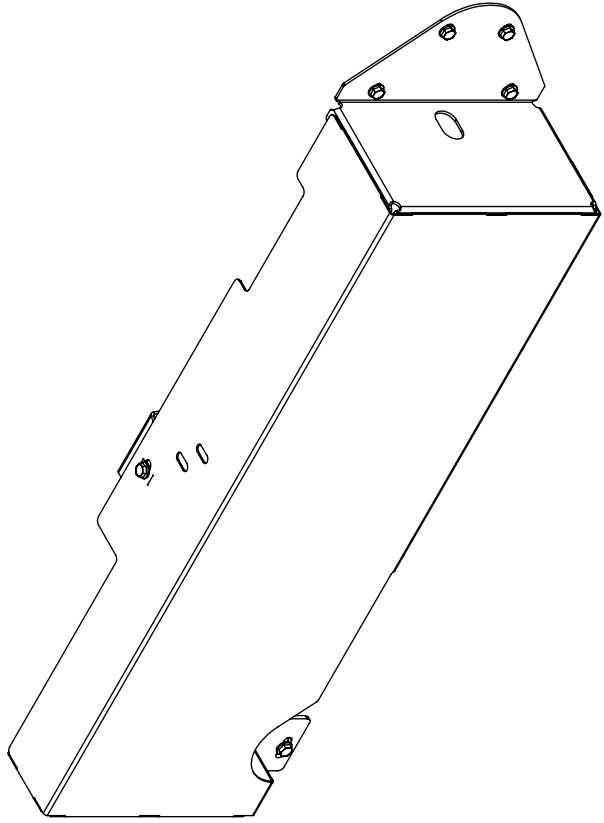
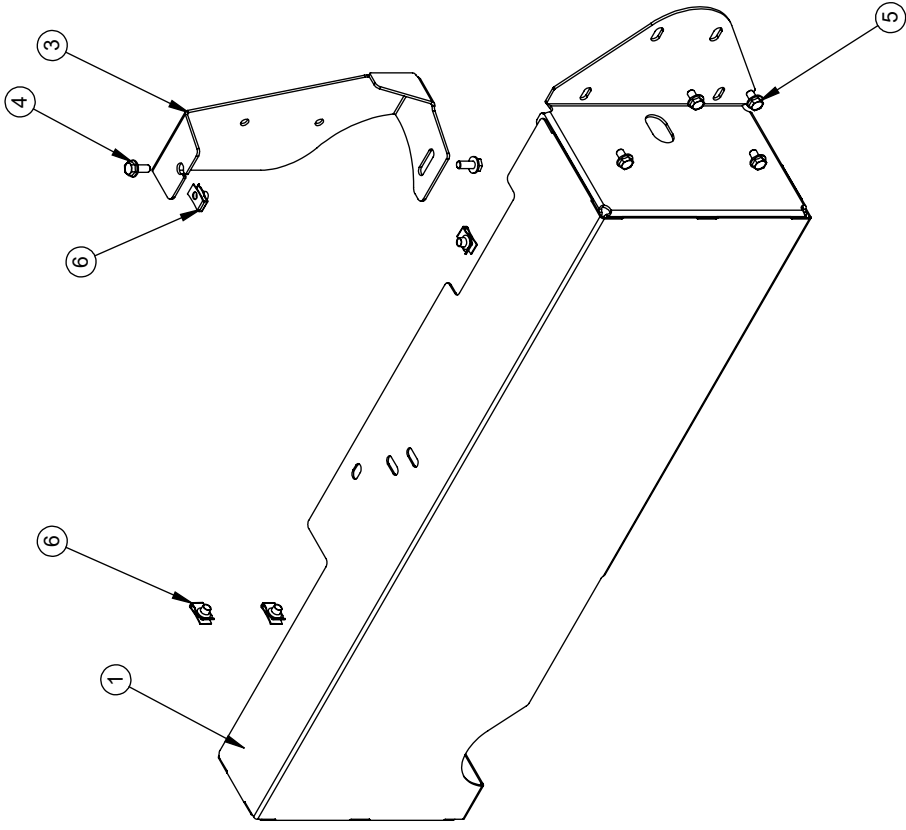
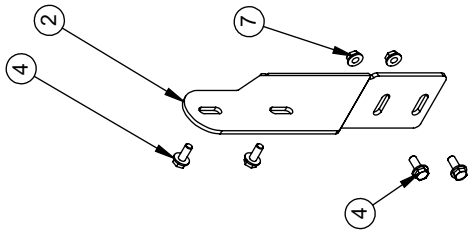


TITLE: ROTOR ASSEMBLY

DETAIL A  
SCALE 1 : 1

PRODUCT LINE:CMS  
SCALE: 1:8  
SHEET 1 OF 1  
DATE: 2/22/16  
DWG# 003CMS

ITEM NO.	QTY.	PART NO.	DESCRIPTION
1	1	0704-0024	BELT GUARD
2	1	16123	BELT GUARD SUPPORT
3	1	0704-0011	BELT GUARD, INSIDE SUPPORT
4	6	05140	WHIZ-LOCK 5/16 - 18 X 3/4
5	4	05169	WHIZ-LOCK 5/16 - 18 X 1/2
6	4	05359	CLIP NUT, 5/16-18
7	2	05364	NUT, 5/16-18 NC, SERRATED FLANG



TITLE: BELT GUARD ASSEMBLY

PRODUCT LINE: CMS DATE: 6/22/16

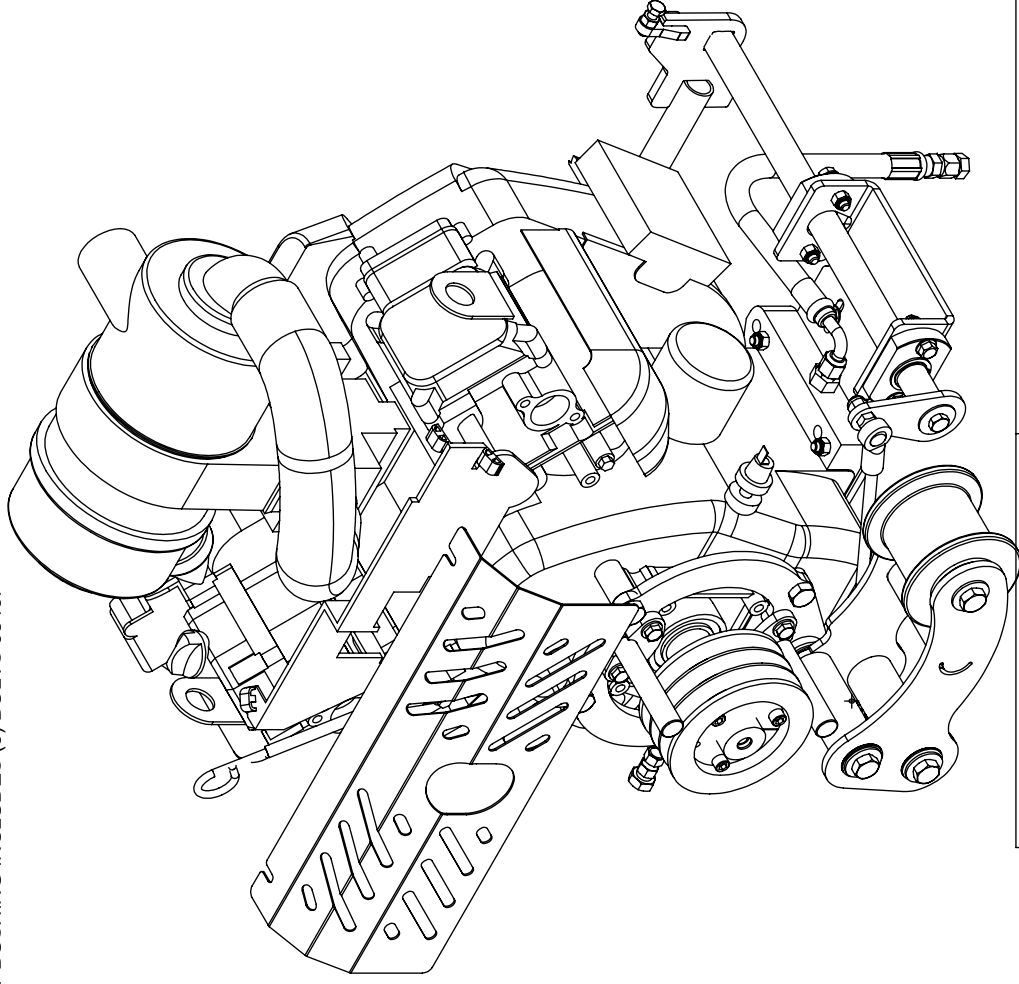
SCALE: 1:8 DWG# 006CMS

SHEET 1 OF 1



ITEM NO.	QTY.	PART NO.	DESCRIPTION
1	1	0012CMS	CLUTCH PULLEY ASSEMBLY
2	1	B&S-30	ENGINE, BRIGGS 30
3	1	07027-10	MUFFLER, B&S 30, CENTER EXIT
4	2	16110	CLUTCH PIN
5	1	12809	MUFFLER SHIELD, BRIGGS
6	1	16093	ENGINE MOUNT
7	1	16108	PULLEY / ENGINE SHAFT SPACER
8	1	16095	CLUTCH CONTROL SHAFT
9	1	16096	CLUTCH HANDLE
10	1	16097	CLUTCH LINK
11	1	16098	SPRING GUIDE
12	1	16099	CLUTCH CAM
13	2	16100	BUSHING MOUNT
14	1	16112	ENGINE DRAIN HOSE
15	1	16120	SPRING RISER
16	1	104539	FITTING, 2408-6
17	1	104215	FITTING, 9067-6-14 METRIC
18	1	0310-0010-001	DRIVE PULLEY, SHEAVE
19	1	0310-0010-002	DRIVE PULLEY, BUSHING
20	3	05361	SH CAP SCREW, 5/16-18 NC X 7/8 ZINC
21	1	03032-01	GRIP, 1 X 5 (P/N 03032 IS A PAIR)
22	1	05409	SPRING, 2" X 3/8" ID
23	1	03921	SPRING, 2.5 X 1-1/16OD
24	1	05318	KEY, 1/4 X 1/4 X 1
25	1	03527	BALL JOINT 3/8-24
26	2	05010	SNAP RING, 1" EXTERNAL
27	2	03268	BUSHING, IGUS LFI-1618-08
28	6	05067	HH CAP SCREW, 1/2-13 NC X 1 G5 ZINC
29	2	05059	HH CAP SCREW, 3/8-16 NC X 1 G5 ZINC
30	2	05137	WASHER, 3/8 X 1-1/4 OD FENDER ZINC
31	8	05269	NUT, 3/8-16 NC GRB ZINC
32	2	11622	NUT, 3/8-24 NF GRB ZINC
33	1	05072	NUT, NYLOCK, 3/8-24 NF ZINC
34	5	05101	WASHER, 3/8 SAE ZINC
35	4	05140	WHIZ-LOCK 5/16 - 18 X 3/4
36	4	05566	HH CAP SCREW, 5/16-18 NC X 2 G5 ZINC
37	4	05138	HHFS 5/16-18 X 1-1/4, G5, ZN
38	4	05567	HHFS 5/16-18 X 1, G5, ZN
39	1	05315	HH CAP SCREW, 5/16-18 NC X 1 G5 ZINC
40	8	05273	NUT, NYLOCK, 5/16-18 NC ZINC
41	1	05264	NUT, 5/16-18 NC ZINC

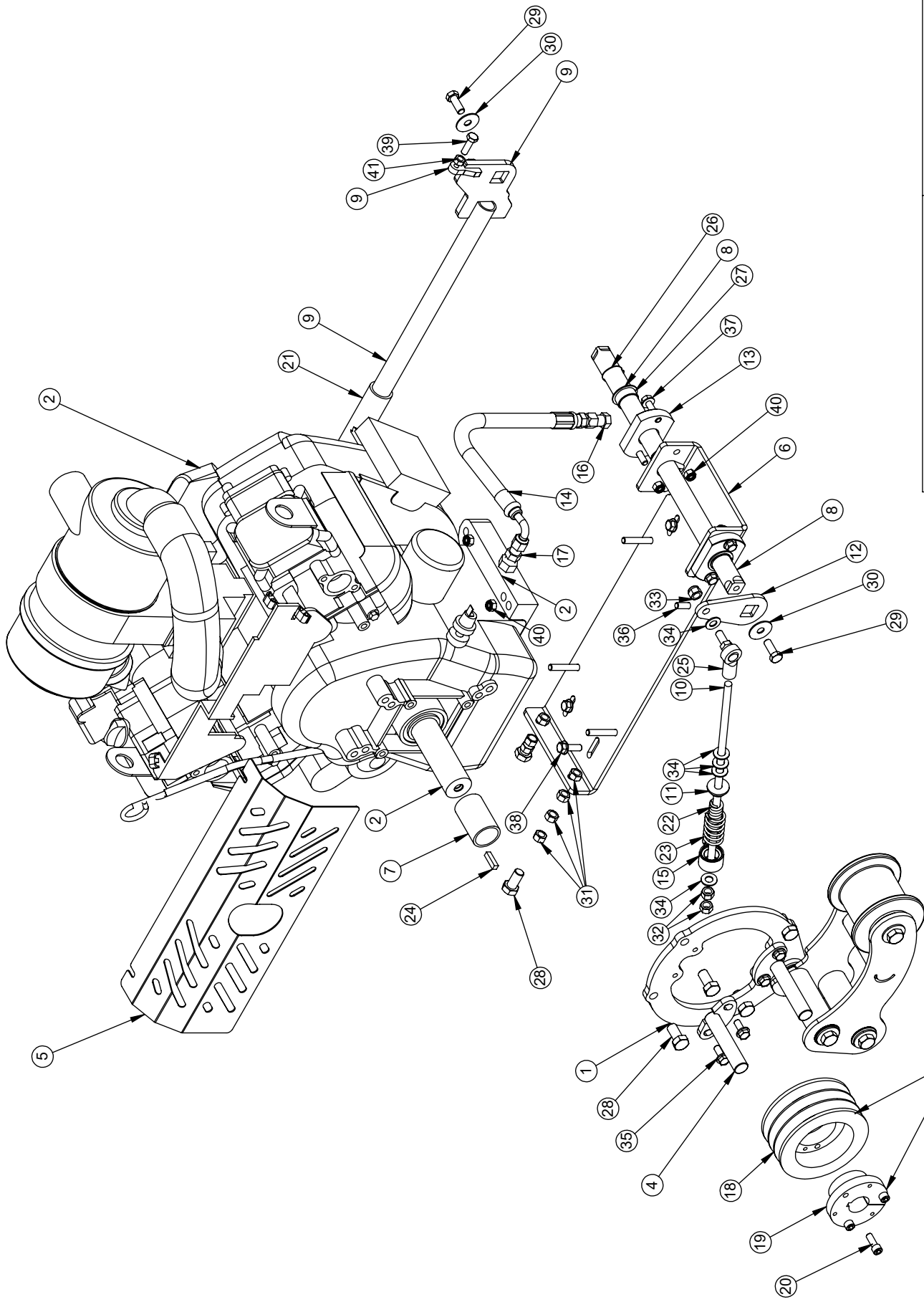
NOTE: FOR A COMPLETE DRIVE PULLEY ORDER 0310-0010 INCLUDES, DRIVE PULLEY SHEAVE & BUSHING, & (3) BOLTS 05407  
DRIVE PULLEY BUSHING INCLUDES (3) BOLTS 05407



# BARRETO

TITLE: BRIGGS & STRATTON 31HP ASSEMBLY  
 PRODUCT LINE: CMS DATE: 7/20/16  
 SCALE: 1:6 DWG# 004CMS BRIGGS  
 SHEET 1 OF 2



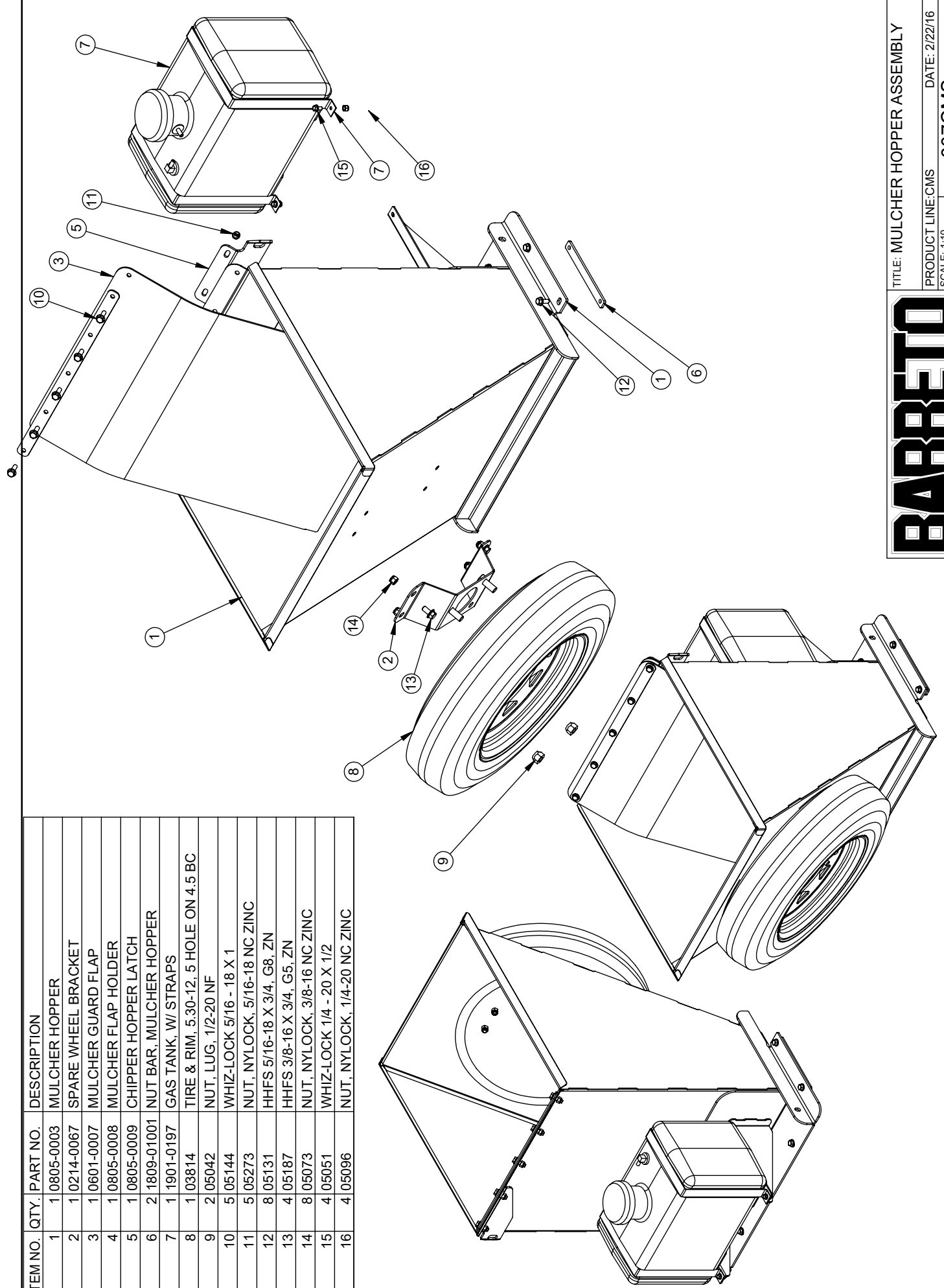


TITLE: BRIGGS & STRATTON 31HP ASSEMBLY  
 PRODUCT LINE: CMS DATE: 7/20/16  
 SCALE: 1:7 DWG#: 004CMS BRIGGS  
 SHEET 2 OF 2



SEE REMOVAL & INSTALLATION INSTRUCTIONS  
 IN OWNERS MANUAL

ITEM NO.	QTY.	PART NO.	DESCRIPTION
1	1	0805-0003	MULCHER HOPPER
2	1	0214-0067	SPARE WHEEL BRACKET
3	1	0601-0007	MULCHER GUARD FLAP
4	1	0805-0008	MULCHER FLAP HOLDER
5	1	0805-0009	CHIPPER HOPPER LATCH
6	2	1809-01001	NUT BAR, MULCHER HOPPER
7	1	1901-0197	GAS TANK, W/ STRAPS
8	1	03814	TIRE & RIM, 5.30-12, 5 HOLE ON 4.5 BC
9	2	05042	NUT, LUG, 1/2-20 NF
10	5	05144	WHIZ-LOCK 5/16 - 18 X 1
11	5	05273	NUT, NYLOCK, 5/16-18 NC ZINC
12	8	05131	HHFS 5/16-18 X 3/4, G8, ZN
13	4	05187	HHFS 3/8-16 X 3/4, G5, ZN
14	8	05073	NUT, NYLOCK, 3/8-16 NC ZINC
15	4	05051	WHIZ-LOCK 1/4 - 20 X 1/2
16	4	05096	NUT, NYLOCK, 1/4-20 NC ZINC



# BARRETO

TITLE: MULCHER HOPPER ASSEMBLY

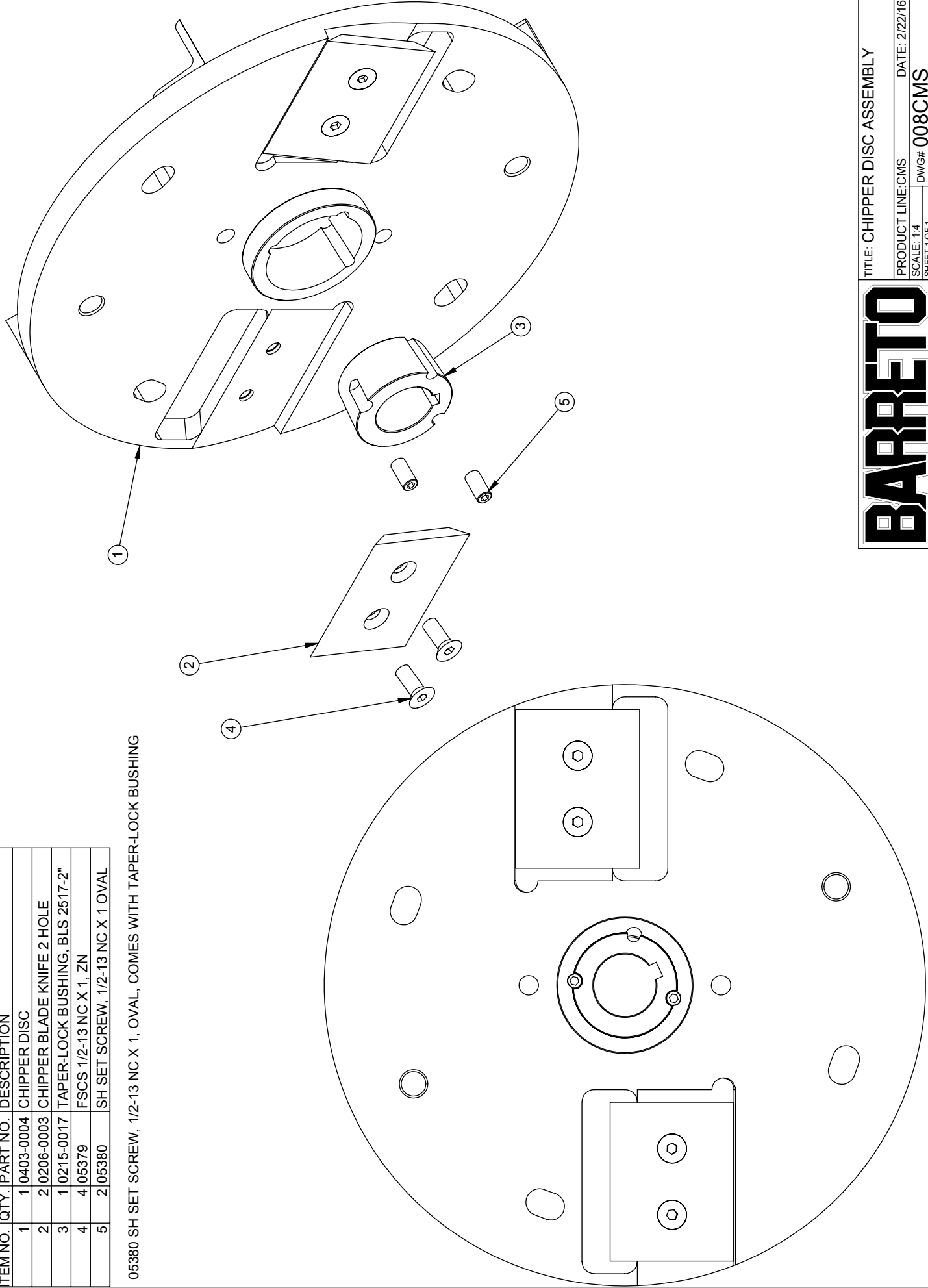
PRODUCT LINE: CMS      DATE: 2/22/16

SCALE: 1:10

SHEET 1 OF 1      DWG# 007CMS

ITEM NO.	QTY.	PART NO.	DESCRIPTION
1	1	0403-0004	CHIPPER DISC
2	2	0206-0003	CHIPPER BLADE KNIFE 2 HOLE
3	1	0215-0017	TAPER-LOCK BUSHING, BLS 2517-2"
4	4	05379	FSCS 1/2-13 NC X 1, ZN
5	2	05380	SH SET SCREW, 1/2-13 NC X 1 OVAL

05380 SH SET SCREW, 1/2-13 NC X 1, OVAL, COMES WITH TAPER-LOCK BUSHING



TITLE: CHIPPER DISC ASSEMBLY

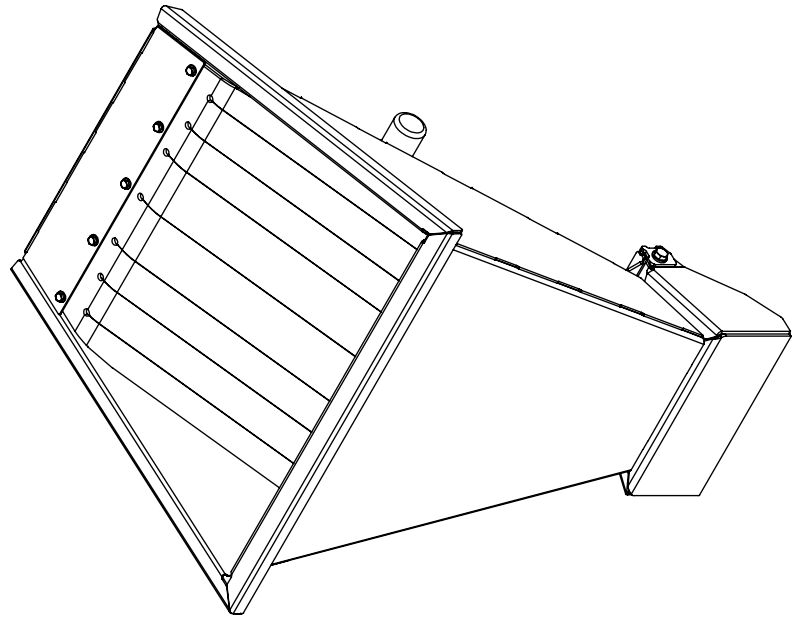
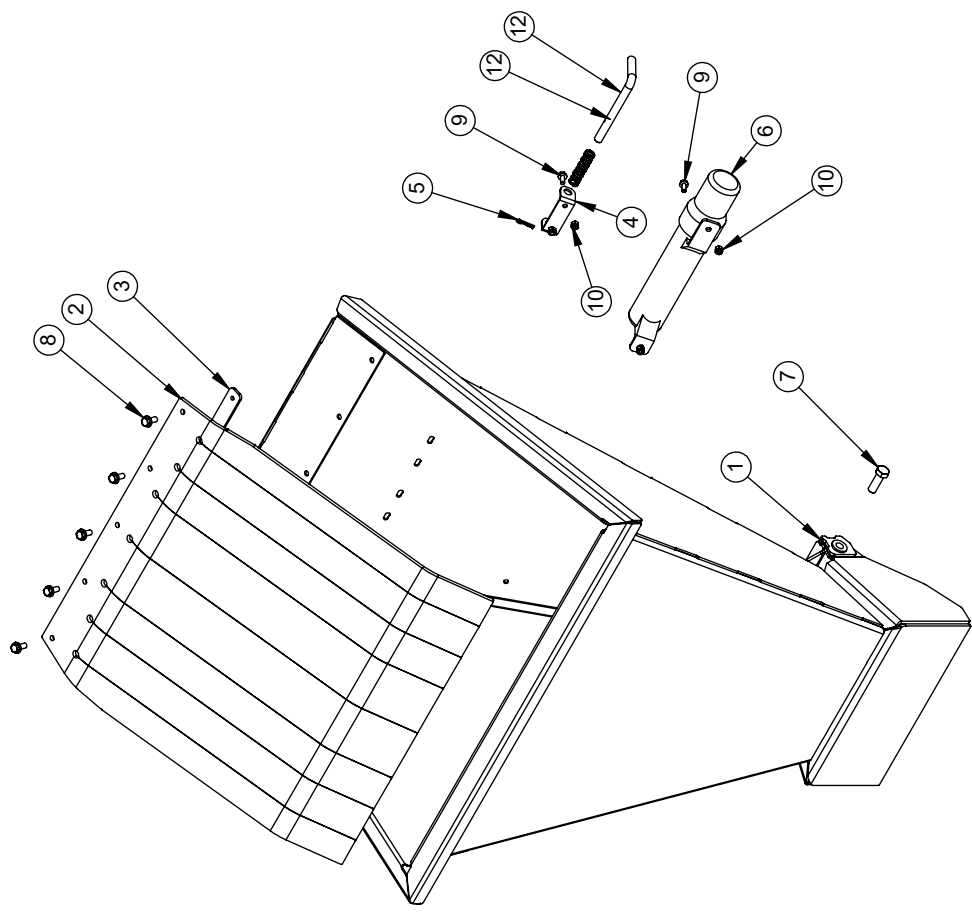
PRODUCT LINE: CMS DATE: 2/22/16

SCALE: 1:4 DWG# 008CMS

SHEET 1 OF 1

**BARRETO**

ITEM NO.	QTY.	PART NO.	DESCRIPTION
1	1	0805-0006	CHIPPER HOPPER
2	1	0601-0002	CHIPPER GUARD FLAP
3	1	0805-0007	HOPPER FLAP HOLDER
4	1	0805-0010	PIN MOUNT
5	1	03065	HAIR SPRING COTTER #4
6	1	12090	INSTRUCTION CANISTER
7	2	05300-01	HH CAP SCREW, 1/2-13 NC X 1-1/2 G5 ZINC
8	5	05140	WHIZ-LOCK 5/16 - 18 X 3/4
9	4	05069	WHIZ LOCK, 1/4-20 NC X 5/8 ZINC
10	4	05096	NUT, NYLOCK, 1/4-20 NC ZINC
11	2	16136	FEED PIVOT BUSHING
12	1	16134	HOPPER PIN
13	1	CENTURY SPRING 10522	



# BARRETO

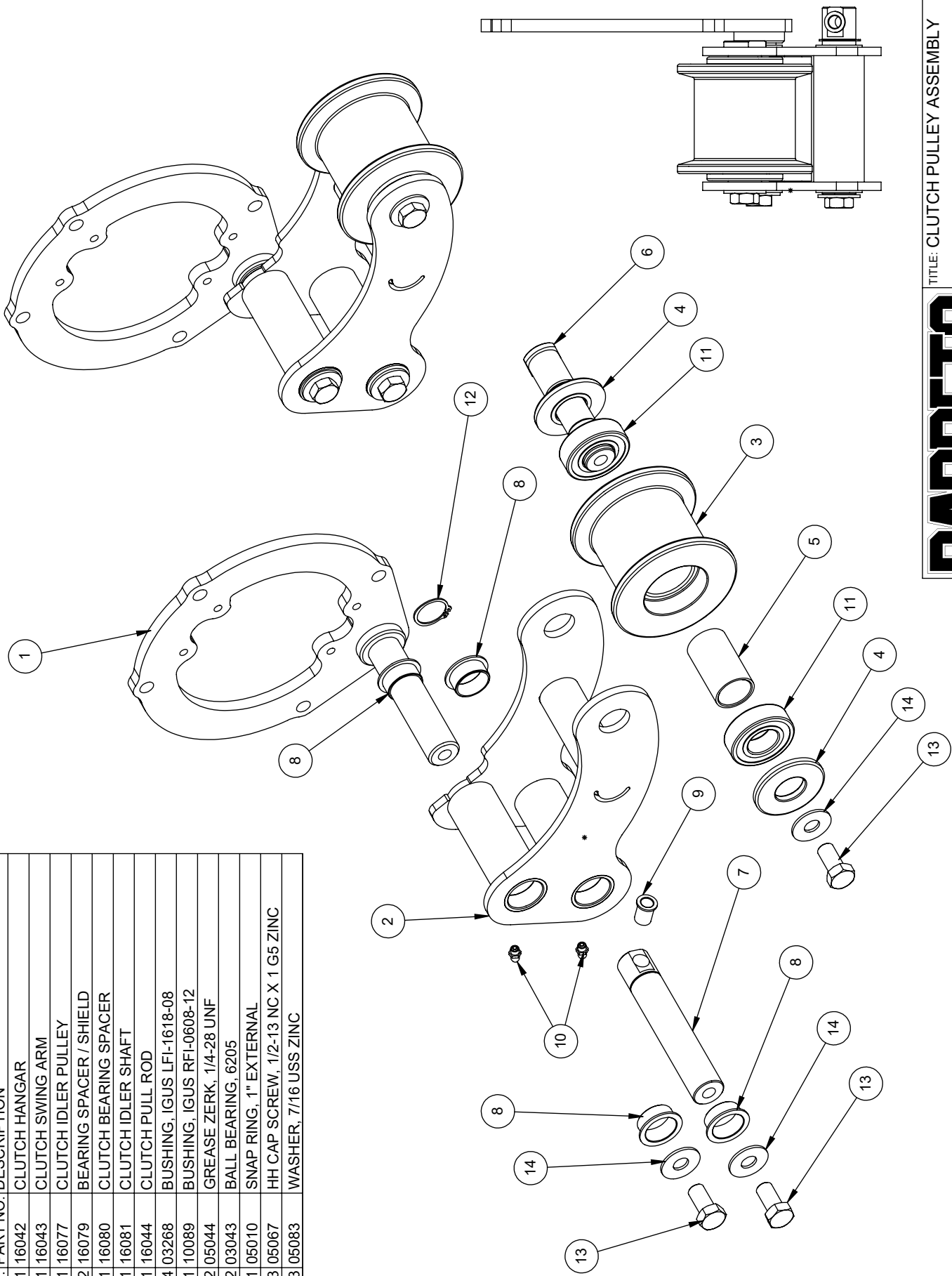
TITLE: CHIPPER HOPPER ASSEMBLY

PRODUCT LINE: CMS DATE: 6/22/16

SCALE: 1:12 DWG# 009CMS

SHEET 1 OF 1

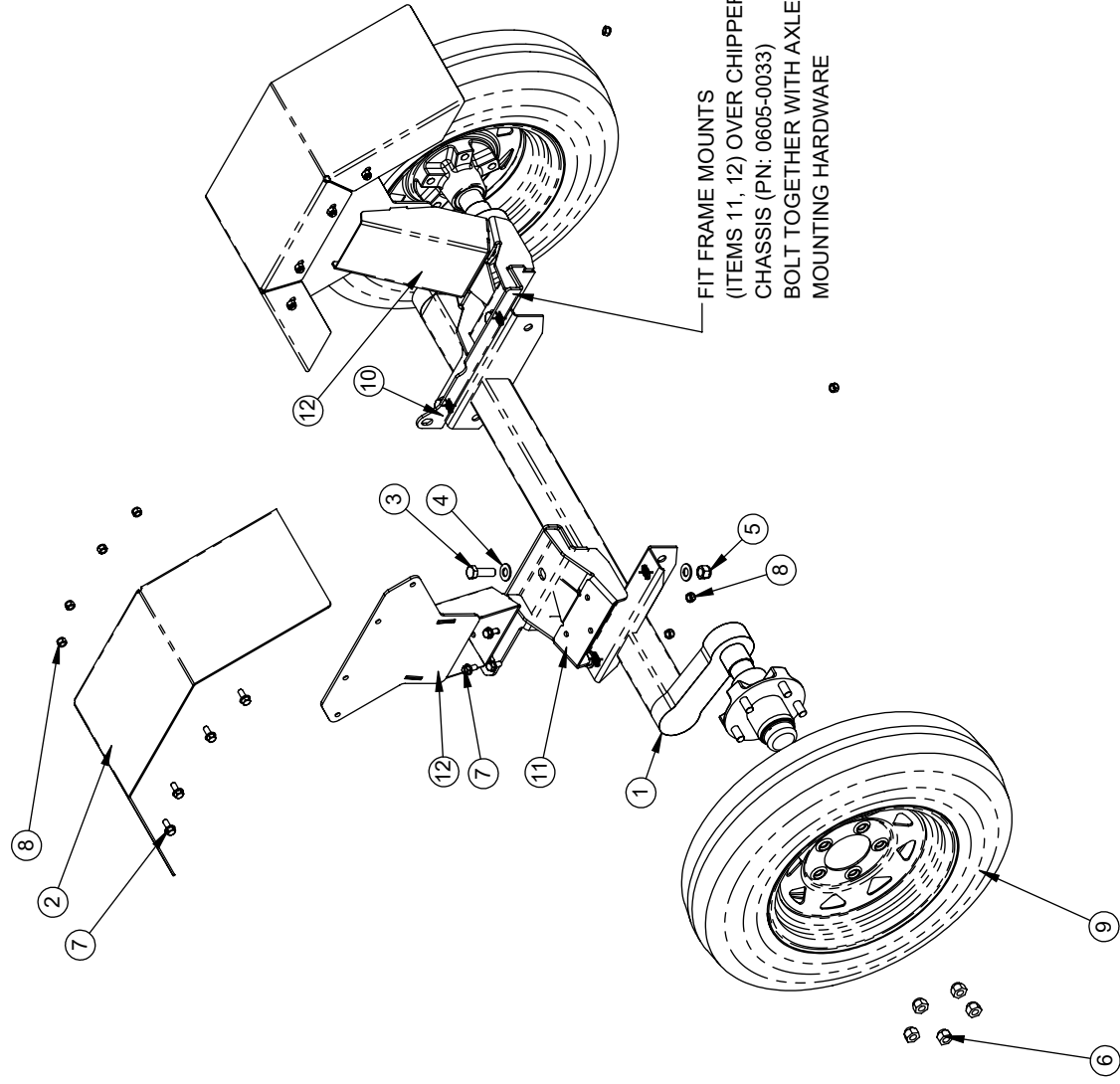
ITEM NO.	QTY.	PART NO.	DESCRIPTION
1	1	16042	CLUTCH HANGAR
2	1	16043	CLUTCH SWING ARM
3	1	16077	CLUTCH IDLER PULLEY
4	2	16079	BEARING SPACER / SHIELD
5	1	16080	CLUTCH BEARING SPACER
6	1	16081	CLUTCH IDLER SHAFT
7	1	16044	CLUTCH PULL ROD
8	4	03268	BUSHING, IGUS LFI-1618-08
9	1	10089	BUSHING, IGUS RFI-0608-12
10	2	05044	GREASE ZERK, 1/4-28 UNF
11	2	03043	BALL BEARING, 6205
12	1	05010	SNAP RING, 1" EXTERNAL
13	3	05067	HH CAP SCREW, 1/2-13 NC X 1 G5 ZINC
14	3	05083	WASHER, 7/16 USS ZINC



# BARRETO

TITLE: CLUTCH PULLEY ASSEMBLY  
 PRODUCT LINE: CMS    DATE: 3/2/16  
 SCALE: 1:4    DWG#: 0012CMS  
 SHEET 1 OF 1

ITEM NO.	QTY.	PART NO.	DESCRIPTION
1	1	0103-0003	AXLE
2	2	16107	FENDER
3	4	05300-01	HH CAP SCREW, 1/2-13 NC X 1-1/2 G5 ZINC
4	8	05102	WASHER, 1/2 SAE ZINC HARDENED
5	4	05098	NUT, NYLOCK, 1/2-13 NC ZINC
6	10	05042	NUT, LUG, 1/2-20 NF
7	14	05131	HHFS 5/16-18 X 3/4, G8, ZN
8	14	05273	NUT, NYLOCK, 5/16-18 NC ZINC
9	2	03814	TIRE & RIM, 5.30-12, 5 HOLE ON 4.5 BC
10	1	16153R	FRAME MOUNT, RIGHT
11	1	16153L	FRAME MOUNT, LEFT
12	2	16154	FENDER MOUNT



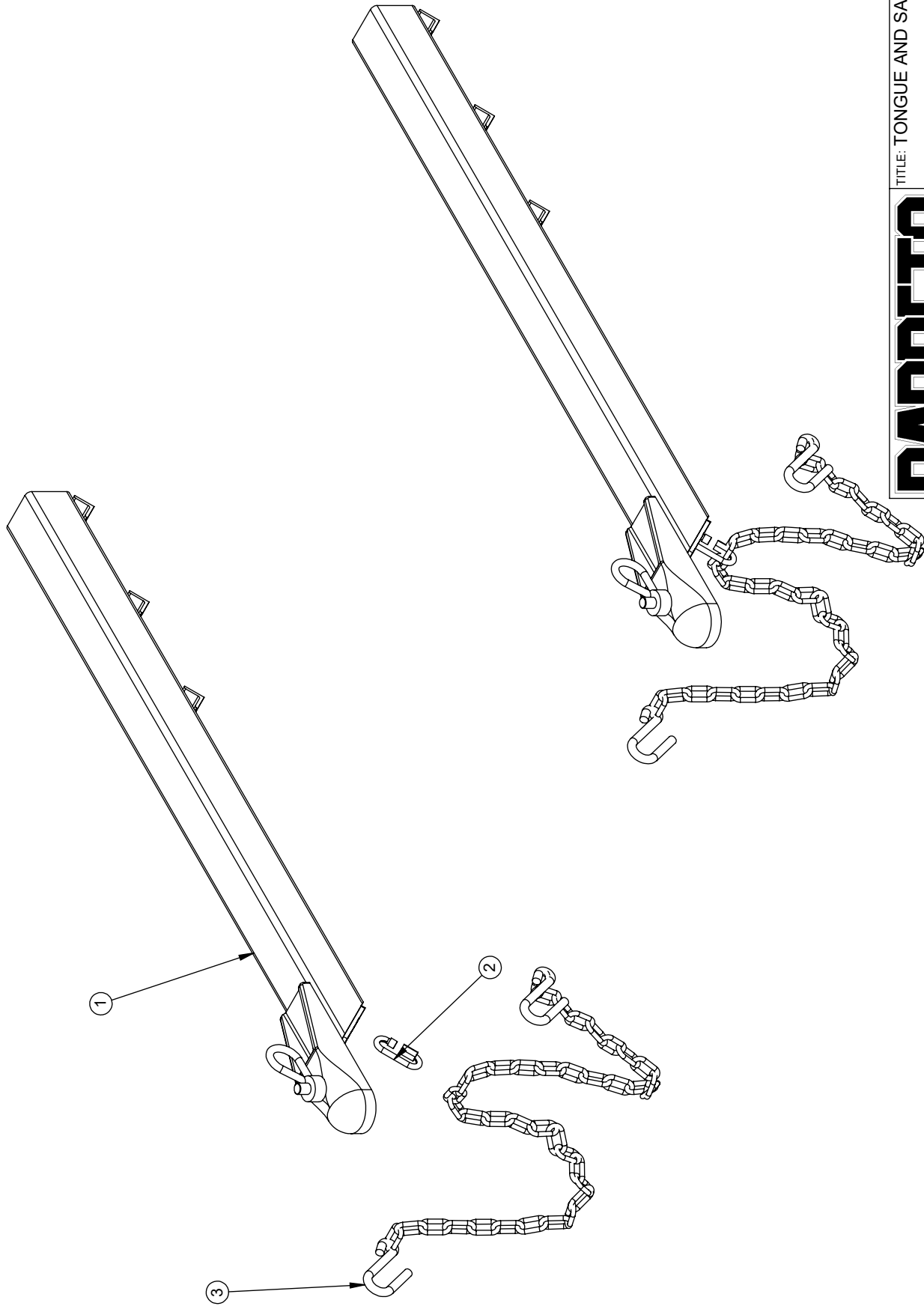
# BARRETO

TITLE: AXLE ASSEMBLY

PRODUCT LINE: CMS DATE: 3/13/18

SCALE: 1:12 DWG# 0013CMS  
SHEET 1 OF 2

ITEM NO.	QTY.	PART NO.	DESCRIPTION
1	1	0605-0034	TONGUE
2	1	03711	QUICK LINK, 5/16
3	1	08301-1	SAFETY CHAIN, 1/4", 39 LINKS



# BARRETO

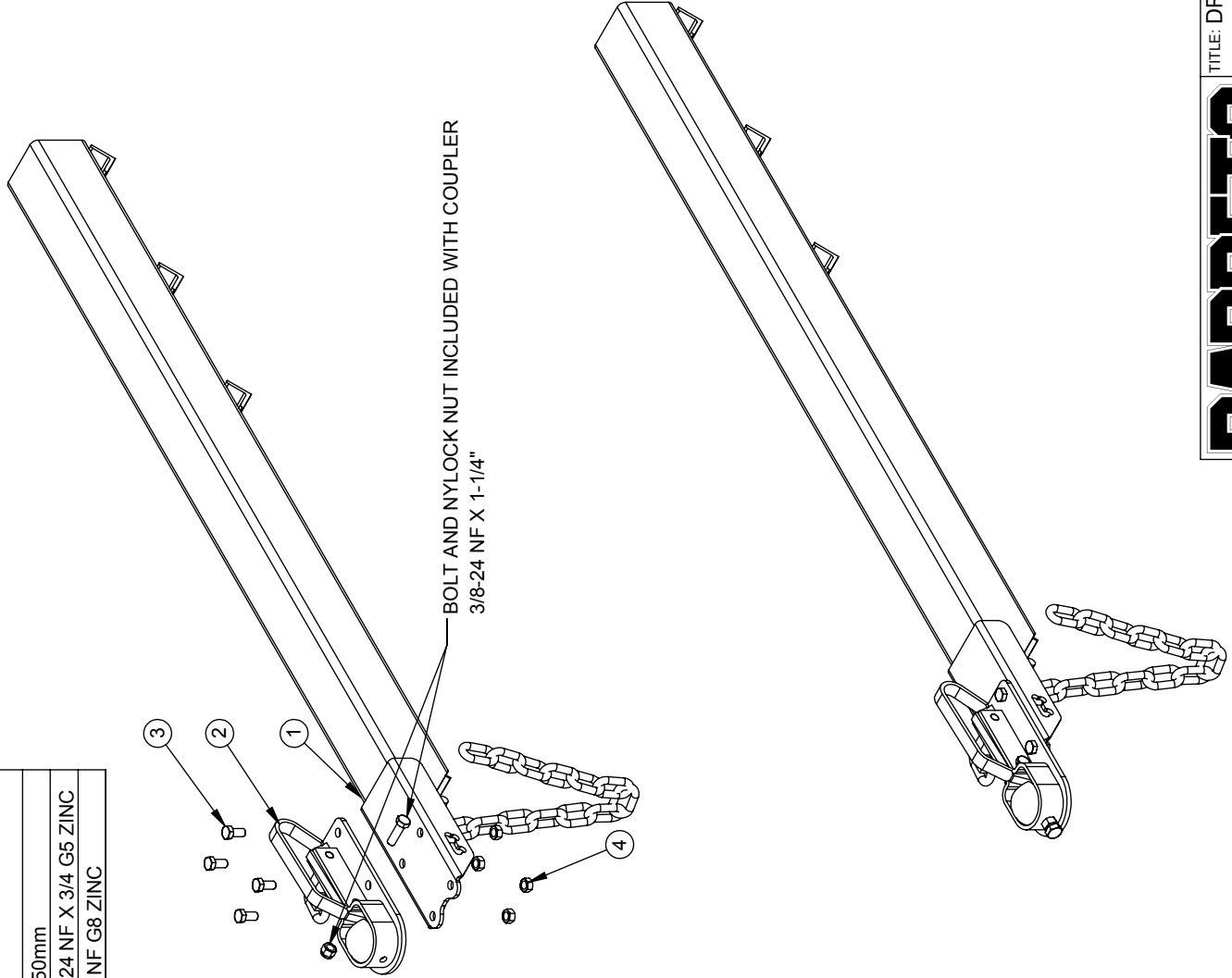
TITLE: TONGUE AND SAFETY CHAIN

PRODUCT LINE: 3104CMS DATE: 2/16/16

SCALE: 1:8 DWG# 0014CMS

SHEET 1 OF 1

ITEM NO.	QTY.	PART NO.	DESCRIPTION
1	1	0605-0034-AUS	DRAW BAR
2	1	CARAC COUPLING	TRAILER COUPLER, 50mm
3	4	05202	HH CAP SCREW, 3/8-24 NF X 3/4 G5 ZINC
4	4	05283	NUT, GRIPCO, 3/8-24 NF G8 ZINC



BOLT AND NYLOCK NUT INCLUDED WITH COUPLER  
3/8-24 NF X 1-1/4"

BOLT & NUT INCLUDED WITH COUPLER  
M10-1.5 x 16mm

# BARRETO

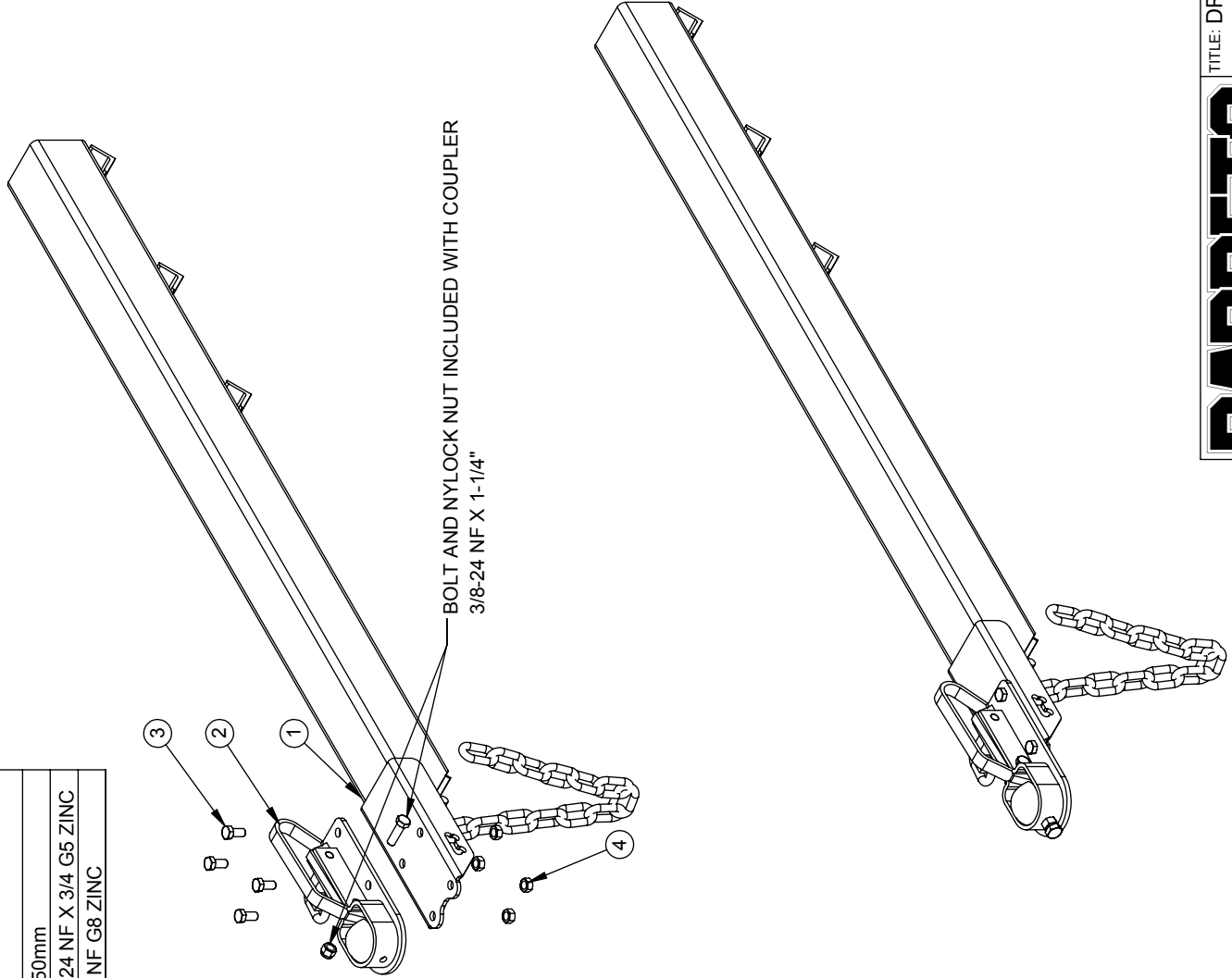
TITLE: DRAW BAR & COUPLER

PRODUCT LINE: CMS100 DATE: 2/16/16

SCALE: 1:8 DWG# 0015CMS  
SHEET 1 OF 1



ITEM NO.	QTY.	PART NO.	DESCRIPTION
1	1	0605-0034-AUS	DRAW BAR
2	1	CARAC COUPLING	TRAILER COUPLER, 50mm
3	4	05202	HH CAP SCREW, 3/8-24 NF X 3/4 G5 ZINC
4	4	05283	NUT, GRIPCO, 3/8-24 NF G8 ZINC



BOLT & NUT INCLUDED WITH COUPLER  
M10-1.5 x 16mm

BOLT AND NYLOCK NUT INCLUDED WITH COUPLER  
3/8-24 NF X 1-1/4"

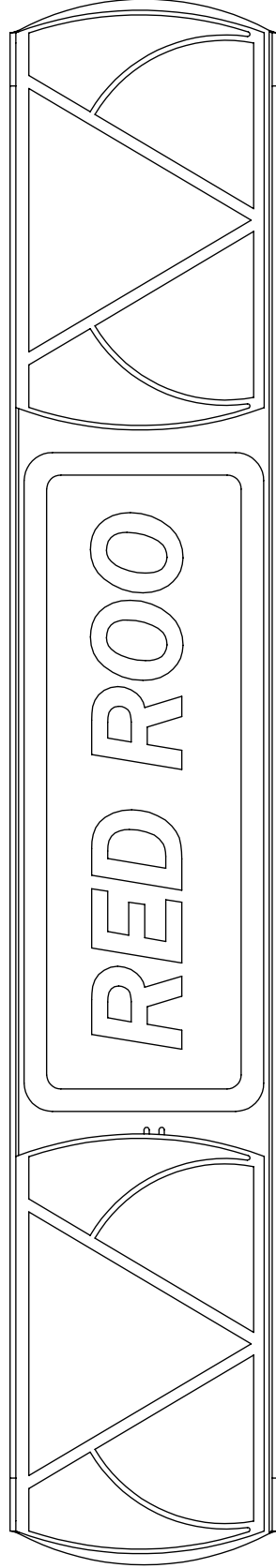
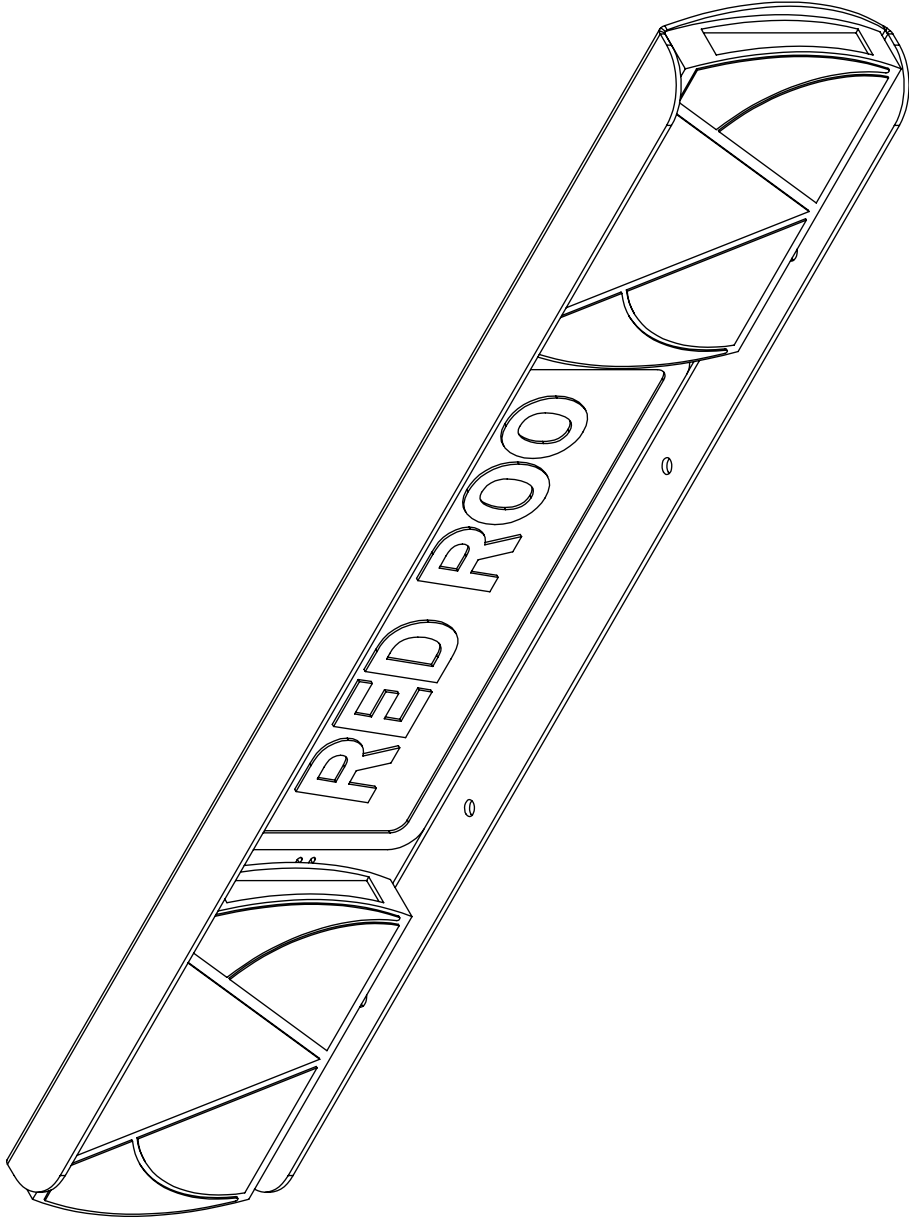
# BARRETO

TITLE: DRAW BAR & COUPLER

PRODUCT LINE: CMS100 DATE: 2/16/16

SCALE: 1:8 DWG# 0015CMS  
SHEET 1 OF 1

ITEM NO.	QTY.	PART NO.	DESCRIPTION
1	1	11105-0004	LICENSE / TAIL LIGHT BRACKET



TITLE: RED ROO LICENSE PLATE

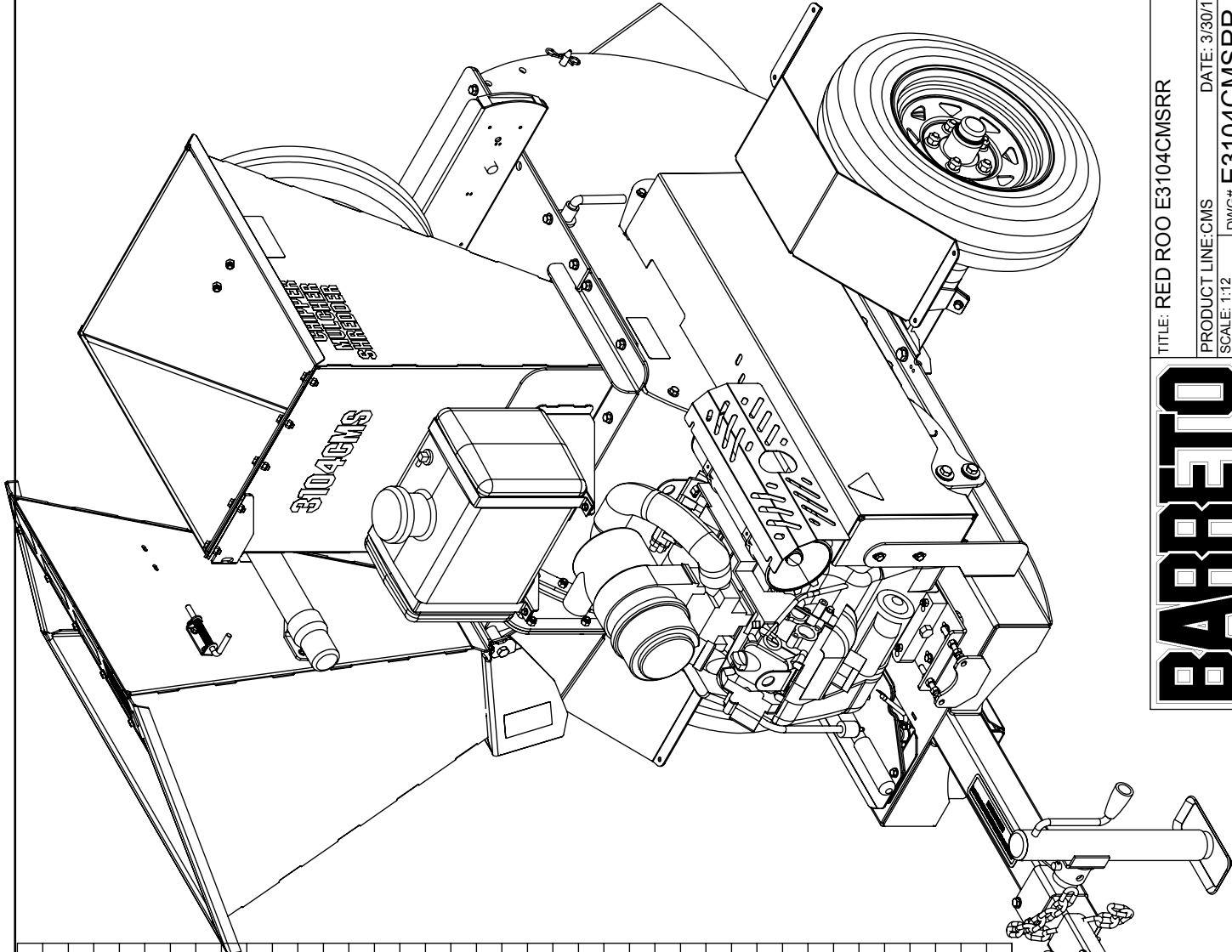
**BARRETO**

PRODUCT LINE: CMS DATE: 2/22/16

SCALE: 1:4 DWG# 005CMS

SHEET 1 OF 1

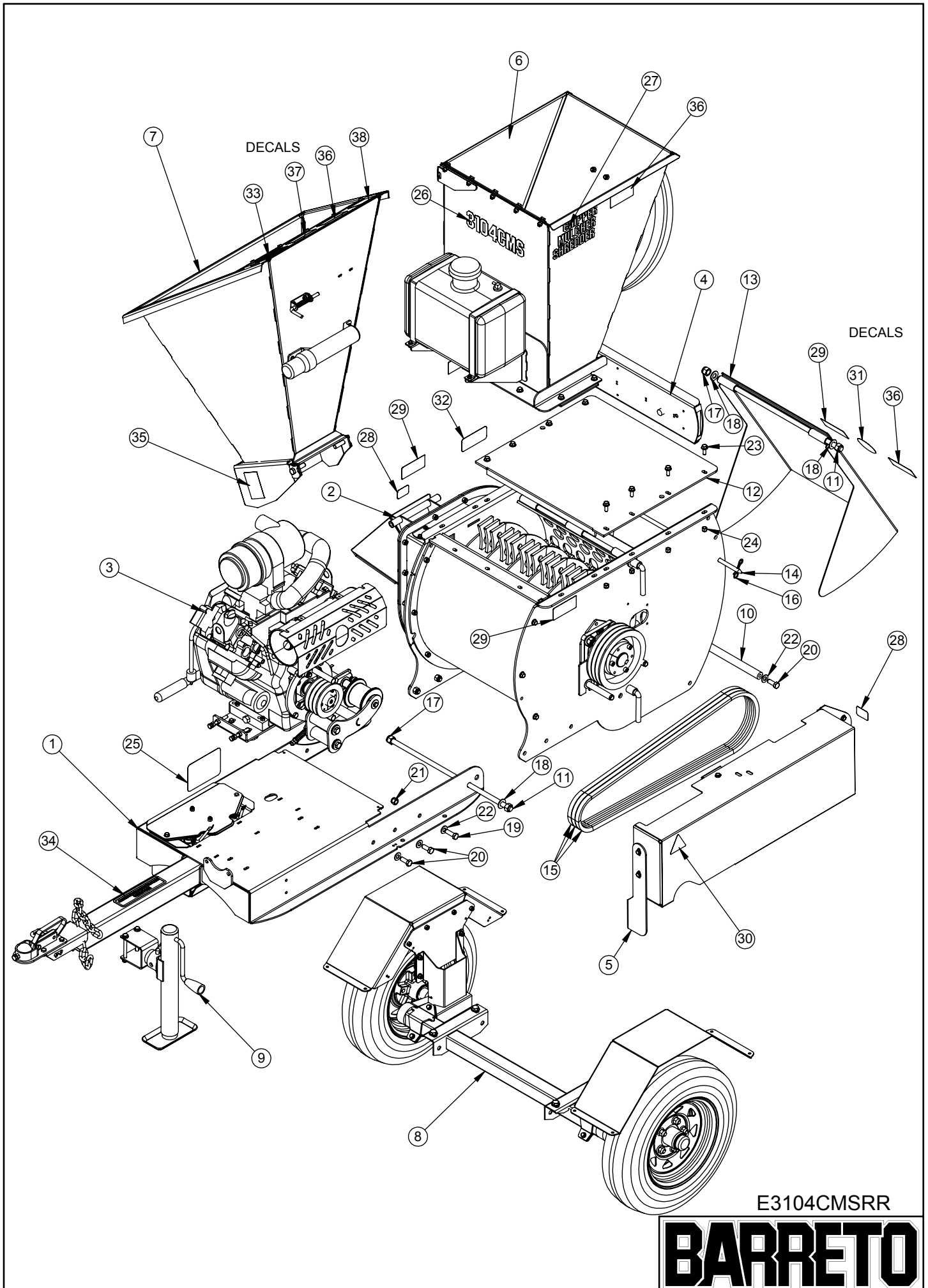
ITEM NO.	QTY.	PART NO.	DESCRIPTION
1	1	001CMSRR	CHASSIS ASSEMBLY RED ROO
2	1	002CMS	MAIN BODY ASSEMBLY
3	1	004CMS BRIGGS	BRIGGS & STRATTON 31HP ASSEMBLY
4	1	005CMS	RED ROO LICENSE PLATE
5	1	006CMS	BELT GUARD ASSEMBLY
6	1	007CMS	MULCHER HOPPER ASSEMBLY
7	1	009CMS	CHIPPER HOPPER ASSEMBLY
8	1	0013CMSRR	AXLE ASSEMBLY
9	1	00339	SWIVEL JACK KIT, 9/16 PIN
10	1	1913-0033	REAR SPACER SHAFT
11	2	1808-0022	SCROLL TIE ROD
12	1	0314-0006	TOP COVER PLATE
13	1	0601-0009	REAR FLAP
14	1	1808-0024	L PIN, REAR FLAP
15	3	1902-00349	CHIPPER V-BELT
16	1	05376	BOW TIE COTTER, 1/2" SHAFT
17	2	05344	NUT, NYLOCK, 5/8-18 NF ZINC
18	3	05272	WASHER, 5/8 SAE ZINC HARDENED
19	2	05300-01	HH CAP SCREW, 1/2-13 NC X 1-1/2 G5 ZINC
20	6	05323	HH CAP SCREW, 1/2-13 NC X 1-1/4 G5 ZINC
21	6	05098	NUT, NYLOCK, 1/2-13 NC ZINC
22	8	05102	WASHER, 1/2 SAE ZINC HARDENED
23	8	05377	HHFS 3/8-16 X 1, G5, ZN
24	8	05073	NUT, NYLOCK, 3/8-16 NC ZINC
25	1	03096-02	CLUTCH INSTRUCTION DECAL
26	1	03096-03	DECAL "3104CMS"
27	1	03096-04	DECAL "CHIPPER MULCHER SHREDDER"
28	2	03040-04	DECAL, "GREASE DAILY"
29	3	03096-05	DECAL, WARNING, CRUSH AND CUT
30	1	03096-07	DECAL "HOT SURFACE"
31	1	03096-08	DECAL "DO NOT STAND"
32	1	03096-09	DECAL: "TOW WITH REAR FLAP..."
33	1	03096-10	DECAL "TOW WITH CHIPPER HOPPER..."
34	1	03096-11	DECAL: "BEFORE TOWING"
35	1	04451-11	DECAL "PINCH POINT"
36	4	03096-13	DECAL: "DANGER, ROTATING CUTTER"
37	1	03096-14	DECAL: "WARNING: READ OPERATOR MANUAL"
38	1	04451-SYMBOLS	DECAL "PPE SYMBOLS"



# BARRETO

TITLE: RED ROO E3104CMSRR

PRODUCT LINE:CMS  
 SCALE: 1:12  
 SHEET 3 OF 4  
 DATE: 3/30/16  
 DWG# E3104CMSRR



E3104CMSRR

**BARRETO**