
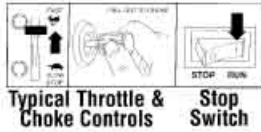


4) IGNITION: Must be in "ON" position to start. "OFF" to stop.

5)  Open fuel shut-off valve; if engine is equipped. Move choke control to CHOKE or START position. Note: Choke must fully close. Move throttle control to RUN or FAST position. If engine is equipped with rocker style stop switch, push RUN or I (I = Ignition) before starting. Rewind Starter: Grasp rope handle and pull slowly until resistance is felt to prevent kickback. Then pull cord rapidly to overcome compression, and start engine. Repeat if necessary with choke off and throttle control in FAST position. Operate engine in FAST position.



NOTE: The control bar is designed as a safety feature. The engine will not start or operate without depressing the control bar. See Figure 1 (next page).

6) Push the stump grinder to the stump, position the grinding disc over the front edge of the stump.

7) Set the wheel brake on the right hand side of the stump grinder and adjust the handle position to achieve better leverage depending on the height of the stump.

8) Use the throttle to gradually bring the engine RPM's up to full **while lifting the grinding disc off the ground.**

9) Slowly lower the stump grinder until the grinding disc comes in contact with the stump. Move the stump grinder back and forth in a long, slow sweeping motion. Maintain the same elevation until a section has been removed, then lower the stump grinder to take out the next section.

NOTE: Constant build up of grinding debris may inhibit the stump grinder from performing effectively. To help assure safe, effective and efficient working results, keep the working area raked level and free of grinding debris.

NOTE: Make sure disc has stopped completely before clearing debris

10) When the front part of the stump has been removed, release the brake and push the stump grinder forward to a new edge.

NOTE: For better performance and to avoid excessive clutch wear, run the engine at full throttle during operation.



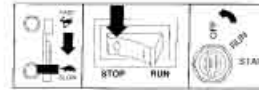
WARNING! – Keep hands and feet clear of the Grinding Disc and grinding zone and other moving parts while engine is running.



WARNING! – In case of difficulty, release the Operator Presence Control Bar. This action will shut down the engine .


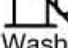
11) After stump has been removed use the throttle to gradually bring down the engine RPM's. **Make sure the grinding disc has come to a complete stop before moving the stump grinder.**

12) **Stop Engine:** Do not move choke control to CHOKE position to stop engine. Backfire or engine damage may occur. Move throttle control to SLOW position, then push rocker switch to 0 (STOP), or turn key to OFF, if equipped.



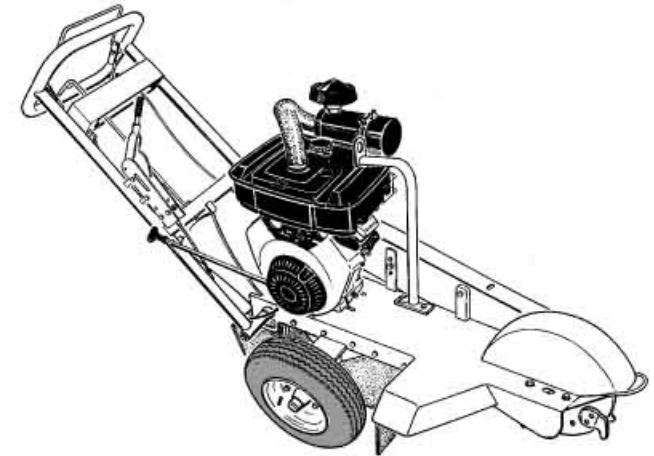
Typical Stop Switches

AFTER USE

- 1)  Turn fuel tap to "OFF" position.
- 2)  Allow machine to cool down. Wash mud and dirt off of the stump grinder. Ensure no water enters the carburettor.
- 3) Remove any weeds, wire, rope, etc. that may have wrapped around the disc grinding shaft assembly.
- 4) **CHECK FOR LOOSE BOLTS ON THE GRINDING DISC.**



SAFETY PRECAUTIONS AND OPERATING INSTRUCTIONS



SG350 STUMP GRINDER

 **REDROO.com**
Commercial Outdoor Power Equipment




SAFETY PRECAUTIONS FOR SG350 USERS



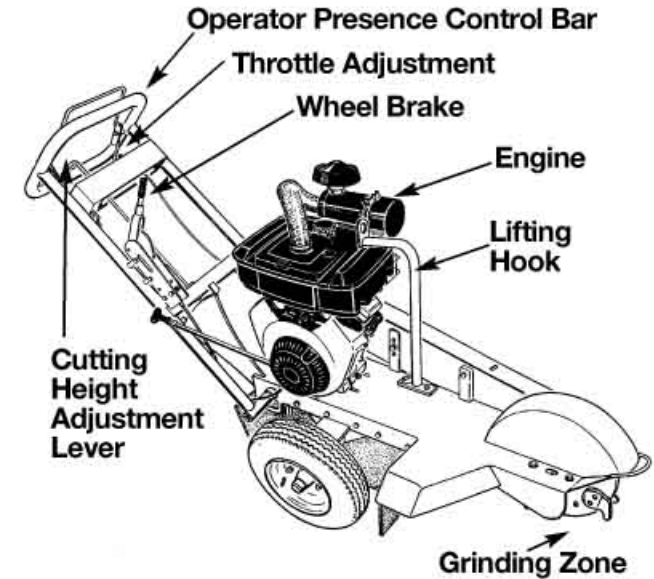
USE COMMON SENSE AND PLENTY OF IT

- 1)  **DO NOT** allow any person to operate the stump grinder without first reading and understanding the safety precautions and operating instructions. **KNOW THE CONTROLS AND HOW TO STOP THE STUMP GRINDER QUICKLY IN AN EMERGENCY.**
- 2) **NEVER** allow children or untrained adults to operate the stump grinder.
- 3) **ALWAYS** wear protective clothing when operating the stump grinder. This includes, but is not limited to; safety glasses, loose fitting gloves, steel capped boots and hearing protection. **NEVER** wear loose fitting clothing or jewellery when operating the stump grinder. Keep all clothing away from moving parts. Items could become caught in the machine, resulting in injury. 
- 4) **ALWAYS** operate the stump grinder in a well lit area.
- 5)  **ALWAYS** operate stump grinder on level ground only. Inspect the immediate area before grinding. Remove any foreign objects in the grinding area eg bricks, rocks, wire and sticks. Locate and mark any sprinkler heads, water pipes, gas lines, electrical and telephone cables or any other hazard either below or above ground.
- 6)  **DO NOT** allow other persons near the stump grinder. It is up to the operator to keep bystanders and animals a minimum of 6 metres (18ft) away from the machine while in operation.
- 7) **NEVER** operate the stump grinder when fatigued. **ALWAYS BE ALERT!** If you get tired while operating the stump grinder, take a break. If you have any type of physical or

mental condition that may be aggravated by strenuous work, check with your physician before you operate this equipment. **NEVER** operate the stump grinder under the influence of medication, alcohol or drugs.



- 8)  **ALWAYS KEEP YOUR HANDS, FEET AND BODY AWAY FROM THE CUTTING AREA WHILE ENGINE IS RUNNING.**
- 9)  **NEVER** operate the stump grinder without the safety guards in place and in working order. Keep the unit well maintained and in good working order
- 10) **DO NOT** leave the machine unattended while the engine is running.
- 11) **DO NOT** overspeed the engine or alter the governor settings. Excessive speed is dangerous and will shorten engine life.
- 12)  **NEVER** operate the stump grinder in an enclosed area. Engine exhaust contains carbon monoxide, an odourless and tasteless poison.
- 13)  **STOP** the engine and disconnect the spark plug lead(s) and allow engine to cool before inspecting or performing maintenance on the stump grinder.
- 14)  **REFUELLING**
 - * Shut off engine. **DO NOT REFUEL AN ENGINE WHILE OPERATING!**
 - * Allow engine to cool; minimum 5 minutes.
 - * **USE UNLEADED FUEL ONLY. Use clean, fresh unleaded fuel.**
 - * **DO NOT** mix oil with unleaded fuel.
 - * **DO NOT** over-fill fuel tank. Allow space for fuel expansion.
 - * **DO NOT** smoke.
 - * Allow no naked flame or hot material in refuelling area.
 - * Use only approved fuel containers and funnels. Remember, fuel is a potential hazard.

“STAY ALERT – DON’T GET HURT”




OPERATING INSTRUCTIONS

BEFORE USE

- 1)  Inspect the immediate area. Remove any foreign objects from the area.
- 2) Identify and mark the location of sprinkler heads, gas pipes, telephone cables, etc.
- 3) Check the fuel and oil level of engine

OPERATION

- 1)  Remove the stump grinder from its carrying vehicle or trailer. Use caution.
- 2) Familiarize yourself with the machine and its controls.
- 3) Manoeuvre the stump grinder to area near the stump to be removed.