

THE  
**BARRETO**

**'MODEL E30SG STUMP GRINDER**  
**EXPLODED VIEWS WITH PART NUMBERS**

CONGRATULATIONS!

You are now the proud owner of a BARRETO stump grinder. The following pages have detailed views of your machine, along with corresponding part numbers. If you have any questions or need any replacement parts in the future, please contact us at your convenience. Our toll-free phone number, fax and email are listed below and parts may be ordered through any of these methods.

Thank you for your patronage and confidence in BARRETO equipment.

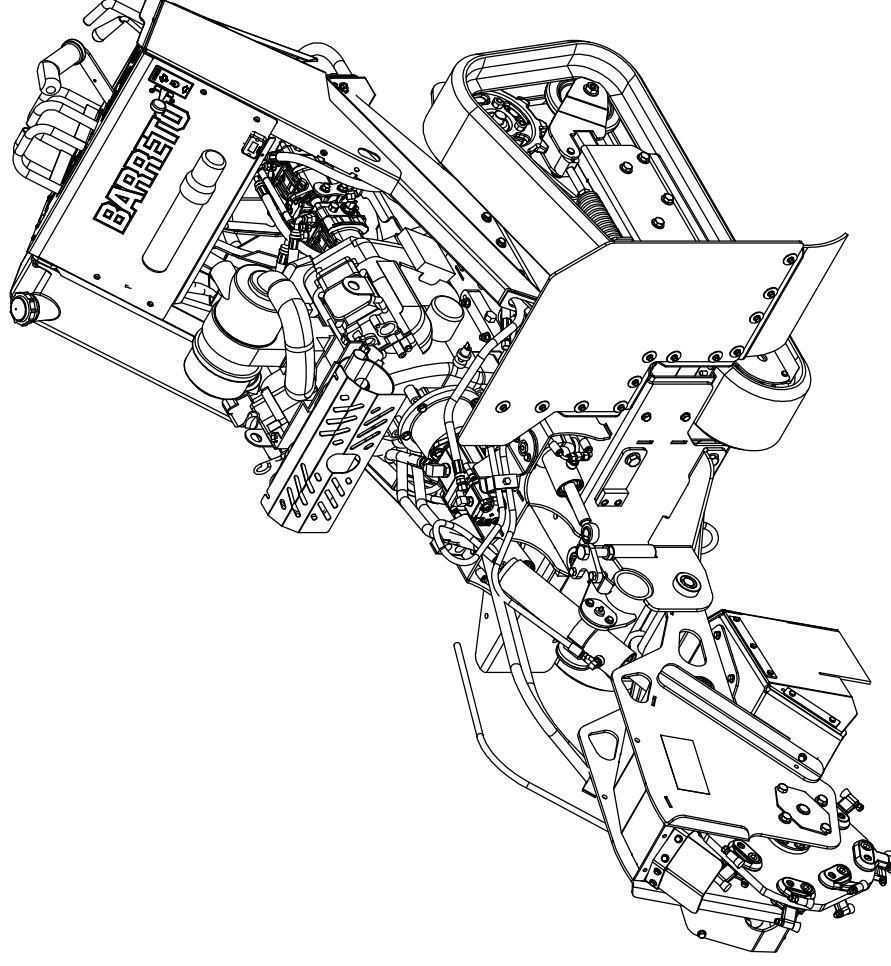
Barreto Manufacturing, Inc.  
Innovative Equipment Engineered to Last  
66498 Highway 203  
La Grande, OR 97850  
1-800-525-7348  
1-541-963-6755 Fax  
E-Mail: [info@barretomfg.com](mailto:info@barretomfg.com)  
Web Site: <http://www.barretomfg.com>

U.S. Patent No. 10,260,567

Machine Identification Record

BARRETO Customer number \_\_\_\_\_  
Machine model number \_\_\_\_\_  
Machine serial number \_\_\_\_\_  
Engine manufacturer \_\_\_\_\_  
Engine model number \_\_\_\_\_  
Engine serial number \_\_\_\_\_

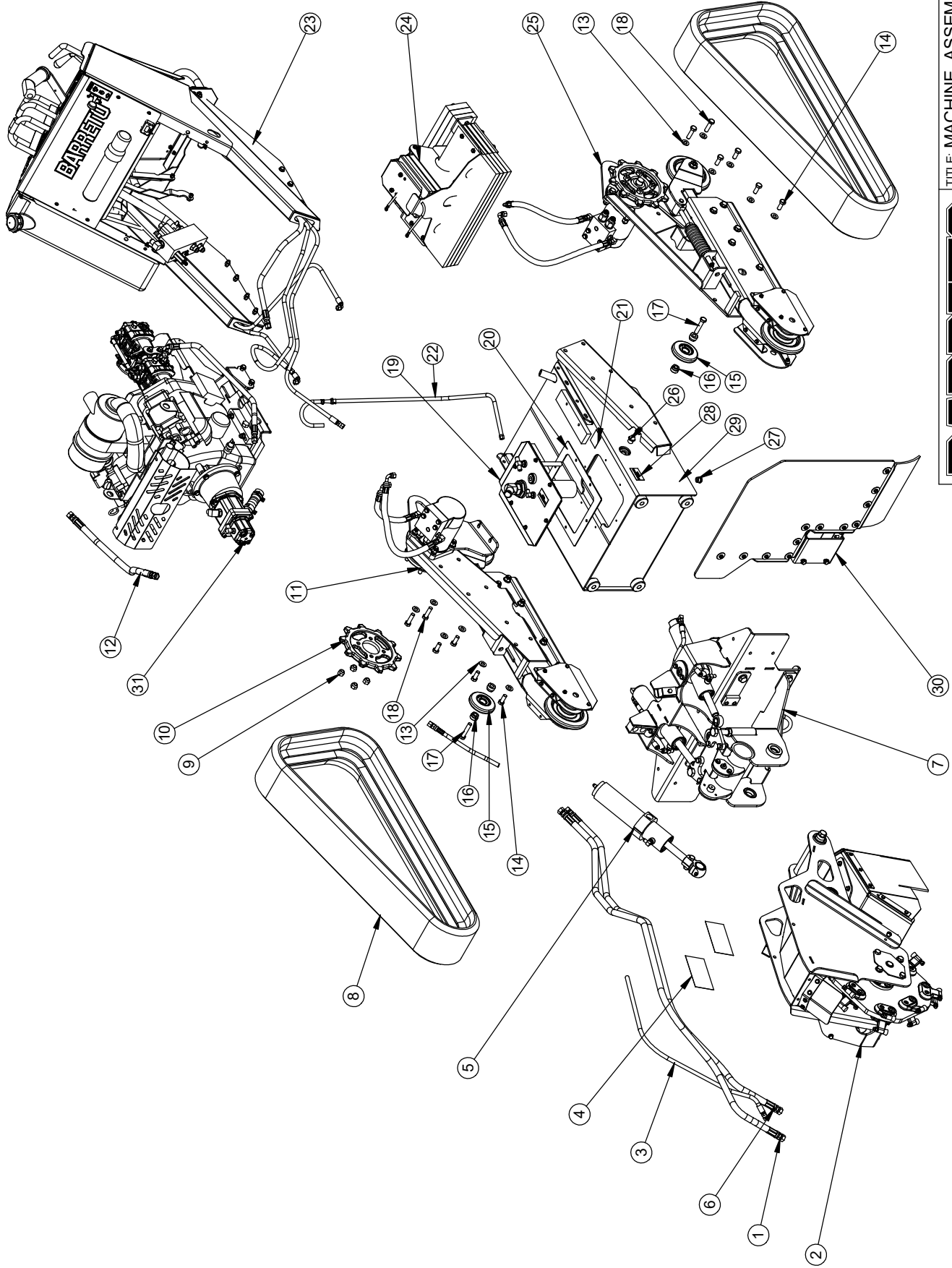
ITEM NO.	QTY.	PART NO.	DESCRIPTION
1	1	12364CP	HOSE, VALVE MID / MOTOR FRONT
2	1	100536	CUTTER HEAD ASSEMBLY
3	1	12385CP	HOSE, CASE DRAIN
4	2	04451-04	DECAL, "30-SG"
5	1	00537	CYLINDER ASSEMBLY
6	1	12365CP	HOSE, VALVE LOWER / MOTOR REAR
7	1	00535	PIVOT HEAD
8	2	10964	TRACK, 180 X 36 X 72
9	8	05042	NUT, LUG, 1/2-20 NF
10	2	10874	TRACK SPROCKET
11	1	00334-SG	CARRIAGE, RIGHT
12	1	12358T	HOSE, PUMP - CUTTER VALVE
13	13	05102	WASHER, 1/2 SAE ZINC HARDENED
14	8	05323	HH CAP SCREW, 1/2-13 NC X 1-1/4 G5 ZINC
15	2	00366	MID ROLLER ASSY
16	4	11155	ROLLER SPACER, SHORT
17	2	11447	HH CAP SCREW, 1/2-13 NC X 2-1/2 G5 ZN
18	4	05129	HH CAP SCREW, 1/2-13 NC X 1-3/4 G5 ZINC
19	1	00499CP	LID ASSEMBLY
20	1	11178	LID GASKET
21	1	03341-18	DECAL, S/N, 2WD
22	1	11239	VENT HOSE ASSEMBLY
23	1	00498-0BB	CONTROL ASSEMBLY
24	1	00326	WEIGHT & BATTERY OPTIONS
25	1	00333-SG	CARRIAGE, LEFT
26	1	03503	SIGHT GAUGE
27	1	10361	FITTING, 6409-8 PLUG
28	1	03040-57	DECAL, "HYDRAULIC OIL LEVEL"
29	1	01270S	FRAME, STUMP CUTTER
30	1	00541 R1	CHIP SHIELD
31	1	00390-0BB-BS30	ENGINE / PUMPS ASSEM., B&S 30



RELEASE DATE	XXXXXXXXXX
REVISED DATE	NEW
REVISION #	0

# BARRETO

TITLE:	MACHINE ASSEMBLIES
PRODUCT LINE:	30SG
SCALE:	1:16
SHEET:	1 OF 2
DWG#:	E30SG-0BB



TITLE: MACHINE ASSEMBLIES  
X

PRODUCT LINE: 30SG

DATE:

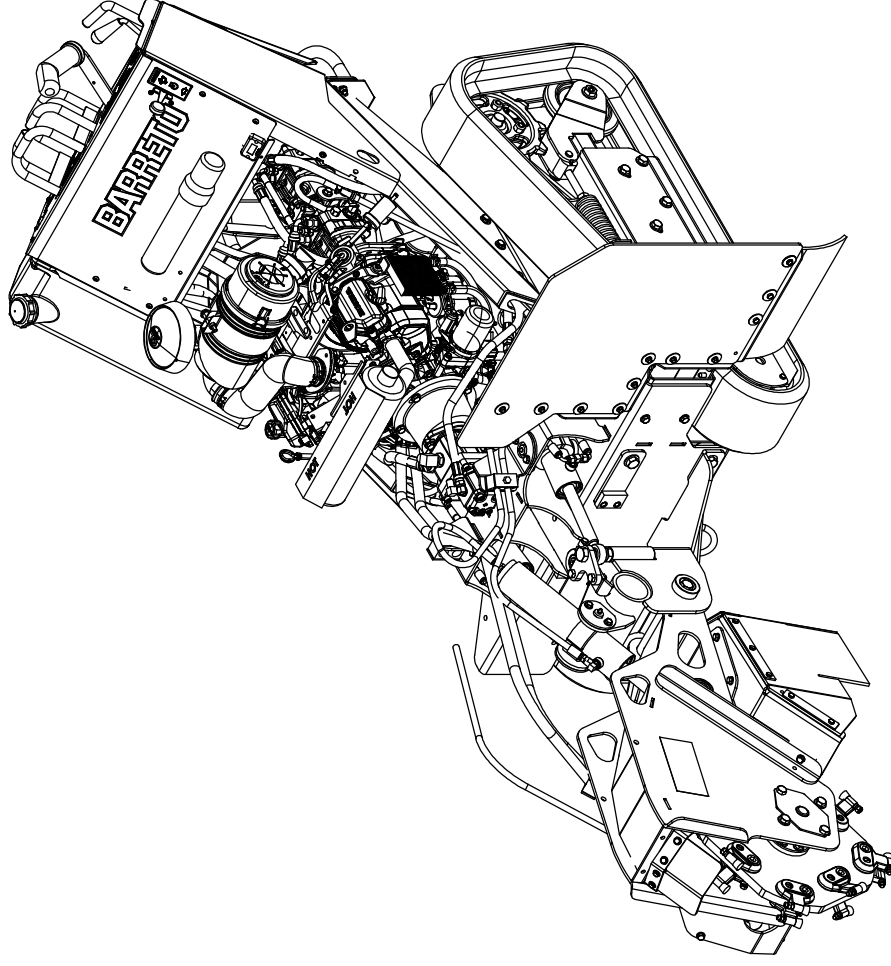
SCALE: 1:20

DWG# E30SG-0BB

SHEET 2 OF 2

# BARRETO

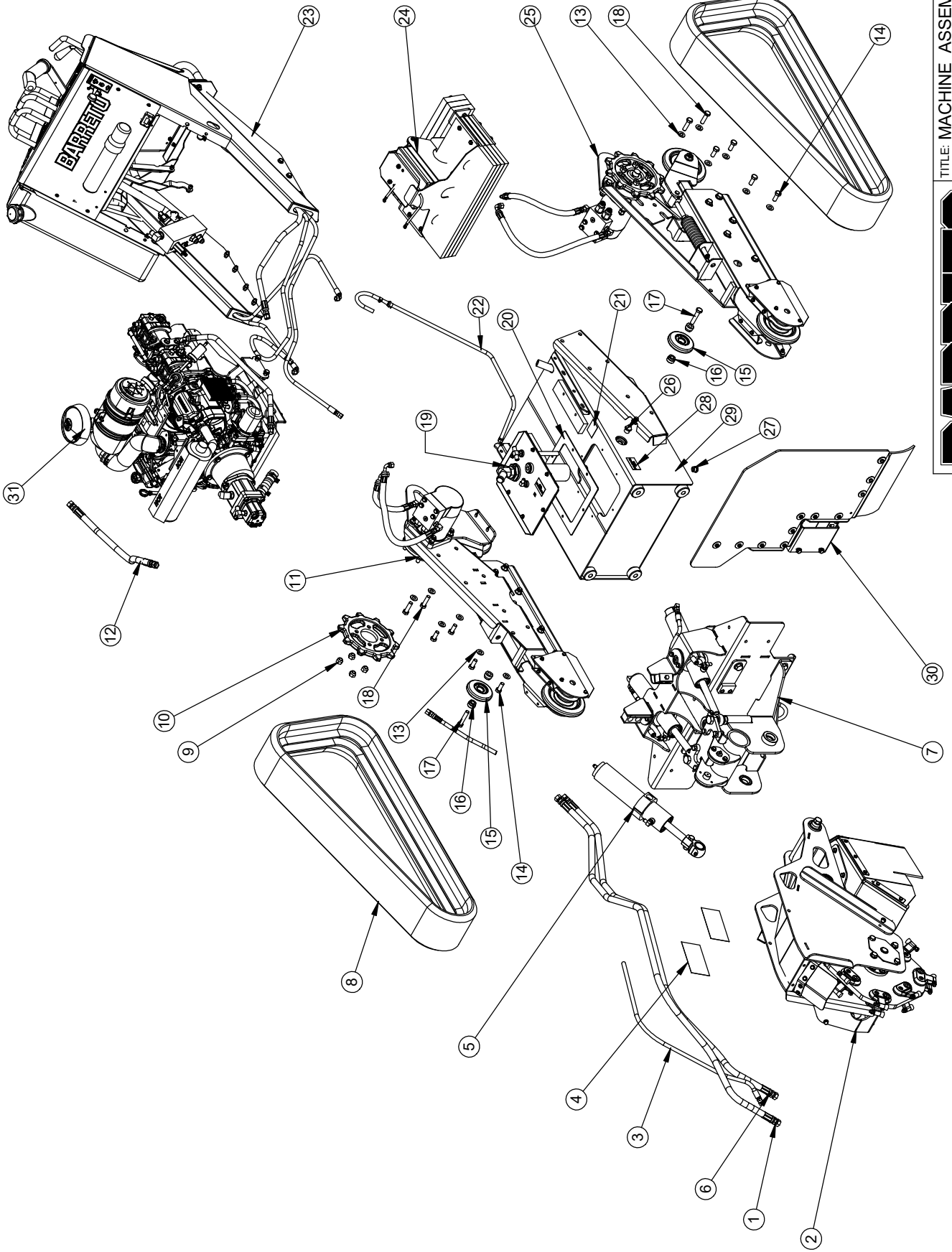
ITEM NO.	QTY.	PART NO.	DESCRIPTION
1	1	12364CP	HOSE, VALVE MID / MOTOR FRONT
2	1	100536	CUTTER HEAD ASSEMBLY
3	1	12385CP	HOSE, CASE DRAIN
4	2	04451-04	DECAL, "30-SG"
5	1	00537	CYLINDER ASSEMBLY
6	1	12365CP	HOSE, VALVE LOWER / MOTOR REAR
7	1	00535	PIVOT HEAD
8	2	10964	TRACK, 180 X 36 X 72
9	8	05042	NUT, LUG, 1/2-20 NF
10	2	10874	TRACK SPROCKET
11	1	00334-SG	CARRIAGE, RIGHT
12	1	12358T	HOSE, PUMP - CUTTER VALVE
13	13	05102	WASHER, 1/2 SAE ZINC HARDENED
14	8	05323	HH CAP SCREW, 1/2-13 NC X 1-1/4 G5 ZINC
15	2	00366	MID ROLLER ASSY
16	4	11155	ROLLER SPACER, SHORT
17	2	11447	HH CAP SCREW, 1/2-13 NC X 2-1/2 G5 ZN
18	4	05129	HH CAP SCREW, 1/2-13 NC X 1-3/4 G5 ZINC
19	1	00499CP	LID ASSEMBLY
20	1	11178	LID GASKET
21	1	03341-18	DECAL, S/N, 2WD
22	1	11239	VENT HOSE ASSEMBLY
23	1	00498-0BB	CONTROL ASSEMBLY
24	1	00326	WEIGHT & BATTERY OPTIONS
25	1	00333-SG	CARRIAGE, LEFT
26	1	03503	SIGHT GAUGE
27	1	10361	FITTING, 6409-8 PLUG
28	1	03040-57	DECAL, "HYDRAULIC OIL LEVEL"
29	1	01270S	FRAME, STUMP CUTTER
30	1	00541 R1	CHIP SHIELD
31	1	00390-IGX800	ENGINE / PUMPS ASSEM., HONDA IGX800



RELEASE DATE	XXXXXXXXXX
REVISED DATE	NEW
REVISION #	0

# BARRETO

TITLE:	MACHINE ASSEMBLIES
PRODUCT LINE:	30SG
SCALE:	1:16
SHEET:	1 OF 2
DWG#:	E30SG-H



TITLE: MACHINE ASSEMBLIES  
X

PRODUCT LINE: 30SG

DATE:

SCALE: 1:20

DWG# E30SG-H

SHEET 2 OF 2

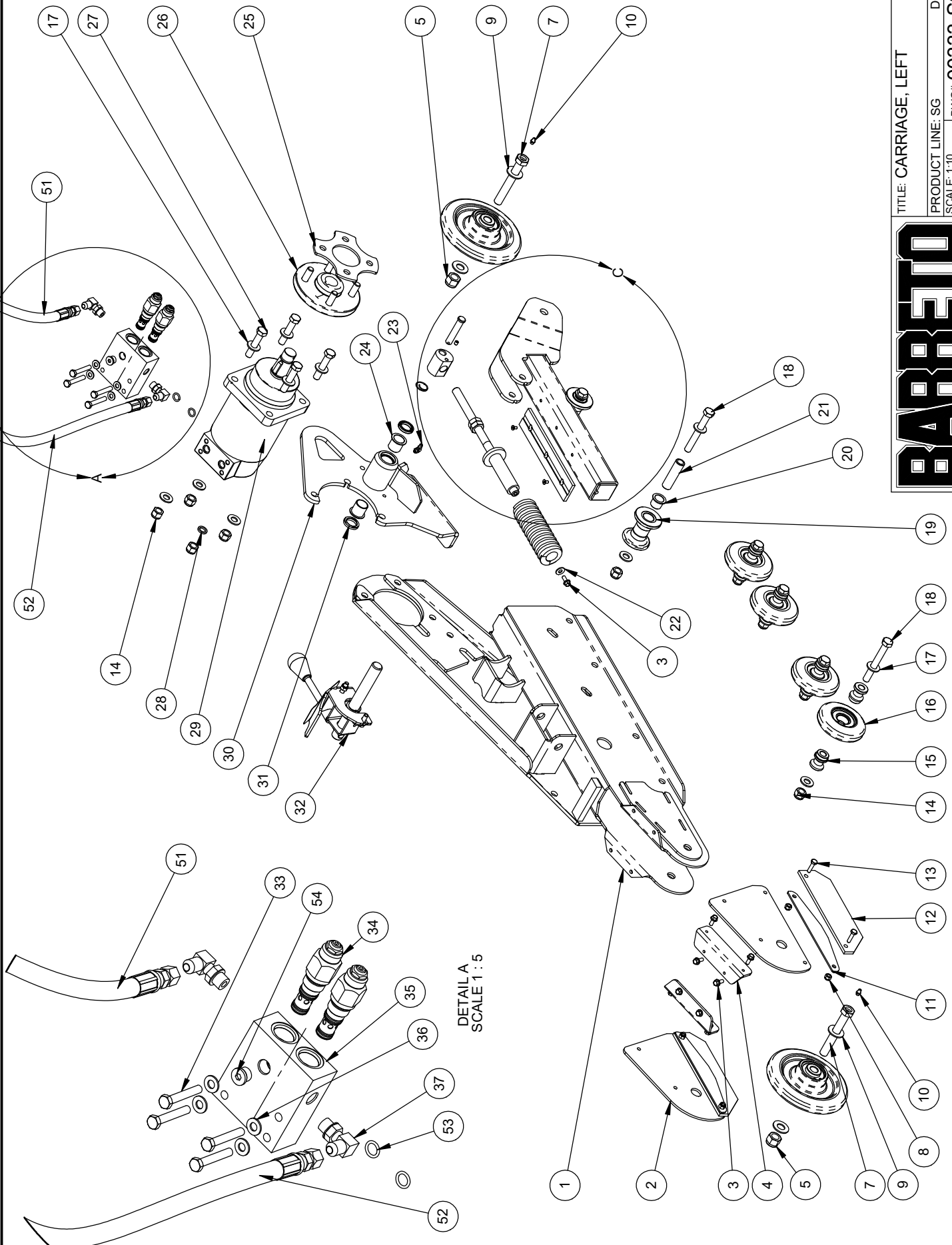
# BARRETO

TITLE: CARRIAGE, LEFT

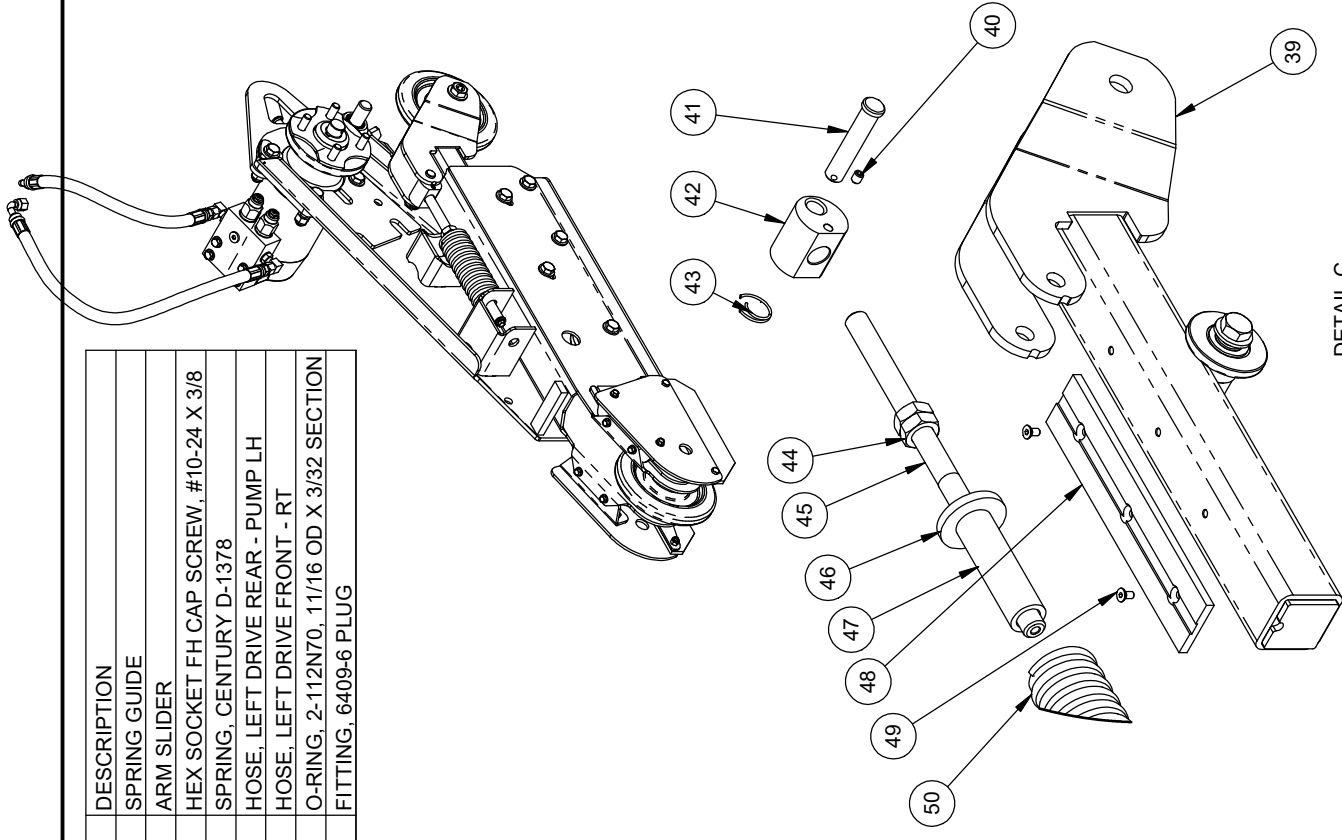
PRODUCT LINE: SG DATE: /08

SCALE: 1:10 DWG# 00333-SG

# BARRETO



DETAIL A  
SCALE 1:5



DETAIL C  
SCALE 1 : 5

ITEM NO.	QTY.	PART NO.	DESCRIPTION
47	1	11470	SPRING GUIDE
48	1	10910	ARM SLIDER
49	2	05084	HEX SOCKET FH CAP SCREW, #10-24 X 3/8
50	1	11674	SPRING, CENTURY D-1378
51	1	12369	HOSE, LEFT DRIVE REAR - PUMP LH
52	1	12338	HOSE, LEFT DRIVE FRONT - RT
53	2	03226	O-RING, 2-112N70, 11/16 OD X 3/32 SECTION
54	1	03302	FITTING, 6409-6 PLUG

ITEM NO.	QTY.	PART NO.	DESCRIPTION
1	1	10849-L R1	LEFT CARRIAGE
2	2	11247	ROLLER GUARD
3	9	05069	WHIZ LOCK, 1/4-20 NC X 5/8 ZINC
4	2	11251	ROLLER GUARD MOUNT
5	2	05099	NUT, NYLOCK, 5/8-11 NC ZINC
6	2	00335	IDLER ASSEMBLY
7	2	11490	ROLLER AXLE, 5/8 X 4-1/2"
8	4	05096	NUT, NYLOCK, 1/4-20 NC ZINC
9	4	05272	WASHER, 5/8 SAE ZINC HARDENED
10	2	05044	GREASE ZERK, 1/4-28 UNF
11	2	11474	FLAP BACKING
12	2	11475	FLAP
13	4	05237	HH CAP SCREW, 1/4-20 NC X 1 G5 ZINC
14	10	05098	NUT, NYLOCK, 1/2-13 NC ZINC
15	8	11144	ROLLER SPACER
16	4	00366	MID ROLLER ASSY
17	19	05102	WASHER, 1/2 SAE ZINC HARDENED
18	6	05590	HH CAP SCREW, 1/2-13 NC X 4 G5 ZINC
19	2	10907	ARM ROLLER
20	4	10272	BUSHING, IGUS MFI-1214-12
21	2	10908	SPACER
22	1	05078	WASHER, 1/4 USS ZINC
23	1	05307	GREASE ZERK, 1/4-28 UNF 90°
24	2	11680	BUSHING, IGUS LFI-1416-16
25	1	12354	SPROCKET SHIM
26	1	10827	WHEEL HUB, 1-1/4" TAPERED, SOLID
27	4	11447	HH CAP SCREW, 1/2-13 NC X 2-1/2 G5 ZN
28	1	03290	SPACER WASHER, .532 X .750 X .125
29	1	04029	MOTOR, PARKER TF 0240WE080
30	1	11462-L	WEIGHT MOUNT, E-BRAKE
31	2	11711	ROD WIPER, .875 X 1.25 X .188
32	1	00458-SG	PARK BRAKE ASSEMBLY
33	4	05566	HH CAP SCREW, 5/16-18 NC X 2 G5 ZINC
34	2	04405	C-BALANCE CARTRIDGE, CB10-HV
35	1	12329	C-BALANCE MANIFOLD, SDC10-3S
36	4	05068	WASHER, 5/16 SAE ZINC
37	2	04538	FITTING, 6801-6-6
38	2	11159	SPRING, POLY-U, CENT#U1000-3000-80A
39	1	10876	IDLER ARM
40	1	05021	SET SCREW, 1/4-20 UNC X 5/16, CUP POINT
41	1	05250	CLEVIS PIN, 1/2 X 2-1/2 ZINC
42	1	11156	TENSIONER END
43	1	05039-7	CIRCLC COTTER, CC-7
44	2	10707	NUT, JAM, 5/8-11 NC ZINC
45	1	11170	TENSIONER STUD
46	1	11157	WASHER, TENSION SPRING

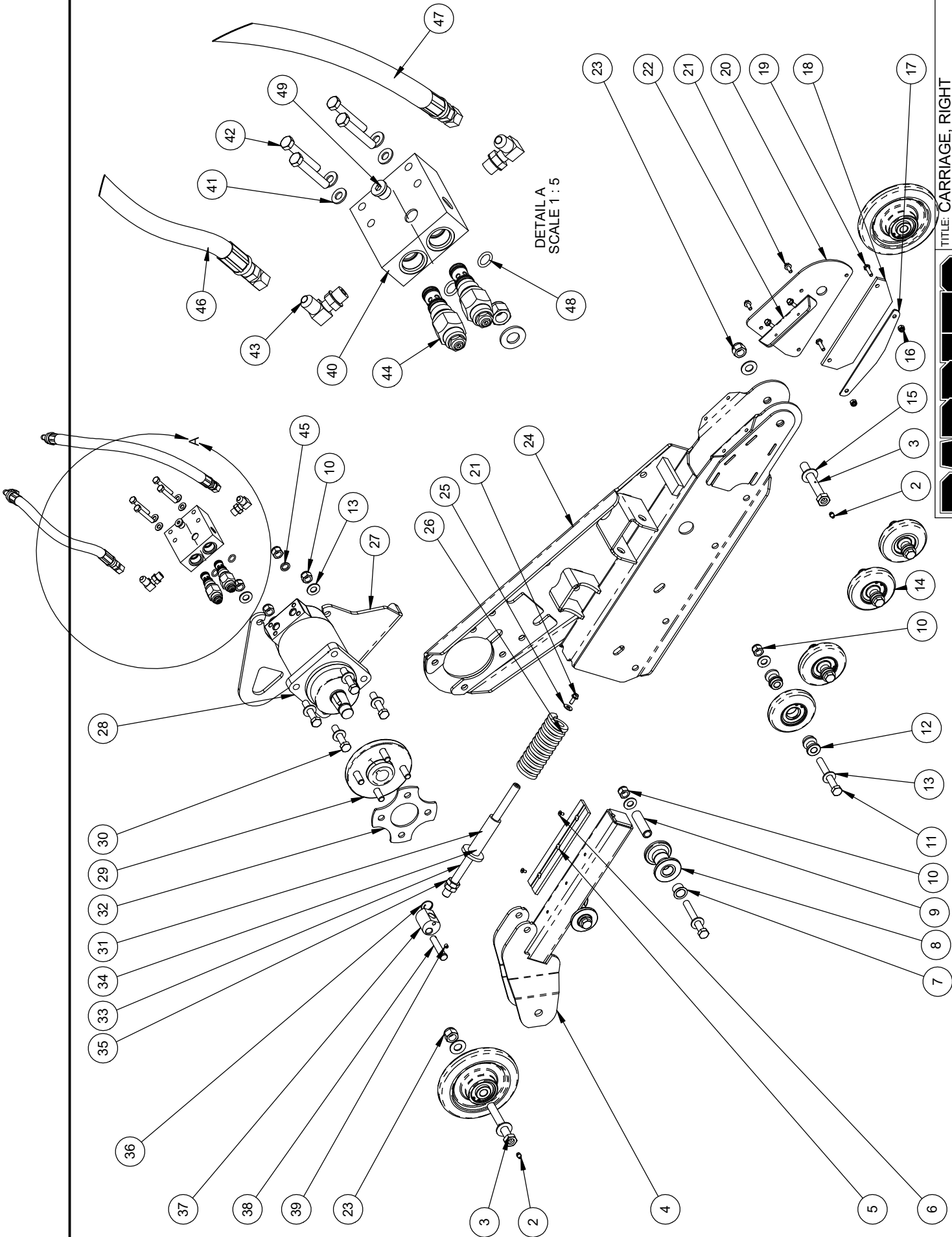
# BARRETO

TITLE: LEFT CARRIAGE

PRODUCT LINE: STUMP CUTTER DATE: 12-12

SCALE: 1:10 DWG#: 00333-SG

SHEET 2 OF 2



TITLE: CARRIAGE, RIGHT

PRODUCT LINE: STUMP GRINDER DATE: 7-12

SCALE: 1:10

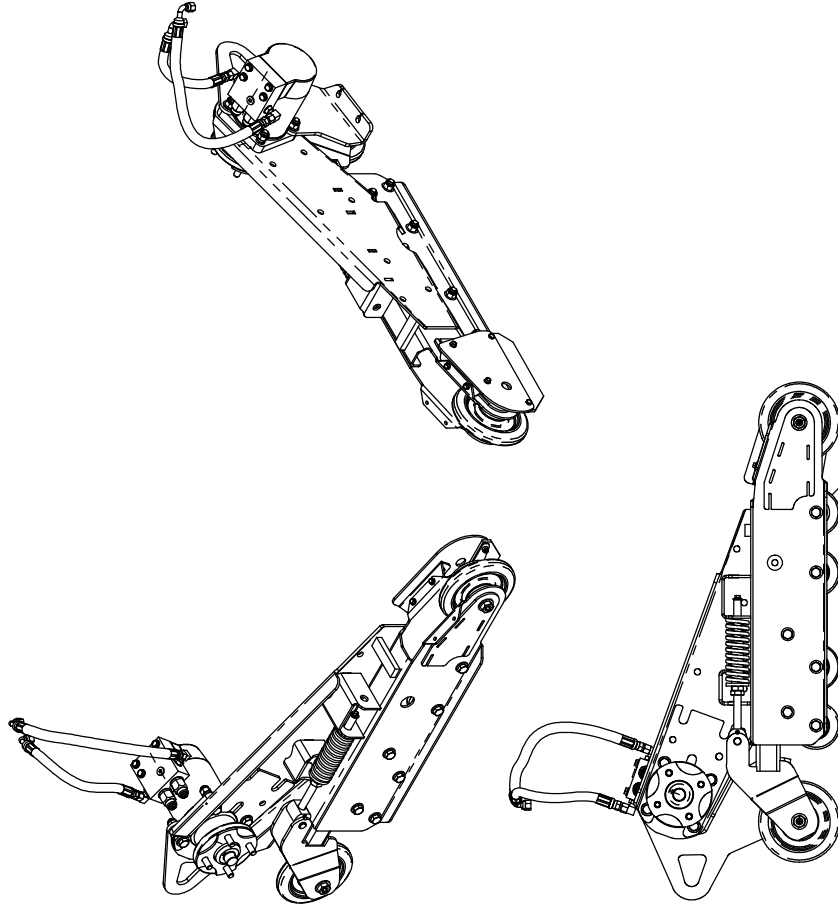
SHEET 1 OF 2

DWG# 00334-SG

# BARRETO



ITEM NO.	QTY.	PART NO.	DESCRIPTION
46	1	12368	HOSE, RT DRIVE, REAR - PUMP LH
47	1	12367	HOSE, SG30 RT DRIVE, FRONT- PUMP LH
48	2	03226	O-RING, 2-112N70, 11/16 OD X 3/32 SECTION
49	1	03302	FITTING, 6409-6 PLUG



ITEM NO.	QTY.	PART NO.	DESCRIPTION
1	2	00335	IDLER ASSEMBLY
2	2	05044	GREASE ZERK, 1/4-28 UNF
3	2	11490	ROLLER AXLE, 5/8 X 4-1/2"
4	1	10876	IDLER ARM
5	1	10910	ARM SLIDER
6	2	05084	HEX SOCKET FH CAP SCREW, #10-24 X 3/8
7	4	10272	BUSHING, IGUS MFI-1214-12
8	2	10907	ARM ROLLER
9	2	10908	SPACER
10	10	05098	NUT, NYLOCK, 1/2-13 NC ZINC
11	6	05590	HH CAP SCREW, 1/2-13 NC X 4 G5 ZINC
12	8	11144	ROLLER SPACER
13	19	05102	WASHER, 1/2 SAE ZINC HARDENED
14	4	00366	MID ROLLER ASSY
15	4	05272	WASHER, 5/8 SAE ZINC HARDENED
16	2	05096	NUT, NYLOCK, 1/4-20 NC ZINC
17	1	11474	FLAP BACKING
18	1	11475	FLAP
19	2	05237	HH CAP SCREW, 1/4-20 NC X 1 G5 ZINC
20	1	11247	ROLLER GUARD
21	5	05069	WHIZ LOCK, 1/4-20 NC X 5/8 ZINC
22	1	11251	ROLLER GUARD MOUNT
23	2	05099	NUT, NYLOCK, 5/8-11 NC ZINC
24	1	10849-R1	RIGHT CARRIAGE
25	1	05078	WASHER, 1/4 USS ZINC
26	1	11674	SPRING, CENTURY D-1378
27	1	11462-R	WEIGHT MOUNT, RIGHT
28	1	04029	MOTOR, PARKER TF 0240WE080
29	1	10827	WHEEL HUB, 1-1/4" TAPERED, SOLID
30	4	11447	HH CAP SCREW, 1/2-13 NC X 2-1/2 G5 ZN
31	1	11470	SPRING GUIDE
32	1	12354	SPROCKET SHIM
33	1	11170	TENSIONER STUD
34	1	11157	WASHER, TENSION SPRING
35	2	10707	NUT, JAM, 5/8-11 NC ZINC
36	1	05039-7	CIRCLE COTTER, CC-7
37	1	11156	TENSIONER END
38	1	05250	CLEVIS PIN, 1/2 X 2-1/2 ZINC
39	1	05021	SET SCREW, 1/4-20 UNC X 5/16. CUP POINT
40	1	12329	C-BALANCE MANIFOLD, SDC10-3S
41	4	05068	WASHER, 5/16 SAE ZINC
42	4	05566	HH CAP SCREW, 5/16-18 NC X 2 G5 ZINC
43	2	04538	FITTING, 6801-6-6
44	2	04405	C-BALANCE CARTRIDGE, CB10-HV
45	1	103290	SPACER WASHER, .532 X .750 X .125

# BARRETO

TITLE: RIGHT CARRIAGE

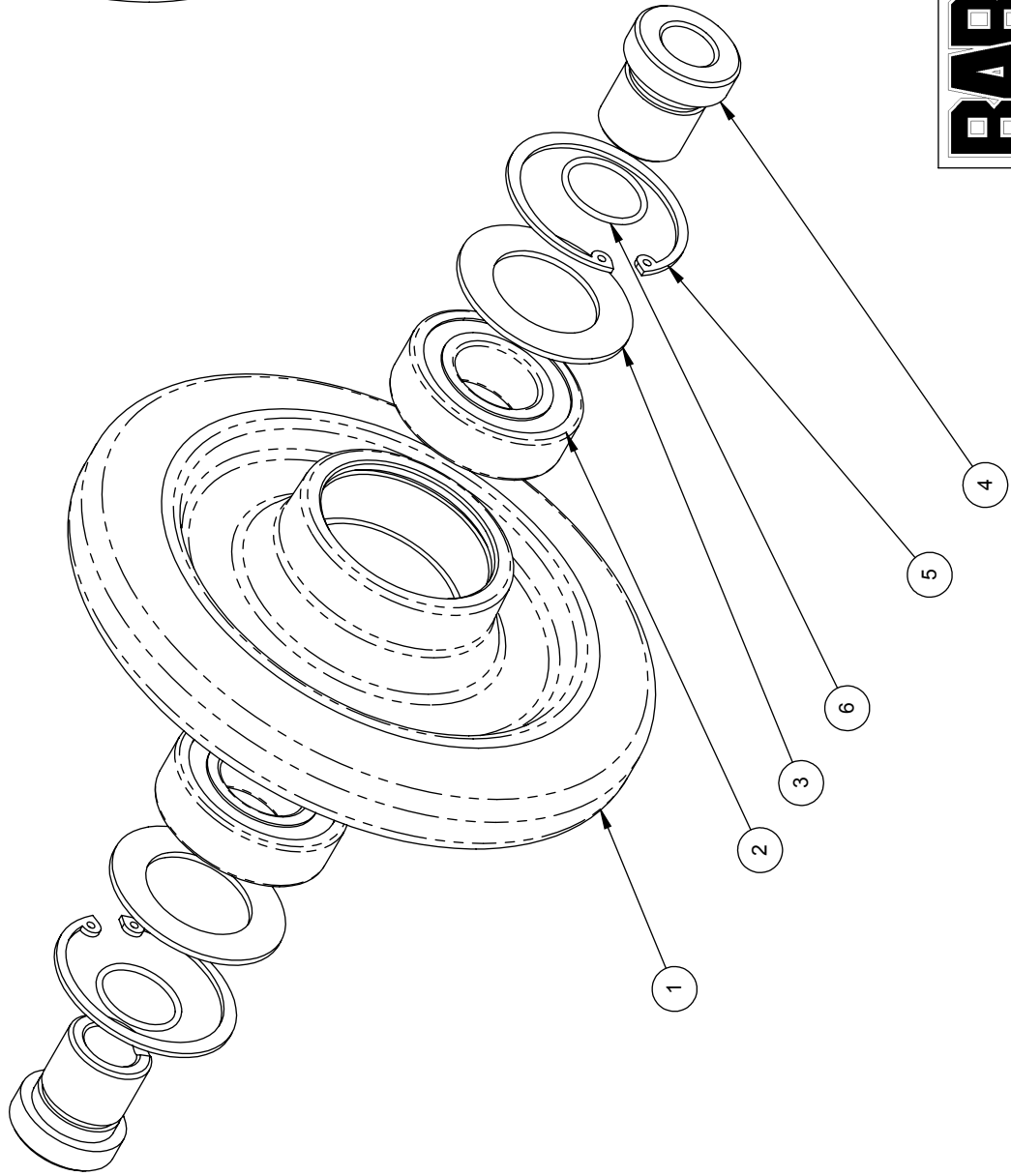
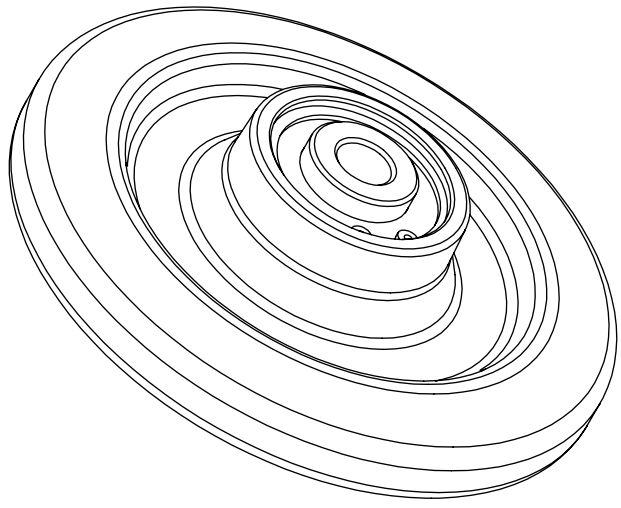
PRODUCT LINE: STUMP GRINDER DATE: 7-12

SCALE: 1:16 DWG# 00334-SG

SHEET 2 OF 2

RELEASE DATE 11/2006  
 REVISED DATE 4/20/17

ITEM NO.	QTY.	PART NO.	DESCRIPTION
1	1	10875	IDLER
2	2	03043-S1	BALL BEARING, 6205
3	2	01039	SHIELD, ROLLER BEARING
4	2	10878	IDLER SPACER
5	2	05024	SNAP RING, HO-200, 2" INTERNAL
6	2	10887	O-RING, 2-020N70, 1 OD X 1/16 SECTION

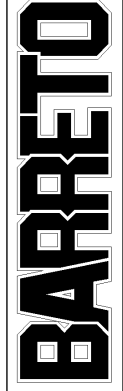
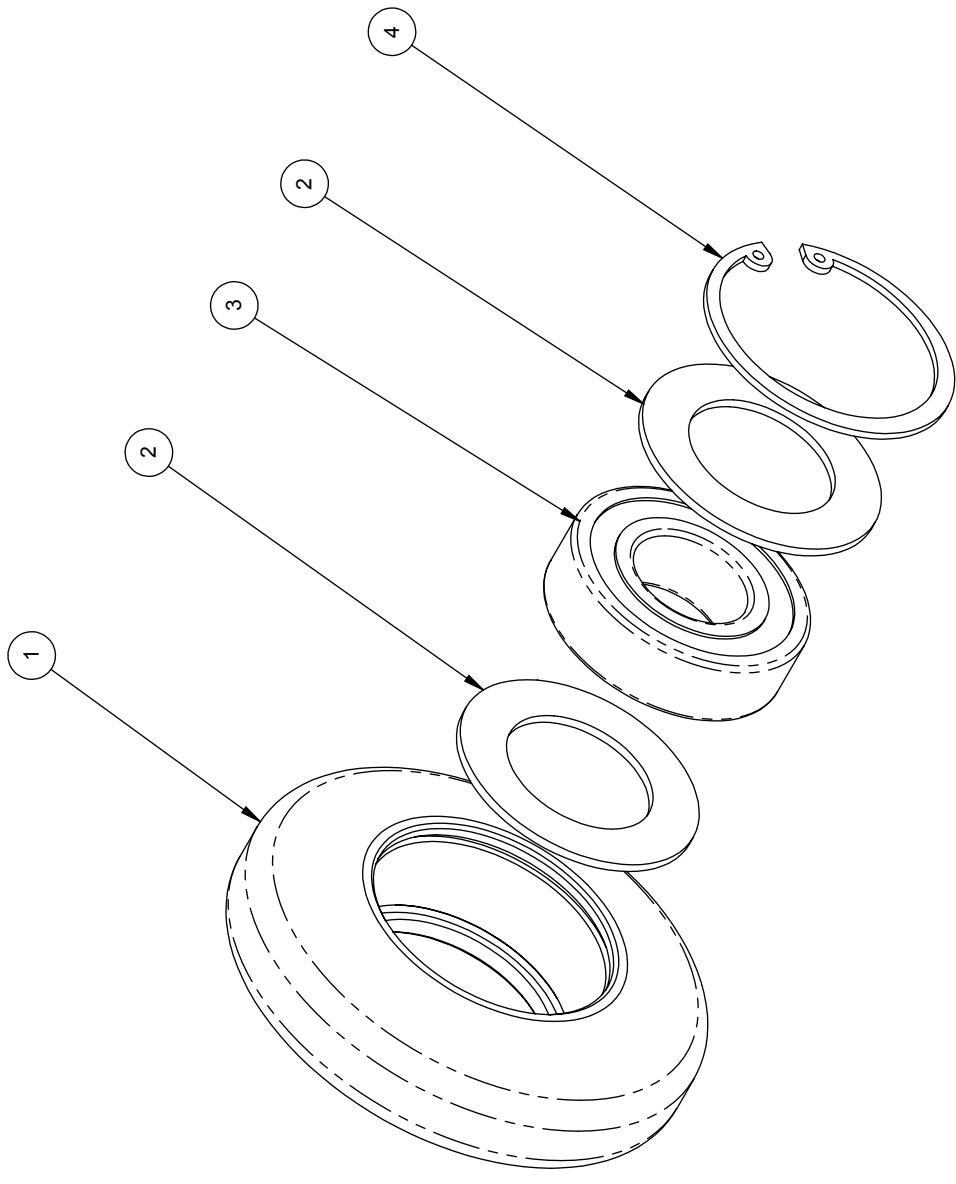


TITLE: IDLER ASSEMBLY



PRODUCT LINE: 30SG, 37SG, RTK, TK  
 SCALE: 1:2  
 SHEET 1 OF 1  
 DWG# 00335  
 DATE: 11/06

REF. QTY.	PART NO.	DESCRIPTION
1	11473	SUPPORT ROLLER
2	01039	SHIELD, ROLLER BEARING
3	03043-S2	BALL BEARING, 6205
4	05024	SNAP RING, HO-200, 2" INTERNAL



TITLE: MID ROLLER ASSEMBLY

PRODUCT LINE: 30SG, 37SG, RTK, TK

DATE: 11/07

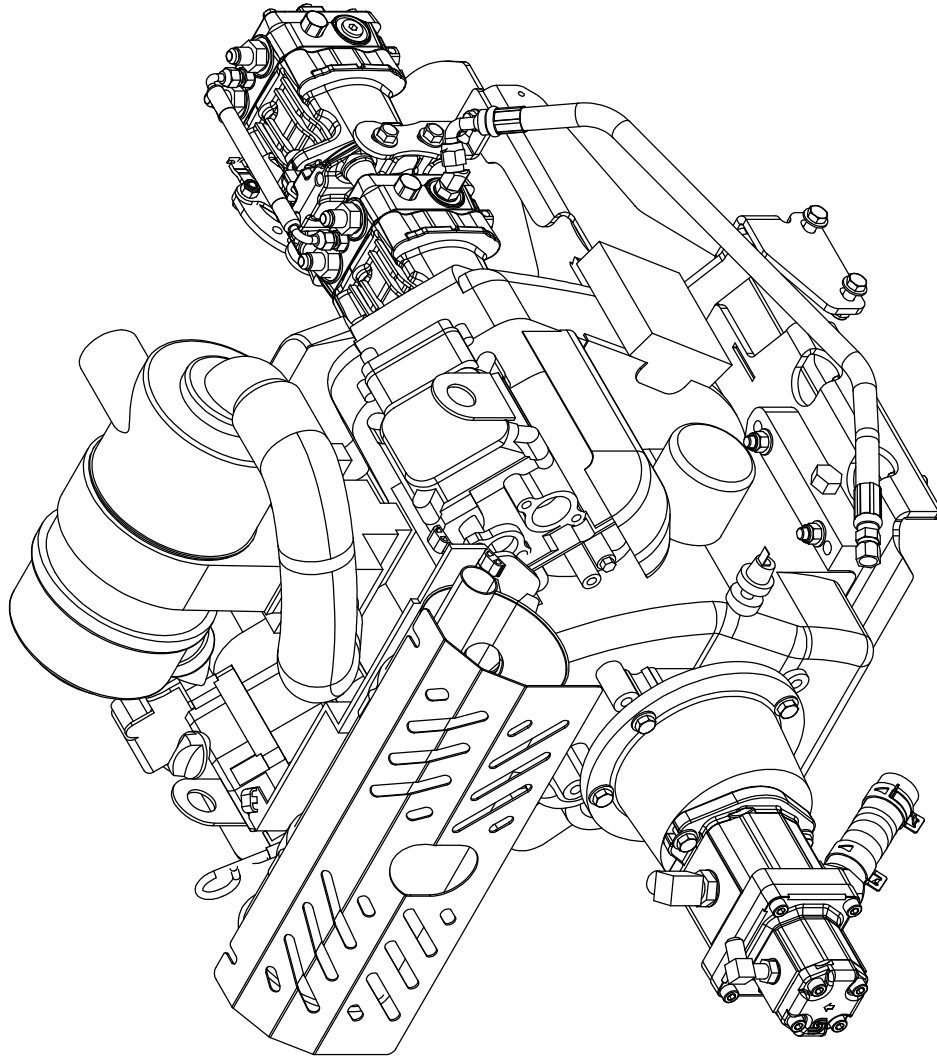
SCALE: 2:3

DWG# 00366

SHEET 1 OF 1

REPLACES 00390TT2-BS30

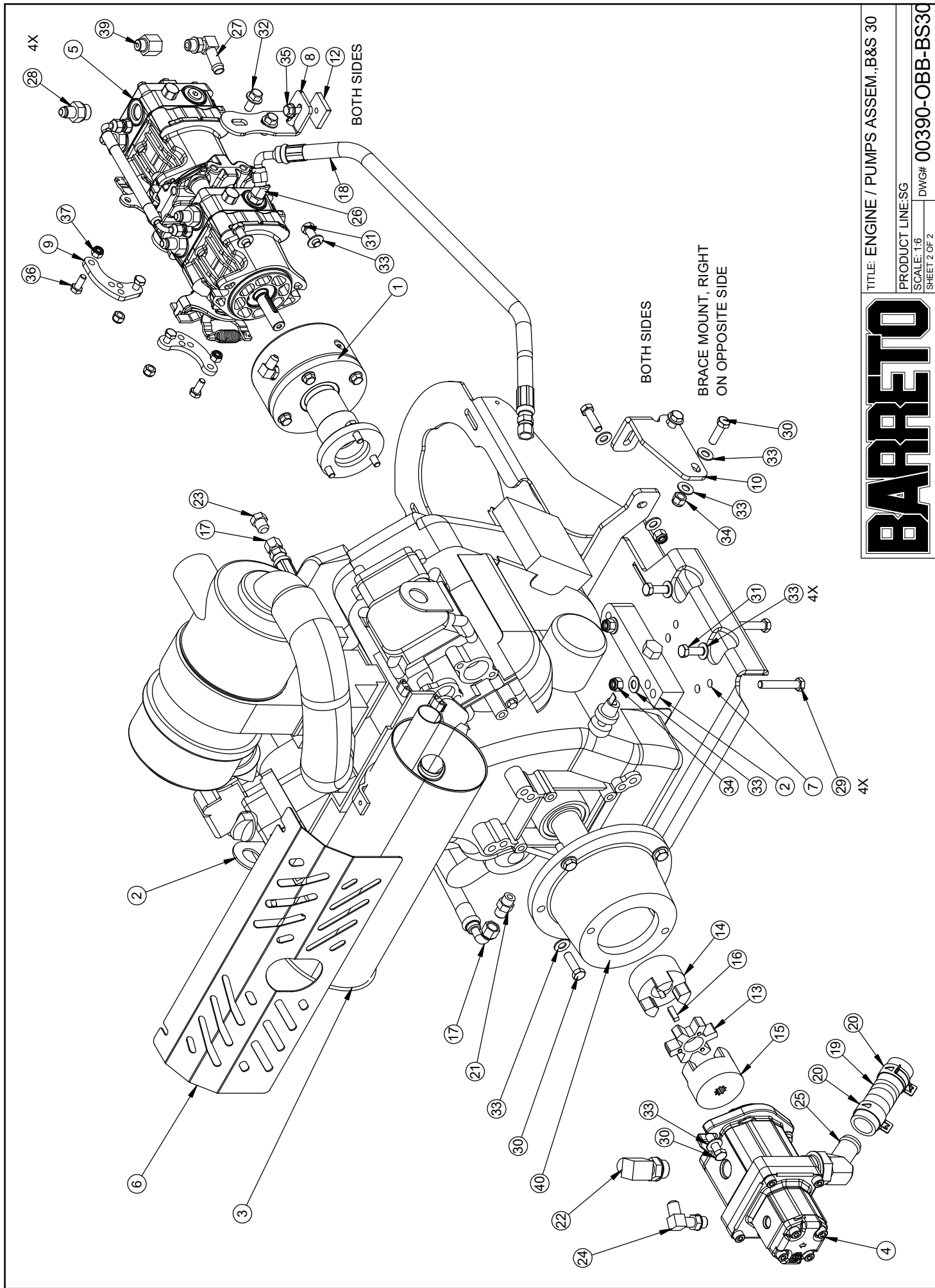
RELEASE DATE	6/17/16
REVISED DATE	11/14/16
REVISION #	1



ITEM NO.	QTY.	PART NO.	DESCRIPTION
1	1	00605-B-SG	STUB SHAFT ASSEMBLY, BRIGGS
2	1	B&S-30	ENGINE, BRIGGS 31hp
3	1	07027-10	MUFFLER, B&S 31, CENTER EXIT
4	1	04021-C16	TANDEM PUMP, PNT-16+1.2, PARKER
5	1	12730	HYDRO PUMP, 10CC TANDEM
6	1	12809	MUFFLER SHIELD, BRIGGS
7	1	13228 R1	ENGINE BASE
8	2	13202	PUMP SUPPORT
9	2	12447T	EXTEND ARM
10	1	13229-L	BRACE MOUNT, LEFT
11	1	13229-R	BRACE MOUNT, RIGHT
12	2	13205	SQUARE NUT
13	1	12456	SPIDER, HYTREL, L-099
14	1	12454	JAW COUPLER, 1.125, L-099
15	1	12455	JAW COUPLER, 9T SAE A, L-099
16	1	05014	KEY, 1/4 X 1/4 X 3/4
17	1	12320	ENGINE DRAIN HOSE
18	1	12339 R2	HOSE, HYDROSTAT DRAIN
19	1	12715	SUMP HOSE, 1" X 4.3"
20	2	05225	CLAMP, 1" ID HOSE, CTB-35 ST
21	1	04215	FITTING, 9067-6-14 METRIC
22	1	04211	FITTING, 6801-8-10
23	1	04539	FITTING, 2408-6
24	1	11082	FITTING, 6801-6-6-L
25	1	12484	FITTING, 4603-16-16
26	1	11074	FITTING, 6802-6-6
27	1	11070	FITTING, 4601-8-6
28	4	04226	FITTING, 6400-6-8
29	4	05352	HH CAP SCREW, 3/8-16 NC X 2-1/4 G5 ZINC
30	12	05091	HH CAP SCREW, 3/8-16 NC X 1-1/4 G5 ZINC
31	6	05059	HH CAP SCREW, 3/8-16 NC X 1 G5 ZINC
32	4	05187	HHFS 3/8-16 X 3/4, G5, ZN
33	29	05101	WASHER, 3/8 SAE ZINC
34	10	05073	NUT, NYLOCK, 3/8-16 NC ZINC
35	2	05131	HHFS 5/16-18 X 3/4, G8, ZN
36	4	05247	HH CAP SCREW, 5/16-18 NC X 3/4 G5 ZINC
37	4	05273	NUT, NYLOCK, 5/16-18 NC ZINC
38	1	07027-21	WIRE GUARD
39	1	12047	FITTING, 6410-6-6
40	1	02016	PUMP ADAPTER

**BARRETO**

TITLE:	ENGINE / PUMPS ASSEM., B&S 30
PRODUCT LINE:SG	
SCALE:1:6	DWG# 00390-OBB-BS30
SHEET 1 OF 2	

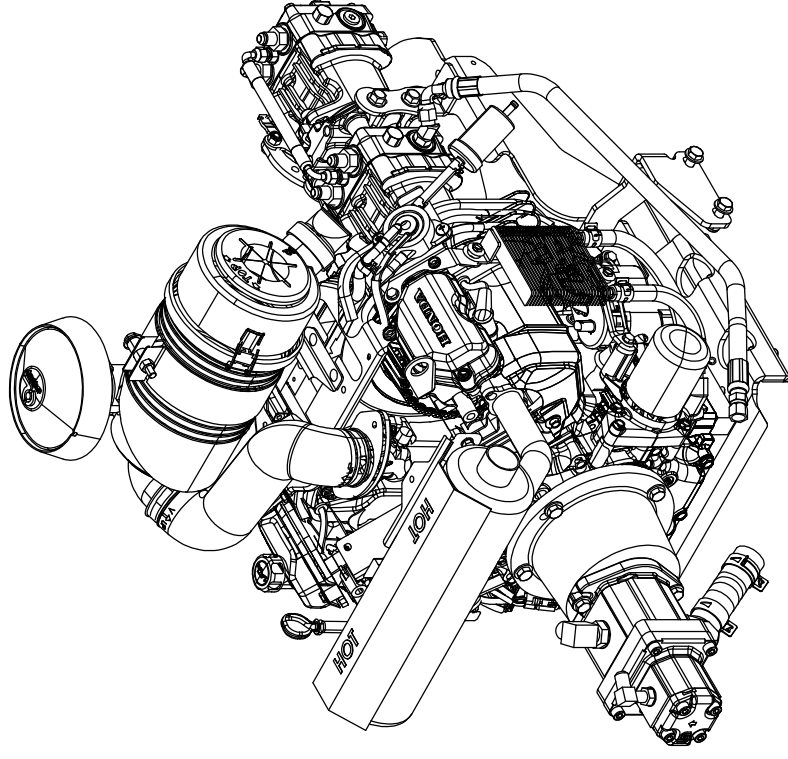


# BARRETO

TITLE: ENGINE / PUMPS ASSEM., B&S 30  
 PRODUCT LINE: SG  
 SCALE: 1:6  
 SHEET 2 OF 2  
 DWG# 00390-OBB-BS30

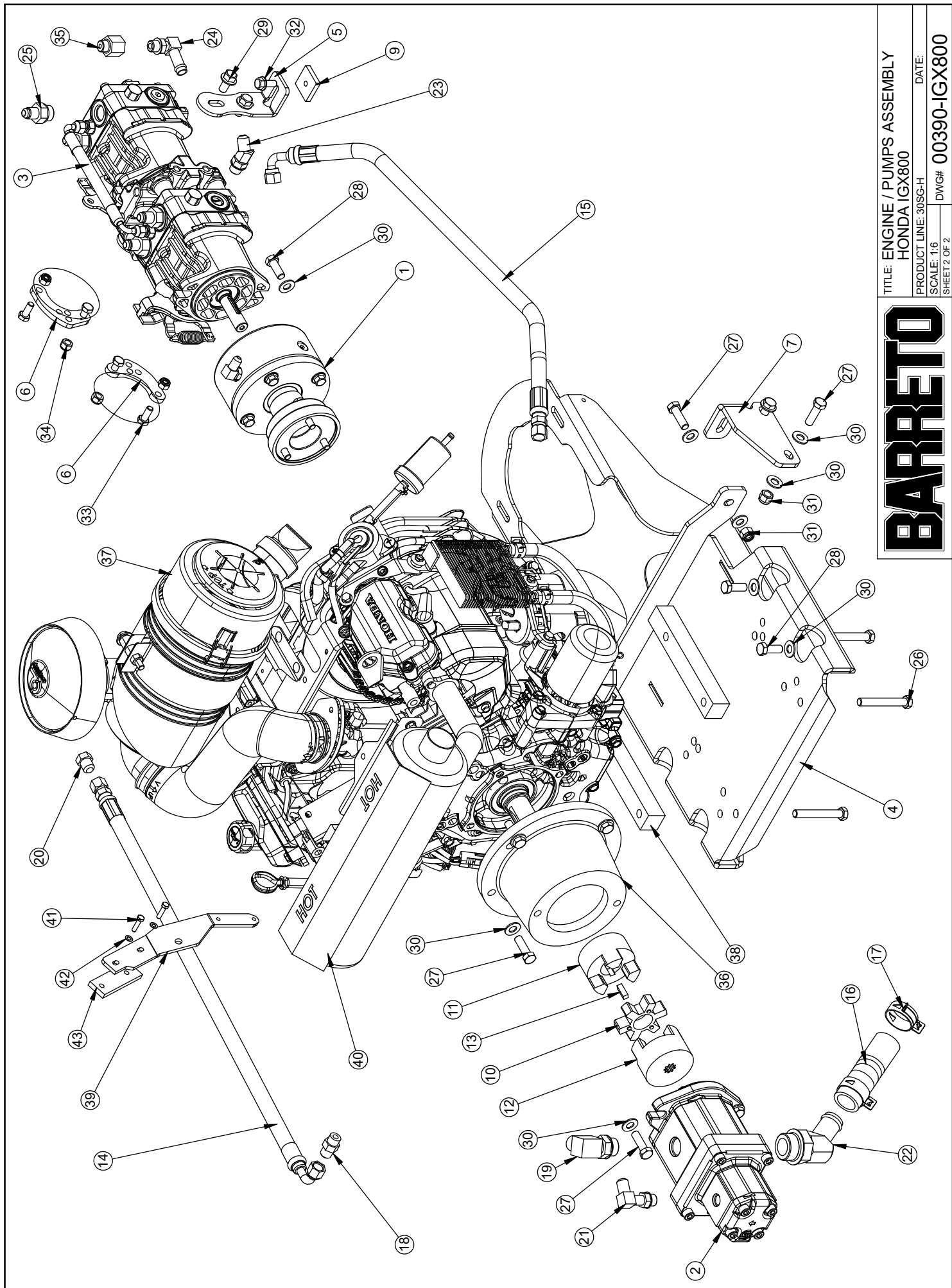
RELEASE DATE	XX/XX/XXXX
REVISED DATE	NEW
REVISION #	0

ITEM NO.	QTY.	PART NO.	DESCRIPTION
1	1	00605-H-SG	STUB SHAFT ASSEMBLY, BRIGGS
2	1	104021-C16	TANDEM PUMP, PNT-16+1.2, PARKER
3	1	12730	HYDRO PUMP, 10CC TANDEM
4	1	13228 R1	ENGINE BASE
5	2	13202	PUMP SUPPORT
6	2	12447T	EXTEND ARM
7	1	13229-L	BRACE MOUNT, LEFT
8	1	13229-R	BRACE MOUNT, RIGHT
9	2	13205	SQUARE NUT
10	1	12456	SPIDER, HYTREL, L-099
11	1	12454	JAW COUPLER, 1.125, L-099
12	1	12455	JAW COUPLER, 9T SAE A, L-099
13	1	05014	KEY, 1/4 X 1/4 X 3/4
14	1	12320	ENGINE DRAIN HOSE
15	1	12339 R2	HOSE, HYDROSTAT DRAIN
16	1	12715	SUMP HOSE, 1" X 4.3"
17	2	05225	CLAMP, 1" ID HOSE, CTB-35 ST
18	1	104215	FITTING, 9067-6-14 METRIC
19	1	104211	FITTING, 6801-8-10
20	1	104539	FITTING, 2408-6
21	1	11082	FITTING, 6801-6-6-L
22	1	12484	FITTING, 4603-16-16
23	1	11074	FITTING, 6802-6-6
24	1	11070	FITTING, 4601-8-6
25	4	04226	FITTING, 6400-6-8
26	4	05439	HH CAP SCREW, 3/8-16 NC X 2-3/4 G5 ZINC
27	12	05091	HH CAP SCREW, 3/8-16 NC X 1-1/4 G5 ZINC
28	6	05059	HH CAP SCREW, 3/8-16 NC X 1 G5 ZINC
29	4	05187	HHFS 3/8-16 X 3/4, G5, ZN
30	29	05101	WASHER, 3/8 SAE ZINC
31	10	05073	NUT, NYLOCK, 3/8-16 NC ZINC
32	2	05131	HHFS 5/16-18 X 3/4, G8, ZN
33	4	05247	HH CAP SCREW, 5/16-18 NC X 3/4 G5 ZINC
34	4	05273	NUT, NYLOCK, 5/16-18 NC ZINC
35	1	12047	FITTING, 6410-6-6
36	1	12016	PUMP ADAPTER
37	1	107034	ENGINE, HONDA IGX800
38	2	13487	ENGINE SPACER
39	1	13488	CONTROL POD MOUNT
40	1	107022-4	MUFFLER, EXHAUST
41	2	05478	HH CAP SCREW, M5-0.8 X 20MM, 8.8 ZINC
42	2	05079	FLAT WASHER, M5 X 10, ZINC
43	1	13489	SPACER



# BARRETO

TITLE:	ENGINE / PUMPS ASSEM., B&S 30
PRODUCT LINE:	SG
SCALE:	1:8
SHEET:	1 OF 2
DWG#:	00390-IGX800



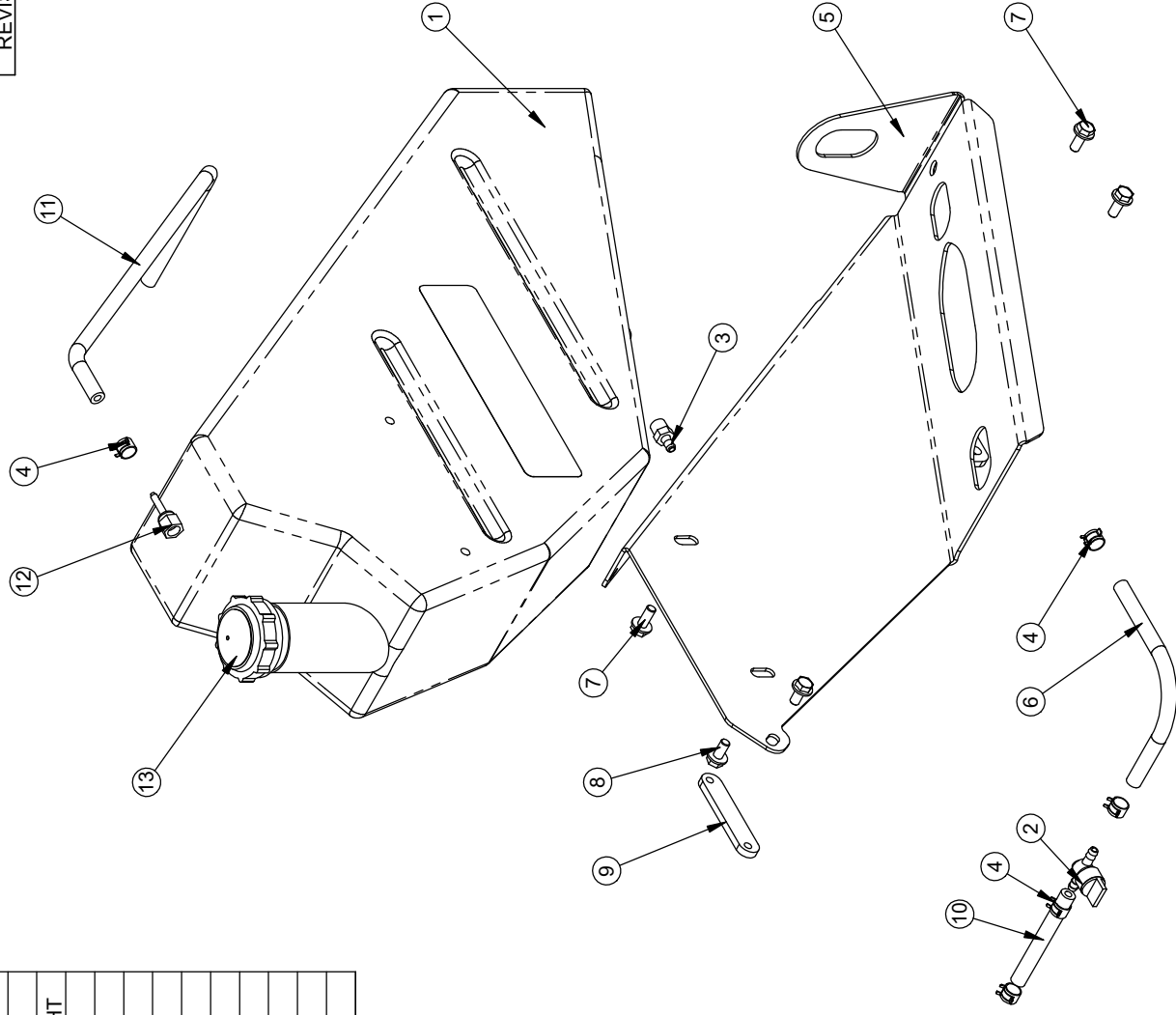
TITLE: ENGINE / PUMPS ASSEMBLY  
 PRODUCT LINE: 30SG-H  
 SCALE: 1:6  
 SHEET 2 OF 2

**BARRETO**

DATE:  
 DWG#: 00390-IGX800

RELEASE DATE	02/26/2019
REVISED DATE	NEW
REVISION #	0

ITEM NO.	QTY.	PART NO.	DESCRIPTION
1	1	13435	FUEL TANK, 5GAL
2	1	03062-03	FUEL SHUT OFF VALVE
3	1	10559-1	FITTING, 1/4 NPT TO 1/4 HOSE BIB, STRAIGHT
4	5	03062-06	CLAMP, 1/4" FUEL LINE
5	1	113481	SG LARGE TANK MOUNT
6	1	113482	FUEL LINE, 21" CUT LENGTH
7	3	05140	WHIZ-LOCK 5/16 - 18 X 3/4
8	2	05186	WHIZ-LOCK 5/16 - 18 X 5/8
9	1	11643	NUT BAR
10	1	13485	FUEL LINE, 4" CUT LENGTH
11	1	13486	BREATHER-INTAKE HOSE, 32" CUT LENGTH
12	1	04246	HOSE BARB, -4 -3 BARB
13	1	113435-01	FUEL CAP

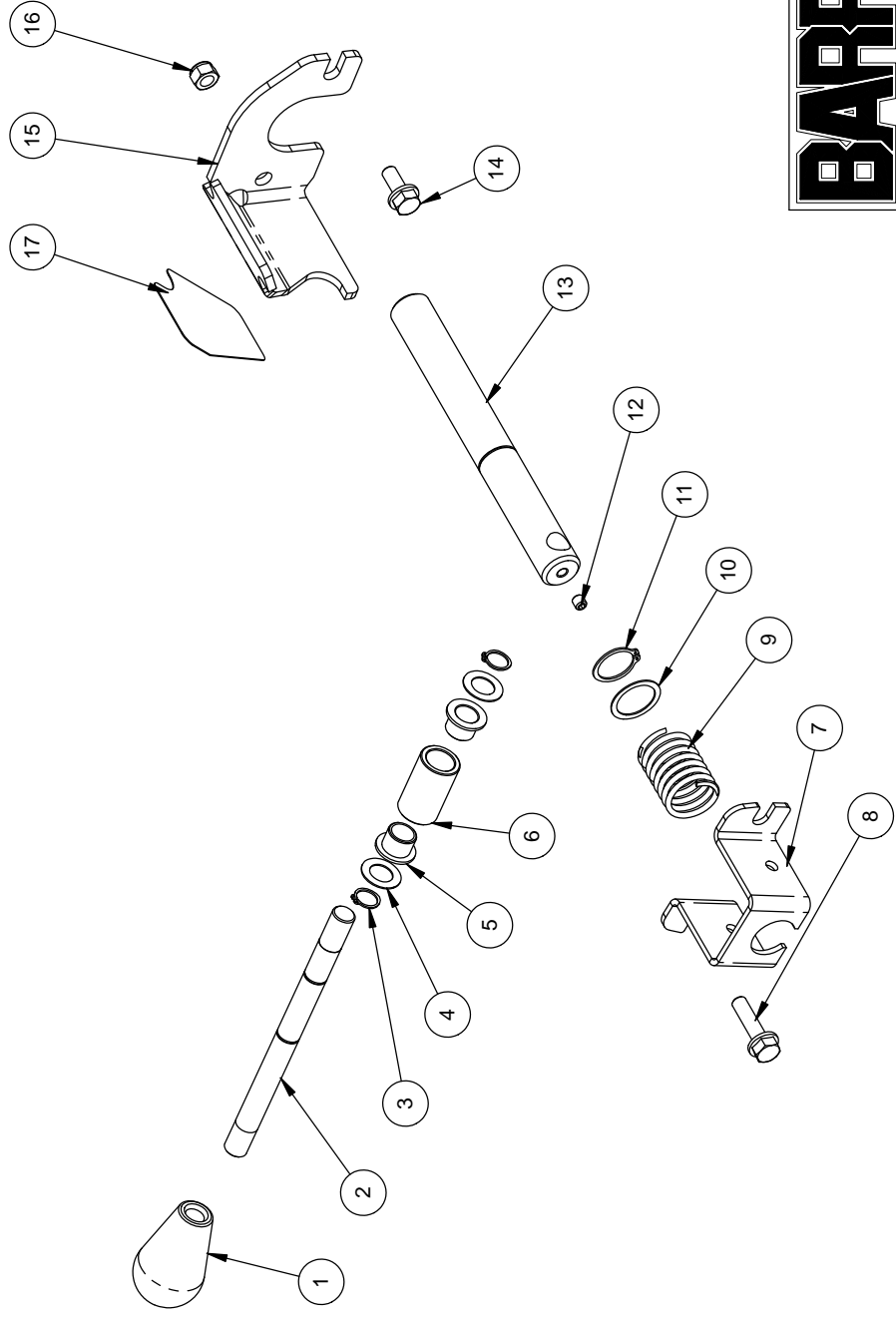
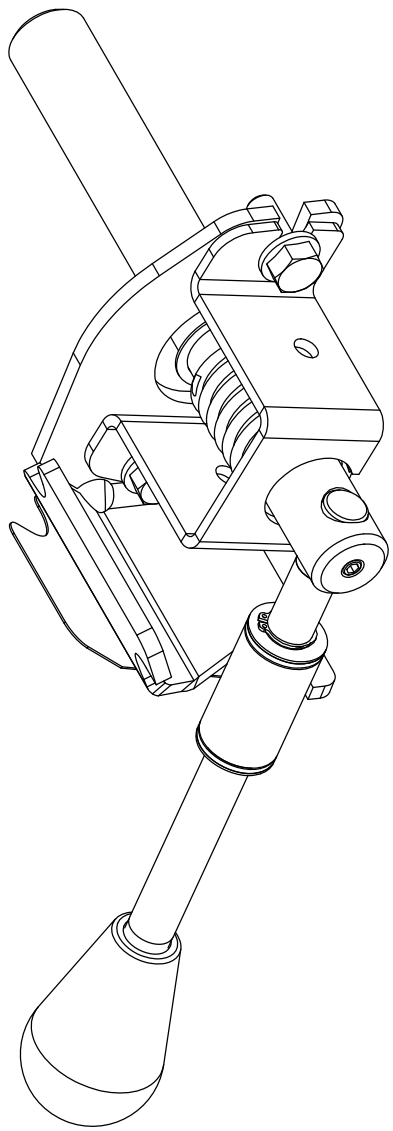


# BARRETO

TITLE: SG30 5GAL TANK ASSY
PRODUCT LINE: 30SG, 37SG
SCALE: 1:6
DWG# 00456-SG 5GAL
SHEET 1 OF 1



ITEM NO.	QTY.	PART NO.	DESCRIPTION
1	1	03508	SPEED KNOB
2	1	11709	PARK LEVER
3	2	05506	SNAP RING, 1/2" EXTERNAL, SH-50
4	2	10113	THRUST WASHER, .518 X .873 X .030
5	2	03501	BUSHING, IGUS MFI-0810-08
6	1	11708	ROLLER
7	1	11707	SPRING BASE
8	1	05138	HH FLANGE SCREW, 5/16-18 NC X 1-1/4 G8 ZINC
9	1	03354	SPRING, CENTURY 1539
10	1	10300	THRUST WASHER, .880 X 1.123 X .030, HARD
11	1	05602	SNAP RING, SH-87-P, 7/8" EXTERNAL
12	1	05143	SET SCREW .25 NF X .25 CUP
13	1	11705	BRAKE PIN
14	1	05131	HH FLANGE SCREW, 5/16-18 NC X 3/4 G8 ZINC
15	1	12355	CAM PLATE
16	1	05273	NUT, NYLOCK, 5/16-18 NC ZINC
17	1	04450-16	BRAKE DECAL



# BARRETO

TITLE: PARK BRAKE ASSEMBLY

PRODUCT LINE: STUMP GRINDER DATE: 7-12

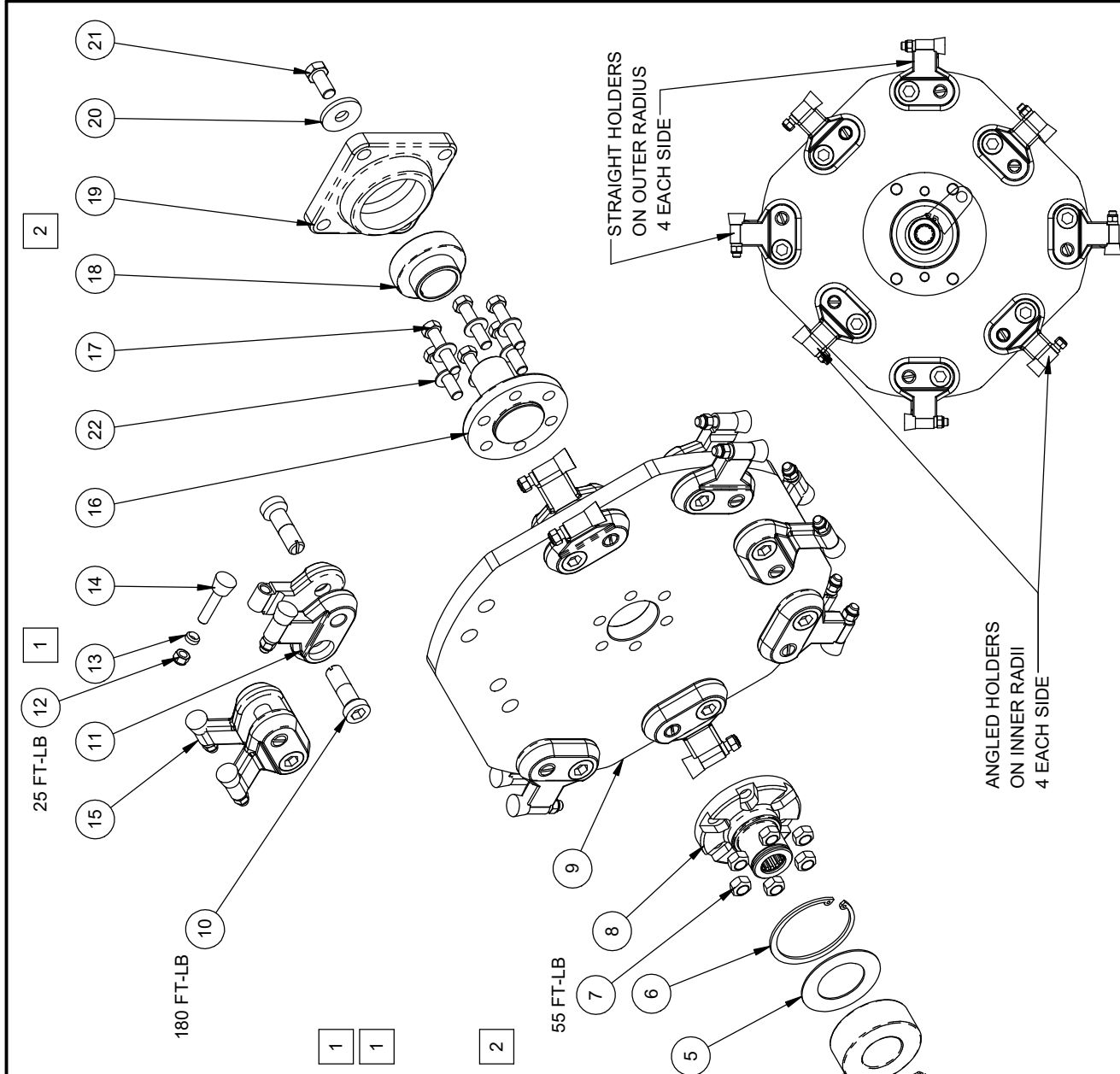
SCALE: 1:4

SHEET 1 OF 1 DWG# 00458-SG

ITEM NO.	QTY.	PART NO.	DESCRIPTION
1	1	12264	BEARING HOUSING
2	1	05044	GREASE ZERK, 1/4-28 UNF
3	1	05607-H	SNAP RING, SHR-156, 1-9/16" EXT, HEAVY
4	1	12382	BEARING, DOUBLE 5208 E-RS / 3208-RS
5	1	12266	BEARING SHIELD
6	1	05603	SNAP RING, HO-315, 3-5/32 INTERNAL
7	6	05355	NUT, GRIPCO, 7/16-20 NF G5 ZINC
8	1	12278	DRIVE STUB, SPLINED, 13T
9	1	12279	CUTTER WHEEL
10	16	12283	CUTTER BOLT, 2-1/4", LP-214
11	8	12281	STRAIGHT HOLDER, 700 LOPRO
12	16	05273	NUT, NYLOCK, 5/16-18 NC ZINC
13	15	12280E	TOOTH SPACER, 700 LOPRO
14	16	12280D	CUT TOOTH, 700 LOPRO GREEN
15	8	12282	ANGLED HOLDER, OUT, 700 LOPRO
16	1	12265	AXLE STUB
17	6	05354	HH CAP SCREW, 7/16-20 NF X 2 G8 ZINC
18	1	12383	BEARING INSERT YAR 207-107
19	1	12383	BEARING FLANGE FY 1.44 TM
20	1	11027	SHAFT WASHER
21	1	05067	HH CAP SCREW, 1/2-13 NC X 1 G5 ZINC
22	6	05544	WASHER, 7/16 SAE ZINC

1 ITEMS 12, 13, 14 INCLUDED IN TOOTH REPLACEMENT KIT PART NO. 12280

2 ITEMS 18, 19, PART NO. 12383 COMES WITH BEARING INSERT AND FLANGE



# BARRETO

TITLE: CUT WHEEL ASSY

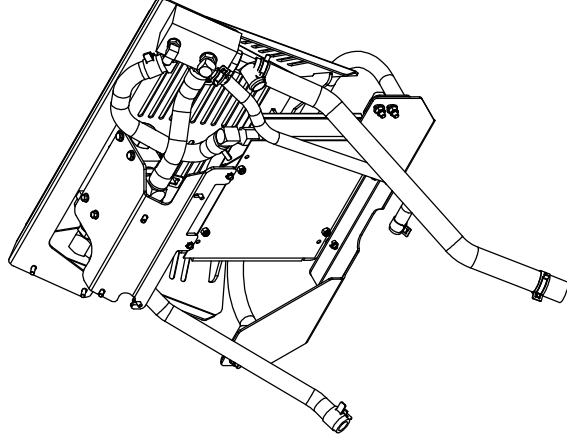
PRODUCT LINE: STUMP GRINDER DATE: 7/12

SCALE: 1:6 SHEET 1 OF 1 DWG# 00492

RELEASE DATE	6/21/16
REVISED DATE	5/22/17
REVISION #	1

ITEM NO.	QTY.	PART NO.	DESCRIPTION
48	2	05111	BH SHOULDER SCREW, 3/8 X 3/8
49	6	05273	NUT, NYLOCK, 5/16-18 NC ZINC
50	1	12462	BACK COVER
51	3	05510	BUTTON HD SOCKET CAP SCR, 5/16-18 X 3/4

ITEM NO.	QTY.	PART NO.	DESCRIPTION	ITEM NO.	QTY.	PART NO.	DESCRIPTION
1	8	05557	HH CAP SCREW, 1/4-20 NC X 1/2 G5 ZINC				
2	1	12316	COOLER / FILTER MOUNT				
3	1	12727	HOSE, GRINDER VALVE / FILTER 3/4				
4	8	05081	WASHER, 1/4 SAE ZINC				
5	8	05008	CLAMP, 1" HOSE, CTB-29				
6	2	04202	FITTING, 4601-12-12				
7	1	04212-OR-TL	FILTER HEAD, #12 O-RING, TAP LEFT				
8	1	04555	FITTING, 6801-4-4				
9	6	05069	WHIZ LOCK, 1/4-20 NC X 5/8 ZINC				
10	1	11546	THERMO ADAPTER				
11	1	03225	O-RING, 2-116N70, 15-16 OD X 3/32 SECTION				
12	1	11545	THERMOSTAT VALVE BODY				
13	1	12463	TOP MOUNT				
14	2	05560	HH CAP SCREW, 1/4-20 NC X 2-1/4 G5 ZINC				
15	3	05359	CLIP NUT, 5/16-18				
16	1	03952	FILTER, HYDRAULIC OIL, WITH BY-PASS				
17	1	12335	HOSE, THERMO / JUNCTION, 3/4				
18	1	12334	HOSE, FILTER / COOLER, 3/4				
19	1	12464	TEMP SWITCH, ACT B4130FD607-P100				
20	1	11544	THERMOSTAT VALVE, CT 1731				
21	1	04523	FITTING, 4601-12-10				
22	1	10362	FITTING, 4603-12-12				
23	1	12336	HOSE, COOLER / JUNCTION, 3/4				
24	1	04219	FITTING, 4604-12-12				
25	1	04538	FITTING, 6801-6-6				
26	1	04572	FITTING, 4601-8-8				
27	1	12337	RETURN JUNCTION				
28	1	10456	FITTING, 4603-16-12				
29	2	12131	CLAMP, 1/2" HOSE, CTB-20				
30	1	12370	PUMP FEED, LEFT				
31	1	12356	RETURN HOSE, 1"				
32	2	05225	CLAMP, 1" ID HOSE, CTB-35 ST				
33	1	12460	FAN SHROUD				
34	4	05193	RUBBER GROMMET, .62 X .38				
35	4	11741	SPACER				
36	10	05096	NUT, NYLOCK, 1/4-20 NC ZINC				
37	4	05191	SCREW #12-24 X 1/2 PPH				
38	1	04033	FAN, 7.5" PULLER				
39	4	05190	NUT, NYLOCK, 12-24 NC ZINC				
40	4	05535	WHIZ LOCK, 1/4-20 NC X 7/8 ZINC				
41	4	05101	WASHER, 3/8 SAE ZINC				
42	2	04227	FITTING, 4501-12-8				
43	1	11533	OIL COOLER, B&M 70266				
44	4	05567	HH FLANGE SCREW, 5/16-18 NC X 1" G8 ZINC				
45	4	05068-HDN	WASHER, 5/16 HARDENED ZINC				
46	1	12315-0BB	COOLER BRACKET				
47	1	12461	COVER MOUNT				



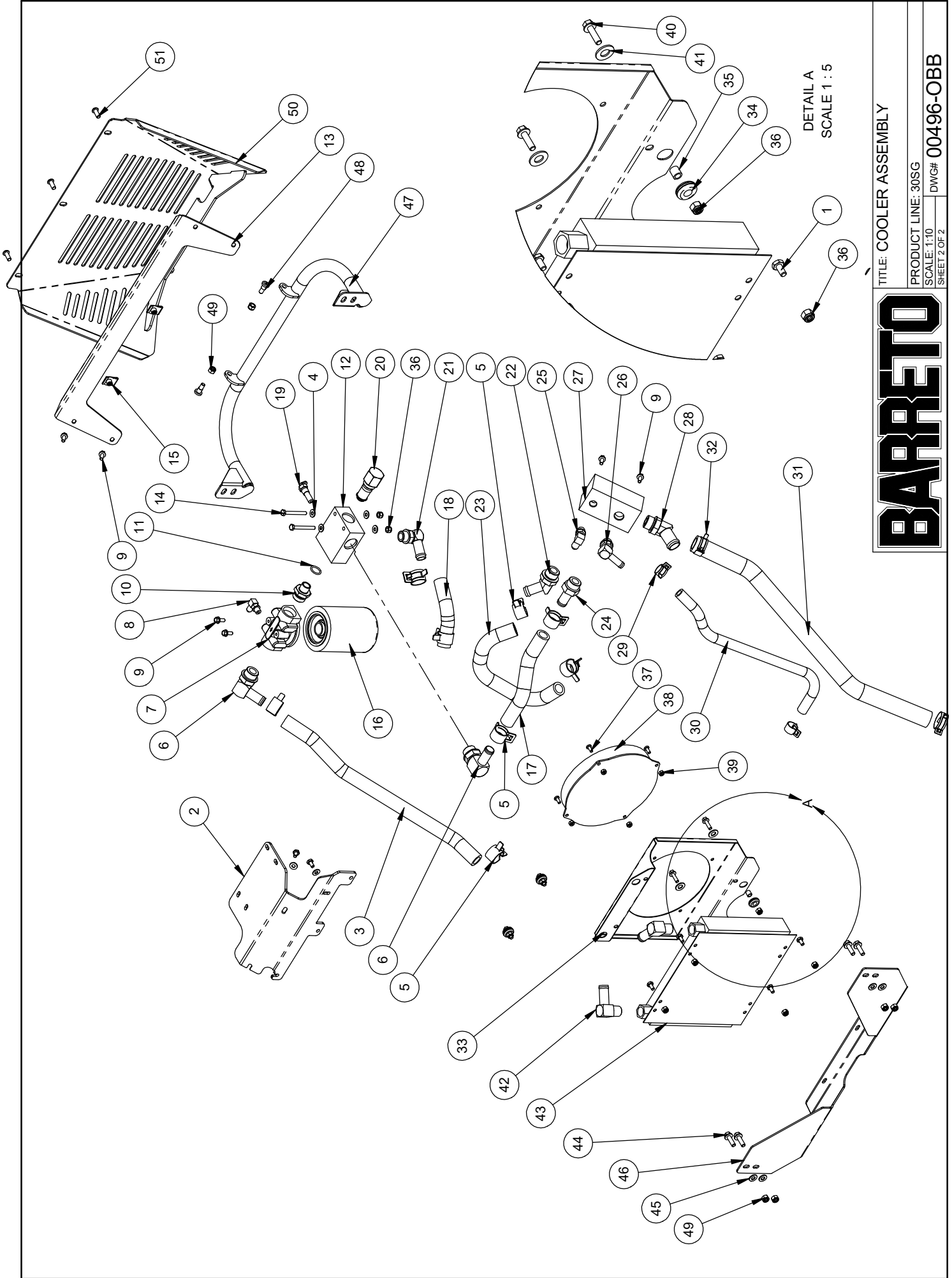
# BARRETO

TITLE: COOLER ASSEMBLY

PRODUCT LINE: 30 SG

SCALE: 1:12  
SHEET 1 OF 2

DWG# 00496-0BB



DETAIL A  
SCALE 1 : 5

TITLE: COOLER ASSEMBLY

PRODUCT LINE: 30SG

SCALE: 1:10

DWG# 00496-0BB

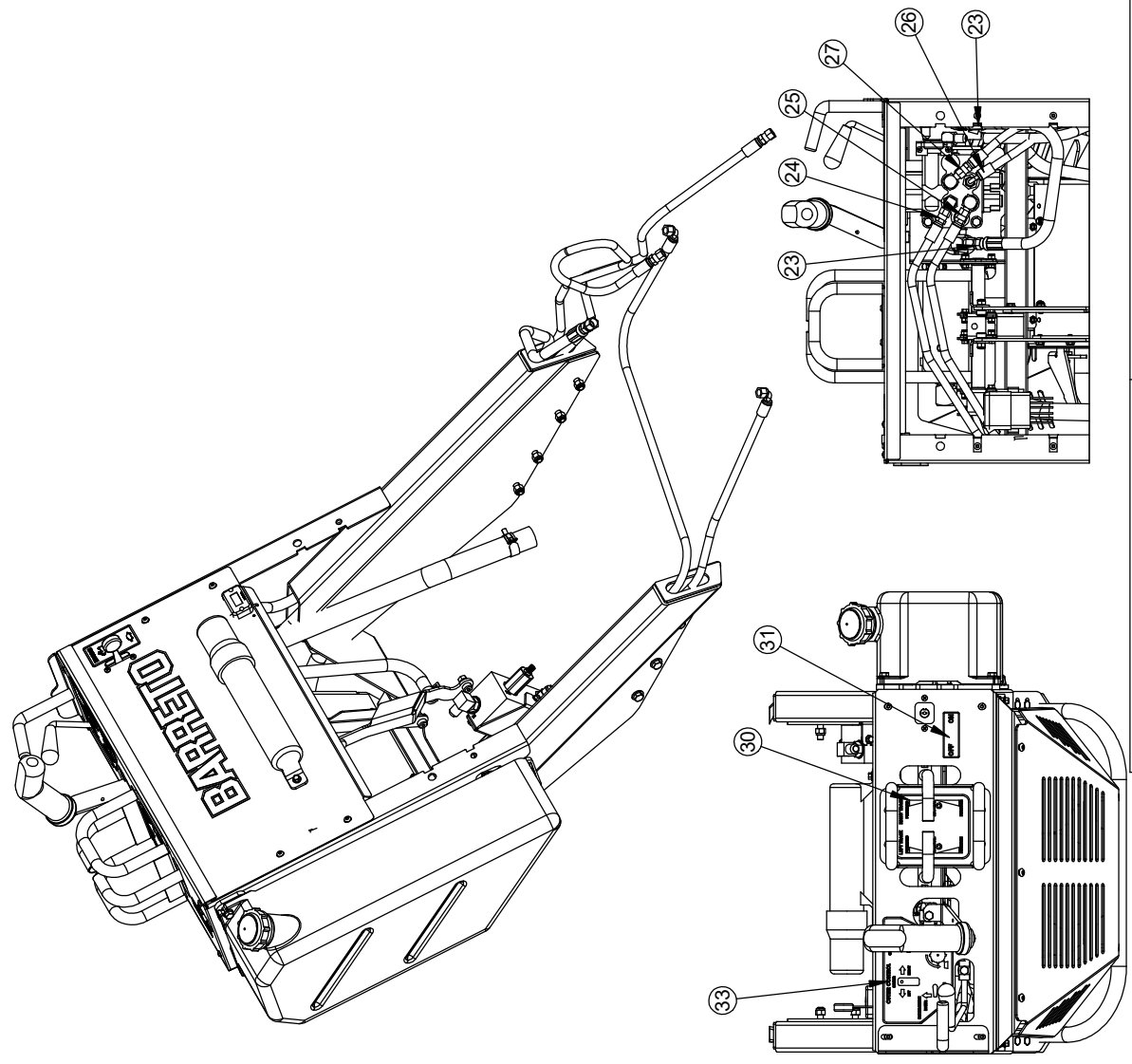
SHEET 2 OF 2

# BARRETO

ITEM NO.	QTY.	PART NO.	DESCRIPTION	ITEM NO.	QTY.	PART NO.	DESCRIPTION
1	1	00497	CYLINDER VALVE ASSEM	48	10	05096	NUT, NYLOCK, 1/4-20 NC ZINC
2	1	00456-SG	FUEL TANK ASSEMBLY	49	4	05233	SCREW #10-24 X 1/2 PPH
3	1	00496-0BB	COOLER ASSEMBLY				
4	1	12288T	CONTROL TOWER				
5	1	13326	HAND REST				
6	1	12311 R1	SPEED LEVER, LEFT				
7	1	12312T R1	SPEED LEVER, RIGHT				
8	1	12314-T	FRONT COVER				
9	1	12775	LEFT HAND REST				
10	2	12330	SPEED LINK, TOP				
11	1	12331	SPEED LINK, LOWER, LEFT				
12	1	12457T	SPEED LINK, LOWER RT				
13	1	12332T	CONTROL PANEL				
14	1	11627K	IGNITION SWITCH PLATE				
15	1	07024-E1	IGNITION SWITCH, KOHLER ONLY				
16	1	03009-R1	HOUR METER, WITH FLASH ALERT				
17	1	12313D	CUTTER VALVE				
18	4	12381	IGUS FLANGE JFL-20				
19	1	03515-T	THRUSTLE CABLE				
20	1	07027-08	FUSE / RELAY HOLDER ASSEM				
21	1	12090	INSTRUCTION CANISTER				
22	1	12371T	HOSE, PUMP / CYLINDER VALVE				
23	1	12340T	HOSE, CYLINDER VALVE - RETURN JCT				
24	1	12723	HOSE, RT. A / LEFT SWING TEE				
25	1	12724	HOSE, RT B / RT SWING TEE				
26	1	12725	HOSE, LEFT B / LIFT ROD				
27	1	12726	HOSE, LEFT A / LIFT PISTON				
28	1	04554	FITTING, 6801-8-8				
29	2	04520	FITTING, 6400-8-8				
30	1	04451-TK	L - R TRACK DECAL				
31	1	03341-07	DECAL, "IGNITION OFF/ON"				
32	1	04440-05	DECAL, "THRUSTLE CONTROL"				
33	1	04451-CP-03	DECAL, CUTTER CONTROL				
34	1	03040-02	DECAL, "BARRETO", 3-1/2 X 11-1/4				
35	4	05292	HH CAP SCREW, 3/8-24 NF X 1-1/4 G5 ZINC				
36	4	05056	HH CAP SCREW, 3/8-24 NF X 1 G5 ZINC				
37	4	05351	SH SHOULDER SCREW, 3/8 X 1/4 X 5/16-18				
38	8	05101	WASHER, 3/8 SAE ZINC				
39	8	05073	NUT, NYLOCK, 3/8-16 NC ZINC				
40	3	05175	HH CAP SCREW, 5/16-18 NC X 2-1/4 G5 ZINC				
41	5	05273	NUT, NYLOCK, 5/16-18 NC ZINC				
42	2	05002	NUT, GRIPCO, 5/16-18 NC G5 ZINC				
43	13	05069	WHIZ-LOCK 1/4 - 20 X 5/8				
44	12	05507	BUTTON HD SOCKET CAP SCR, 1/4-20 X 1/2				
45	4	05557	HH CAP SCREW, 1/4-20 NC X 1/2 G5 ZINC				
46	12	05081	WASHER, 1/4 SAE ZINC				
47	6	05365	CLIP NUT, 1/4-20				

RELEASE DATE 6/20/16  
 REVISED DATE NEW  
 REVISION # 0

REPLACES 00498T



**BARRETO**

TITLE: CONTROL ASSEMBLY  
 PRODUCT LINE: SG  
 SCALE: 1:12  
 SHEET 1 OF 2  
 DWG# 00498-0BB

TITLE: CONTROL ASSEMBLY

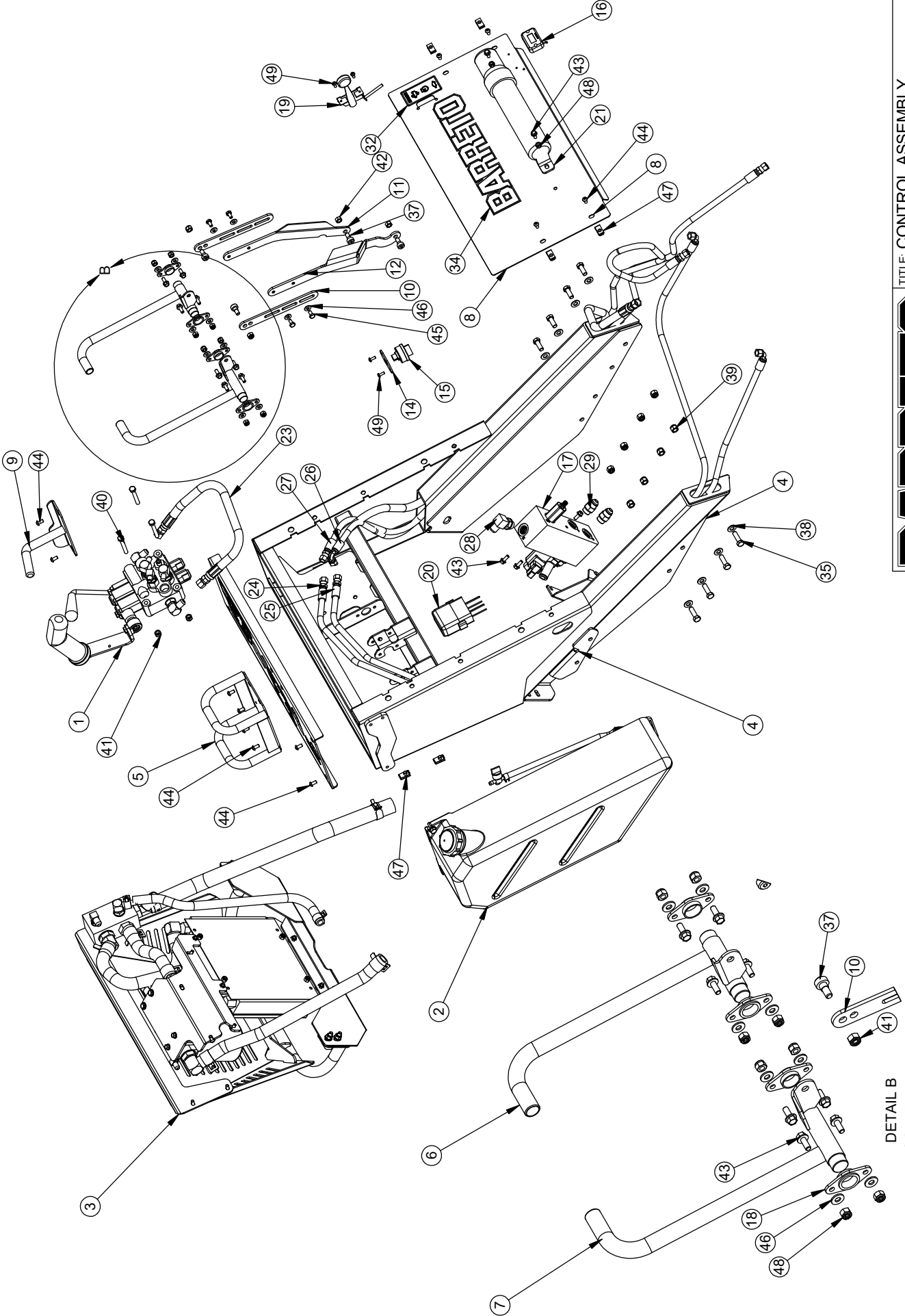
PRODUCT LINE:SG

SCALE: 1:12

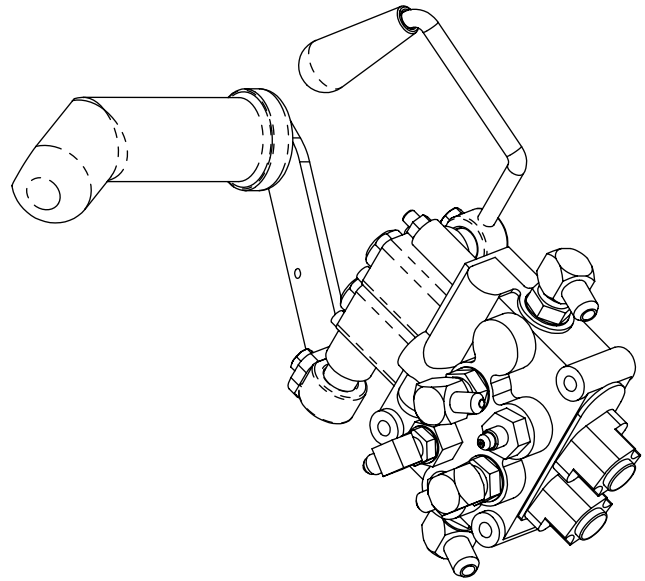
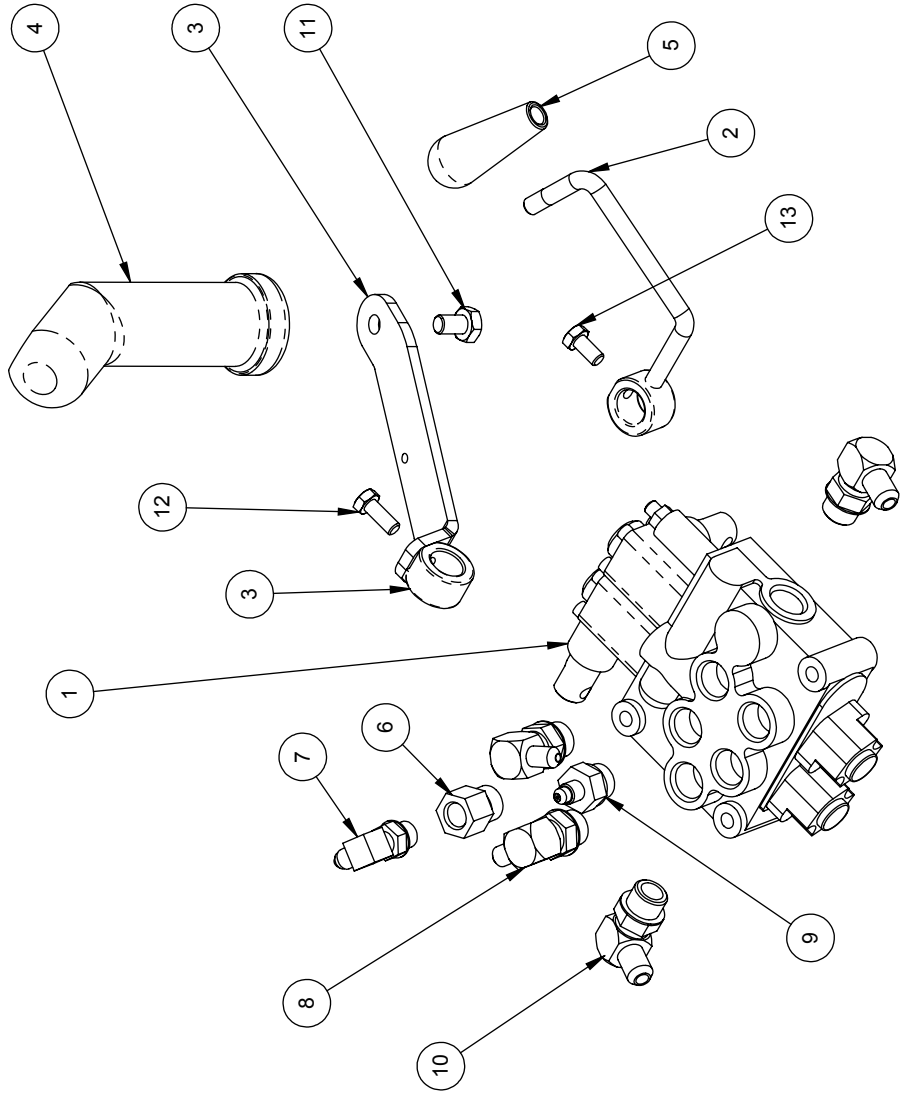
DWG# 00498-OBB

# BARRETO

DETAIL B  
SCALE 1 : 6



ITEM NO.	QTY.	PART NO.	DESCRIPTION
1	1	104022-W	VALVE, WOLVERINE
2	1	12776	LIFT LEVER
3	1	12777	SWING LEVER
4	1	12379-B1	JOYSTICK HANDLE, W/ TRIGGER
5	1	103542	SPEED KNOB
6	1	104529	FITTING, 6410-8-6
7	1	104527-01	FITTING, 6801-4-6
8	2	10403	FITTING, 6801-4-8
9	1	104568	FITTING, 6400-4-8
10	2	10404	FITTING, 6801-6-8
11	1	12466	HH CAP SCREW, M10-1.5 X 16mm, 8.8, ZINC
12	1	12782	HH CAP SCREW, M8-1.25 X 20MM ZINC
13	1	105406	HH CAP SCREW, M8-1.25 X 16MM ZINC



# BARRETO

TITLE: CYLINDER VALVE ASSEM  
2 LEVER CONTROL

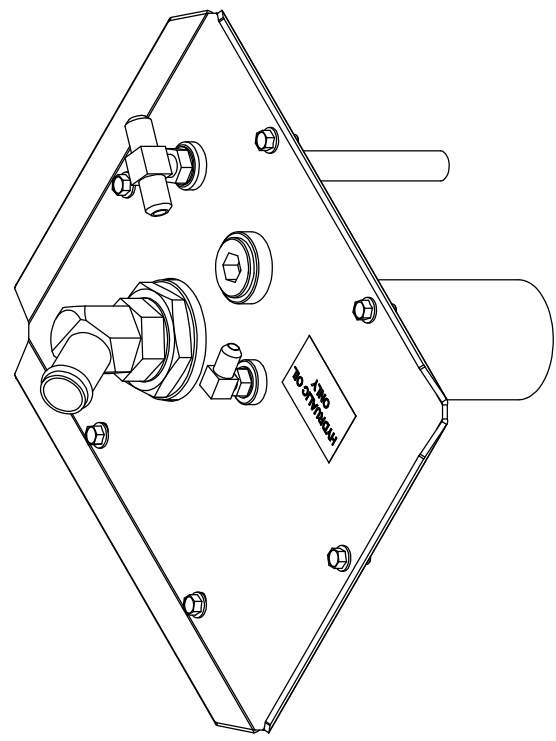
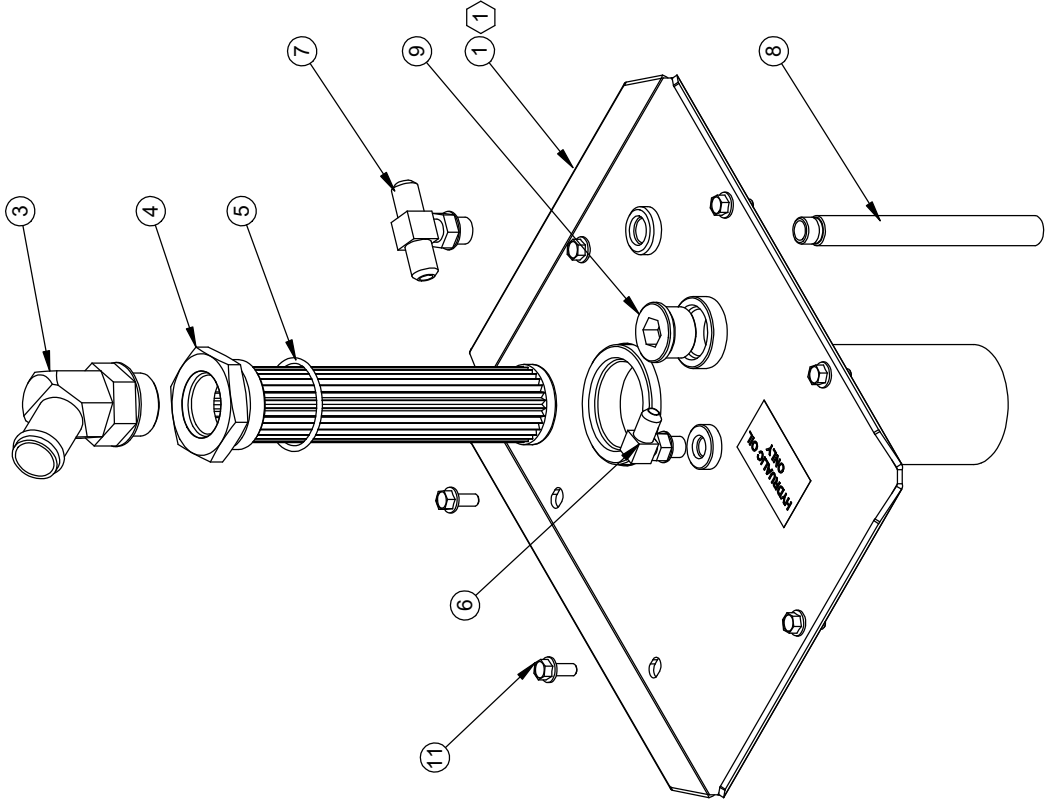
PRODUCT LINE: 305SG, 35SG DATE: 2-14

SCALE: 1:4 SHEET: 1 OF 1 DWG# 00497

ITEM NO.	QTY.	PART NO.	DESCRIPTION
1	1	12720 R1	LID, STUMP GRINDER
3	1	12484	FITTING, 4603-16-16
4	1	10636	SUMP SCREEN, W/ O-RING 03292
5	1	03292	O-RING, 3-924N90, -24 FITTINGS
6	1	04555	FITTING, 6801-4-4
7	1	10409	FITTING, 6803-6-6-6
8	1	12864	RETURN TUBE
9	1	10526	FITTING, 6409-12 PLUG
10	1	03040-06	DECAL, "HYDRAULIC OIL ONLY"
11	6	05069	WHIZ-LOCK 1/4 - 20 X 5/8

① USE LID 12720K R1 FOR KOHLER POWERED MACHINE  
 USE LID 12720H FOR HONDA POWERED MACHINE  
 USE LID 12720 R1 FOR BRIGGS POWERED MACHINE

RELEASE DATE	10/13
REVISED DATE	5/17/17
REVISION #	3

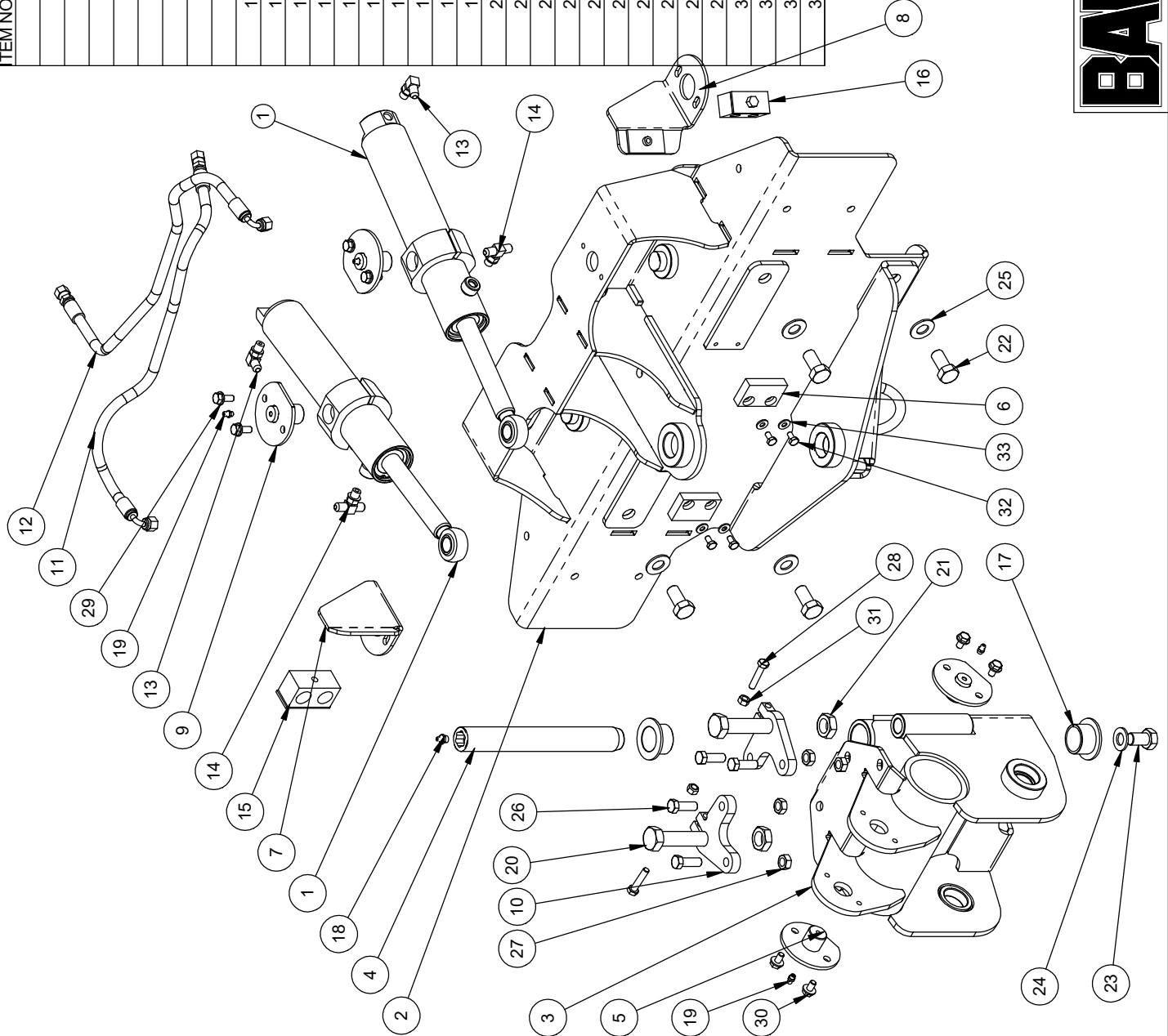


# BARRETO

TITLE:	LID ASSEMBLY
PRODUCT LINE:	SG - 10cc / CP
SCALE:	1:4
SHEET:	1 OF 1
DATE:	10/13
DWG#:	00499CP



ITEM NO.	QTY.	PART NO.	DESCRIPTION
1	2	00538	SWING CYLINDER ASSEMBLY
2	1	12705	MOUNT BASE, CP
3	1	12706	PIVOT HEAD, CP
4	1	12711	SWING PIN
5	2	10281	CYLINDER PIN
6	2	12714	SWING STOP
7	1	12728R	HOSE MOUNT, RT
8	1	12728L	HOSE MOUNT, LEFT
9	2	12262	TRUNION PIN
10	2	12794	PIN BRACE
11	1	12722	HOSE, SWING CROSSOVER, R, FRONT
12	1	12722	HOSE, SWING CROSSOVER, L, FRONT
13	2	04555	FITTING, 6801-4-4
14	2	04223	FITTING, 6803-4-4-4
15	1	11656	TUBE CLAMP
16	1	12359	HOSE CLAMP, 1/4"
17	2	12712	BUSHING, COMPOSITE FLANGE
18	1	05256	GREASE ZERK, 1/8 NPT
19	4	05044	GREASE ZERK, 1/4-28 UNF
20	2	05179	HH CAP SCREW, 3/4-16 NF X 3-1/2 G8 ZINC
21	2	05115	NUT, JAM, 3/4-16 NF ZINC
22	4	05260	HH CAP SCREW, 5/8-11 NC X 1-1/4 G5 ZINC
23	1	05178	HH CAP SCREW, 5/8-18 NF X 1 G5 ZINC
24	1	05100-B	WASHER, M 16 X 30
25	4	05272	WASHER, 5/8 SAE ZINC HARDENED
26	4	05063	HH CAP SCREW, 7/16-20 NF X 1-1/4 G8 ZINC
27	4	05355	NUT, GRIPCO, 7/16-20 NF G5 ZINC
28	2	05420	HH CAP SCREW, 5/16-24 NF X 1-1/2 G5 ZINC
29	4	05131	HH FLANGE SCREW, 5/16-18 NC X 3/4 G8 ZINC
30	4	05169	WHIZ-LOCK 5/16 - 18 X 1/2
31	2	10462	NUT, GRIPCO, 5/16-24 NF G5 ZINC
32	4	05557	HH CAP SCREW, 1/4-20 NC X 1/2 G5 ZINC
33	4	05081	WASHER, 1/4 SAE ZINC



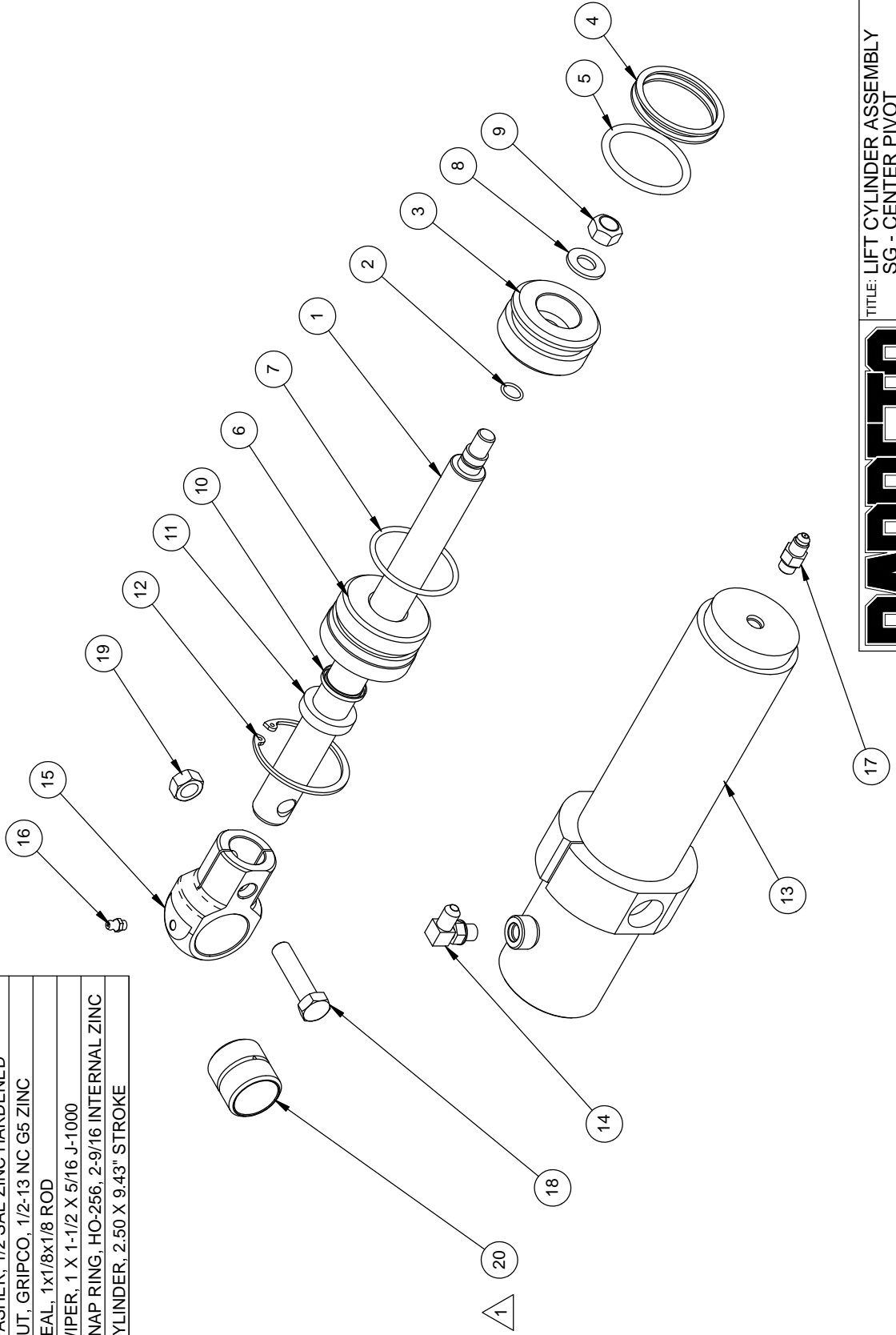
# BARRETO

TITLE: PIVOT HEAD  
 SG - CENTER PIVOT  
 PRODUCT LINE: 305G - CP, 355G DATE: 10/13  
 SCALE: 1:8  
 SHEET 1 OF 1  
 DWG# 00535

5-5-16 CHANGE TO STEEL BUSHING



ITEM NO.	QTY.	PART NO.	DESCRIPTION	ITEM NO.	QTY.	PART NO.	DESCRIPTION
1	1	02701	CYLINDER ROD	14	1	04555	FITTING, 6801-4-4
2	1	03232	O-RING, 2-014, 5/8 OD X 1/16 SECTION	15	1	02616	CYLINDER ROD END
3	1	02612	PISTON	16	1	05044	GREASE ZERK, 1/4-28 UNF
4	2	03237	BACK-UP RING, 8-330N90 PARBAK	17	1	04560	FITTING, 6400-4-4
5	1	03236	O-RING, 2-330, 2-1/2 OD X 3/16 SECTION	18	1	05251	HH CAP SCREW, 1/2-20 NF X 2 G5 ZINC
6	1	02613	CYLINDER END	19	1	05076	NUT, GRIPCO, 1/2-20 NF G5 ZINC
7	1	03234	O-RING, 2-228, 2-1/2 OD X 1/8 SECTION	20	1	103502	BUSHING, CONNEX 1.5X1.25X1
8	1	05102	WASHER, 1/2 SAE ZINC HARDENED				
9	1	05046	NUT, GRIPCO, 1/2-13 NC G5 ZINC				
10	1	03259	SEAL, 1x1/8x1/8 ROD				
11	1	03255	WIPER, 1 X 1-1/2 X 5/16 J-1000				
12	1	05211	SNAP RING, HO-256, 2-9/16 INTERNAL ZINC				
13	1	10704	CYLINDER, 2.50 X 9.43" STROKE				



# BARRETO

TITLE: LIFT CYLINDER ASSEMBLY  
SG - CENTER PIVOT

PRODUCT LINE: 30SG - CP DATE: 10/13

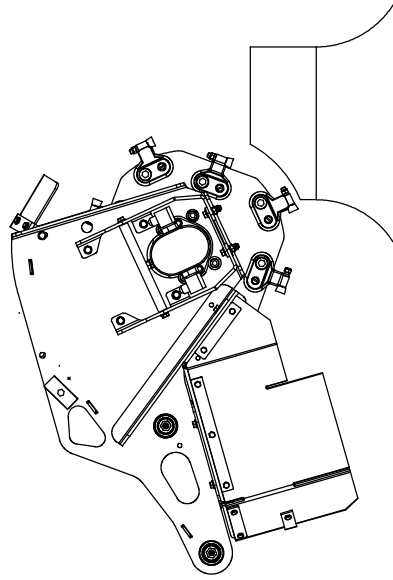
SCALE: 1:4

SHEET 1 OF 1

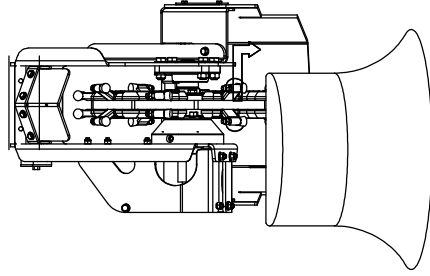
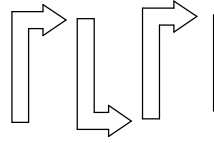
DWG# 00537

RELEASE DATE	XXXXXXXXXX
REVISED DATE	NEW
REVISION #	0

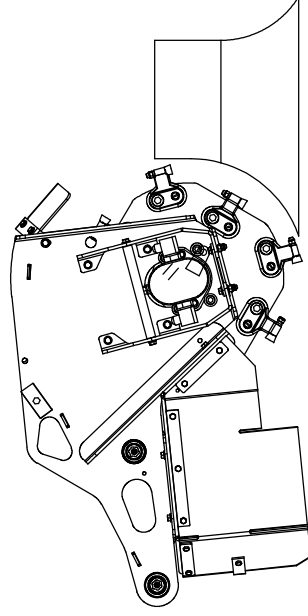
START AT TOP EDGE



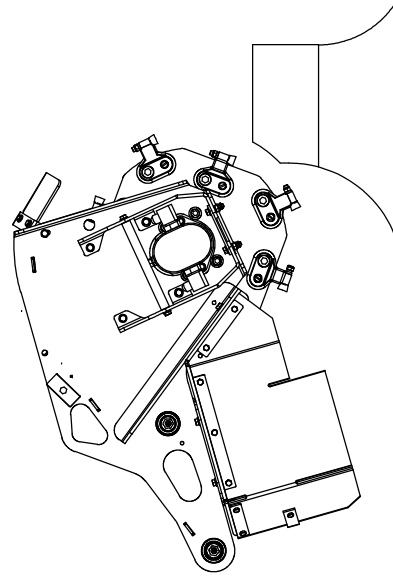
SWEEP,  
DROP 1/2"  
SWEEP  
REPEAT



FINISH FIRST CUT



MOVE MACHINE  
FORWARD TO  
START NEXT CUT



**BARRETO**

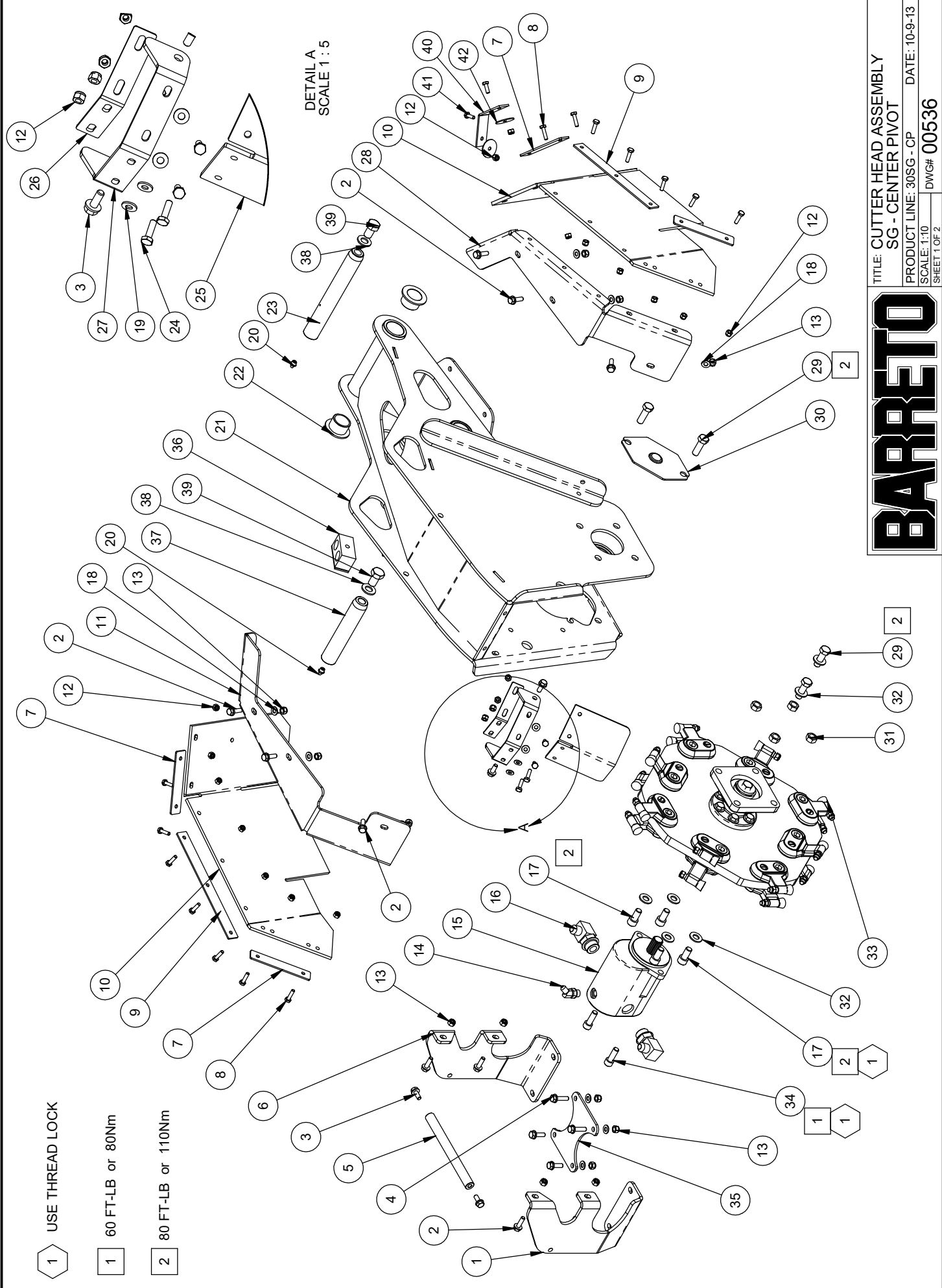
TITLE: CUTTER HEAD ASSEMBLY

PRODUCT LINE:

SCALE: 1:16

SHEET 1 OF 1

DWG# 00536-CUTTING



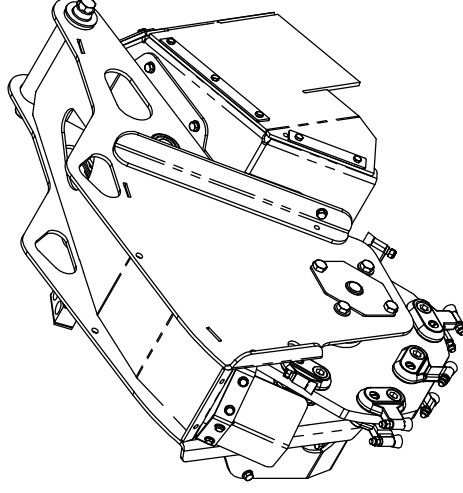
DETAIL A  
SCALE 1:5

- 1 USE THREAD LOCK
- 1 60 FT-LB or 80Nm
- 2 80 FT-LB or 110Nm

# BARRETO

TITLE: CUTTER HEAD ASSEMBLY  
 SG - CENTER PIVOT  
 PRODUCT LINE: 30SG - CP DATE: 10-9-13  
 SCALE: 1:10 SHEET 1 OF 2 DWG# 00536

ITEM NO.	QTY.	PART NO.	DESCRIPTION	ITEM NO.	QTY.	PART NO.	DESCRIPTION
1	1	12270CP	MOTOR GUARD	25	1	12478	FRONT FLAP
2	12	05567	HH FLANGE SCREW, 5/16-18 NC X 1" G8 ZINC	26	1	12479 R1	FRONT FLAP KEEPER
3	4	05131	HH FLANGE SCREW, 5/16-18 NC X 3/4 G8 ZINC	27	1	12477	FRONT FLAP MOUNT
4	2	05138	HH FLANGE SCREW, 5/16-18 NC X 1-1/4 G8 ZINC	28	1	12716L	SKIRT MOUNT, LEFT
5	1	12269	GUARD BRACE	29	4	05300-01	HH CAP SCREW, 1/2-13 NC X 1-1/2 G5 ZINC
6	1	12270CP-L	MOTOR GUARD, LEFT	30	1	12267	BEARING COVER
7	4	12482	FLAP KEEPER	31	4	05046	NUT, GRIPCO, 1/2-13 NC G5 ZINC
8	14	05237	HH CAP SCREW, 1/4-20 NC X 1 G5 ZINC	32	6	05102	WASHER, 1/2 SAE ZINC HARDENED
9	2	12276	LEFT FLAP STRAP	33	1	100492	CUT WHEEL ASSY
10	2	12721	SKIRT	34	2	05353	SH CAP SCREW, 7/16-20 NF X 1-1/4 ZINC
11	1	12716R	SKIRT MOUNT, RIGHT	35	1	12710	GUARD BRACE
12	20	05096	NUT, NYLOCK, 1/4-20 NC ZINC	36	1	11656	TUBE CLAMP
13	16	05273	NUT, NYLOCK, 5/16-18 NC ZINC	37	1	12709T	LIFT ROD PIN
14	1	04218-1	FITTING, 6802-4-6	38	2	05100-B	WASHER, M 16 X 30
15	1	04030	GEAR MOTOR, 41cc	39	2	05178	HH CAP SCREW, 5/8-18 NF X 1 G5 ZINC
16	2	11038	FITTING, 6801-8-12	40	1	12778	FLAP TIE
17	4	05569	SH CAP SCREW, 1/2-13 NC X 1 ZINC	41	2	05554	HH CAP SCREW, 1/4-20 NC X 3/4 G5 ZINC
18	10	05068	WASHER, 5/16 SAE ZINC	42	2	05542	WASHER, 1/4 X 1 1/2 ZN
19	4	05081	WASHER, 1/4 SAE ZINC	43	1	14365	SEAL SHIELD
20	2	05256	GREASE ZERK, 1/8 NPT	44	1	14366	GUARD CLIP
21	1	12707	CUTTER HEAD, CENTER PIVOT				
22	2	12712	BUSHING, COMPOSITE FLANGE				
23	1	12771	LIFT PIVOT PIN				
24	4	05535	HH CAP SCREW, 1/4-20 NC X 7/8 G5 ZN				



# BARRETO

TITLE: CUTTER HEAD ASSEMBLY  
SG - CENTER PIVOT

PRODUCT LINE: 30SG - CP

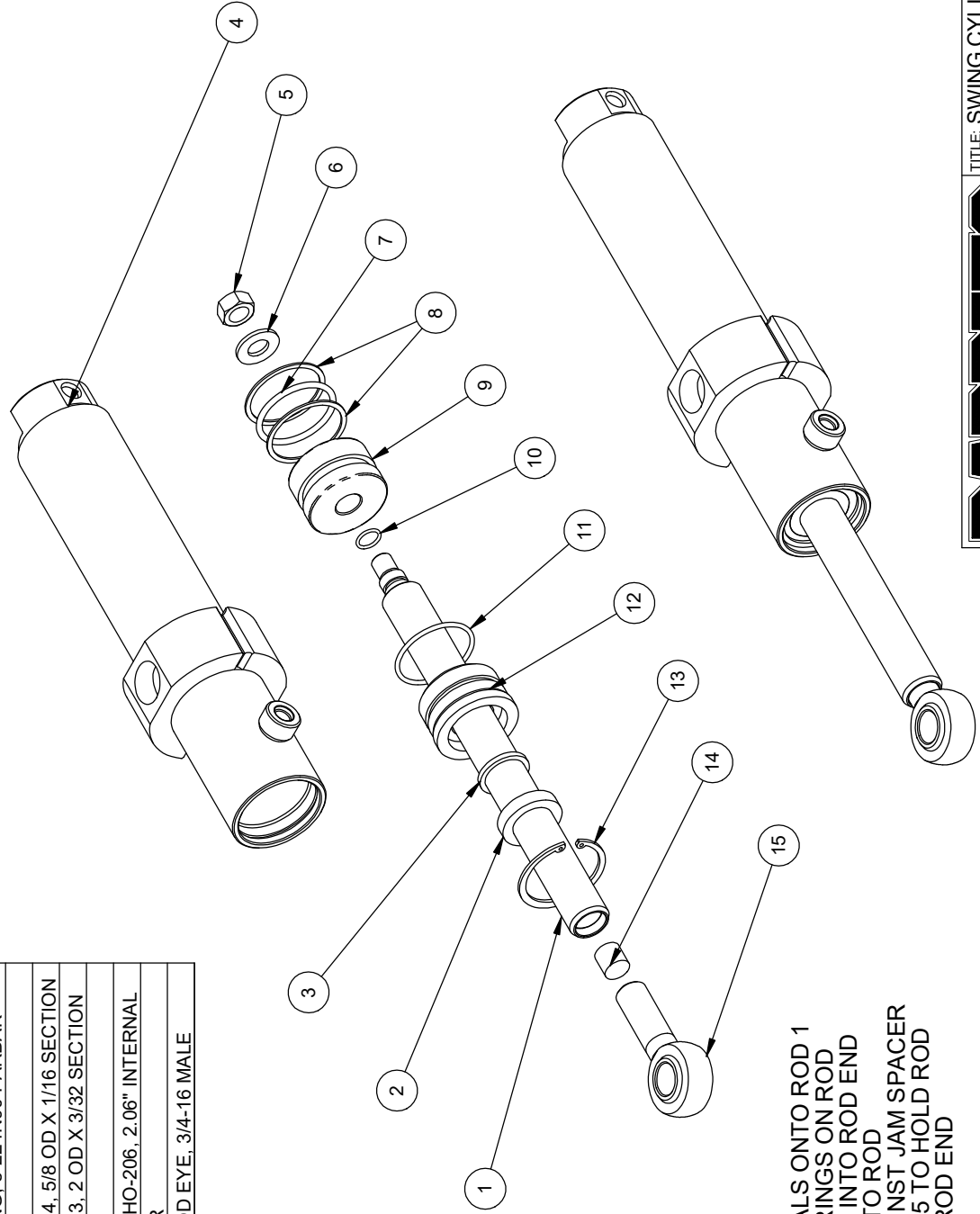
SCALE: 1:12

SHEET 2 OF 2

DATE: 10-13

DWG# 00536

ITEM NO.	QTY.	PART NO.	DESCRIPTION
1	1	12713	CYLINDER ROD
2	1	03255	WIPER, 1 X 1-1/2 X 5/16 J-1000
3	1	03259	SEAL, 1x1/8x1/8 ROD
4	1	12708	SWING CYLINDER, CP
5	1	05046	NUT, GRIPCO, 1/2-13 NC G5 ZINC
6	1	05102	WASHER, 1/2 SAE ZINC HARDENED
7	1	10492	O-RING, 2-224, 2 OD X 1/8 SECTION
8	2	10493	BACK-UP RING, 8-224N90 PARBAK
9	1	12255	PISTON, 2"
10	1	03232	O-RING, 2-014, 5/8 OD X 1/16 SECTION
11	1	10490	O-RING, 2-133, 2 OD X 3/32 SECTION
12	1	12257	END CAP
13	1	05445	SNAP RING, HO-206, 2.06" INTERNAL
14	1	12792	JAM SPACER
15	1	12791	SPHERIC ROD EYE, 3/4-16 MALE



TO ASSEMBLE ROD 1:  
 SLIDE CAP 12 WITH SEALS ONTO ROD 1  
 INSTALL PISTON 9 & O-RINGS ON ROD  
 INSERT JAM SPACER 14 INTO ROD END  
 SCREW ROD EYE 15 INTO ROD  
 TIGHTEN ROD EYE AGAINST JAM SPACER  
 USE A SOCKET ON NUT 5 TO HOLD ROD  
 USE RED LOCTITE ON ROD END  
 60 - 70 FT-LB

# BARRETO

TITLE: SWING CYLINDER ASSEMBLY  
 CENTER PIVOT SG

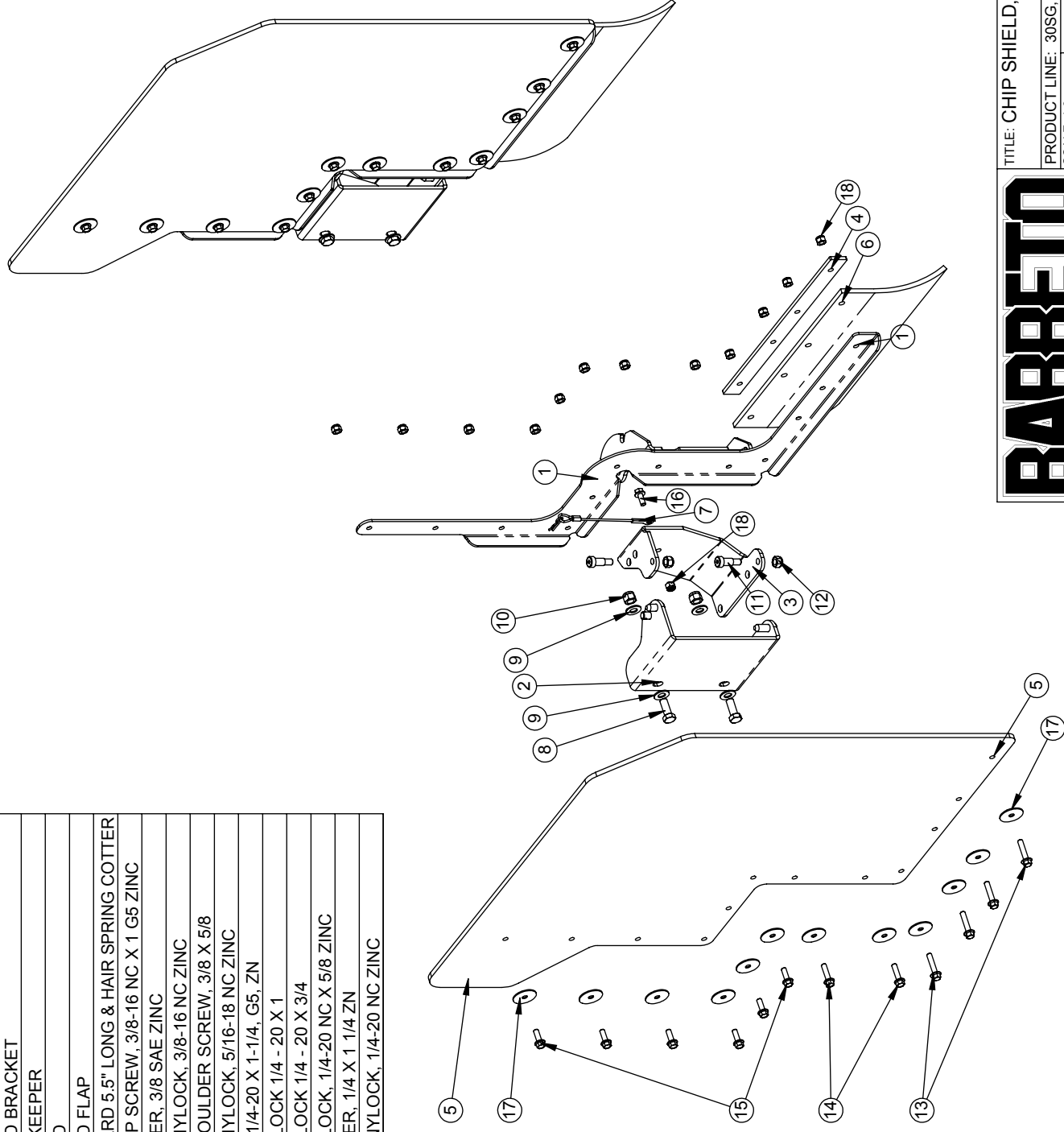
PRODUCT LINE: 30SG - CP DATE: /08

SCALE: 1:4

SHEET: 1 OF 1 DWG# 00538

RELEASE DATE 7/2014  
 REVISED DATE 5/31/14

ITEM NO.	QTY.	PART NO.	DESCRIPTION
1	1	12785 R1	SHIELD FRAME
2	1	12788 R1	SHIELD MOUNT
3	1	12859	SHIELD BRACKET
4	1	12797	FLAP KEEPER
5	1	12786	SHIELD
6	1	12796	SHIELD FLAP
7	1	103351	LANYARD 5.5" LONG & HAIR SPRING COTTER
8	2	05059	HH CAP SCREW, 3/8-16 NC X 1 G5 ZINC
9	4	05101	WASHER, 3/8 SAE ZINC
10	2	05073	NUT, NYLOCK, 3/8-16 NC ZINC
11	2	05356	SH SHOULDER SCREW, 3/8 X 5/8
12	2	05273	NUT, NYLOCK, 5/16-18 NC ZINC
13	4	05403	HHFS 1/4-20 X 1-1/4, G5, ZN
14	2	05368	WHIZ-LOCK 1/4 - 20 X 1
15	6	05049	WHIZ-LOCK 1/4 - 20 X 3/4
16	1	05069	WHIZ LOCK, 1/4-20 NC X 5/8 ZINC
17	12	05545	WASHER, 1/4 X 1 1/4 ZN
18	13	05096	NUT, NYLOCK, 1/4-20 NC ZINC



**BARRETO**

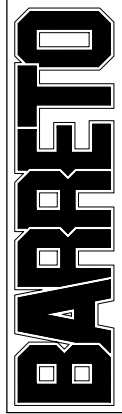
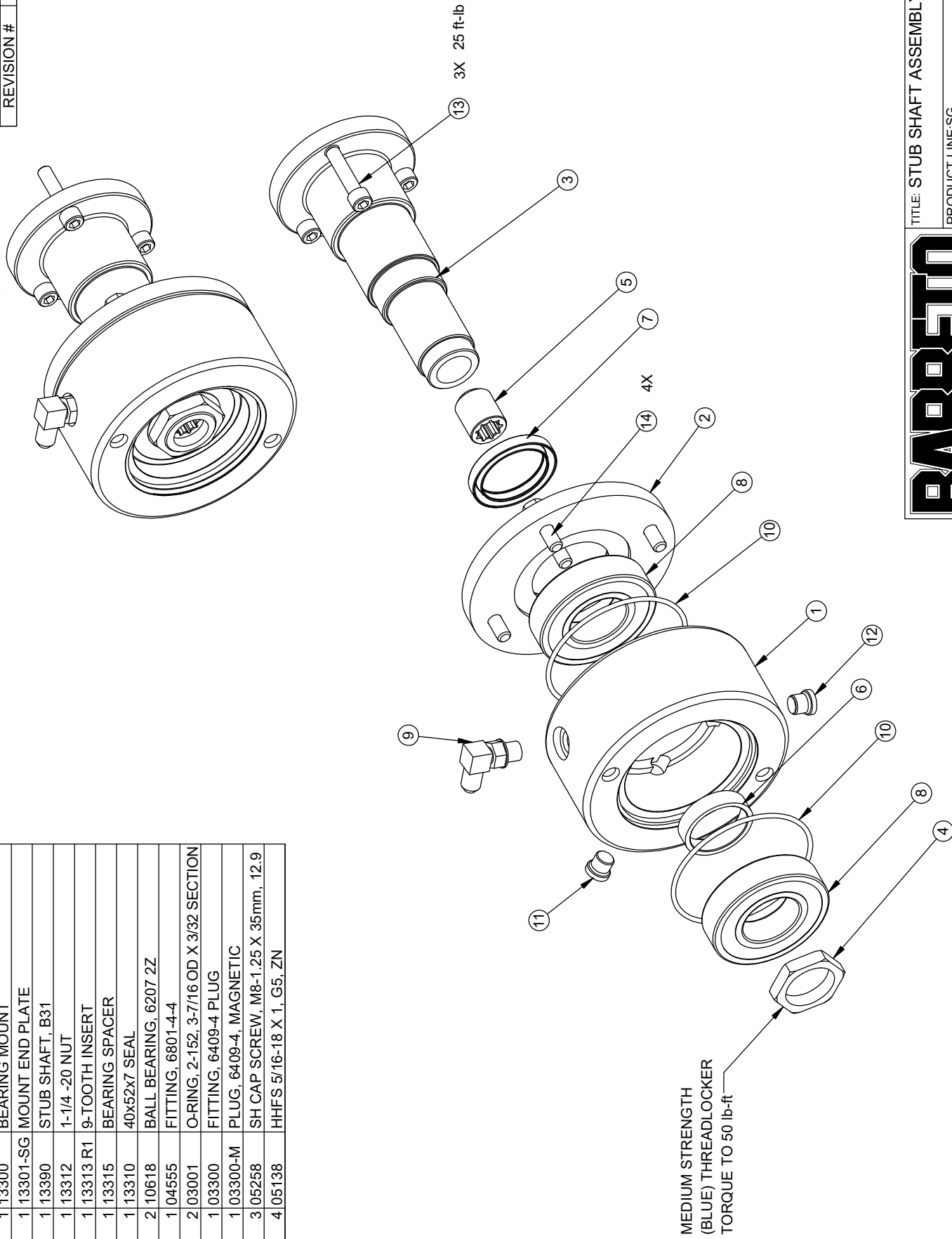
TITLE: CHIP SHIELD, REMOVEABLE

PRODUCT LINE: 30SG, 35SG DATE: 07-14  
 SCALE: 1:8  
 SHEET 1 OF 1 DWG# 00541 R1

ITEM NO.	QTY.	PART NO.	DESCRIPTION
1	1	13300	BEARING MOUNT
2	1	13301-SG	MOUNT END PLATE
3	1	13390	STUB SHAFT, B31
4	1	13312	1-1/4"-20 NUT
5	1	13313 R1	9-TOOTH INSERT
6	1	13315	BEARING SPACER
7	1	13310	40x52x7 SEAL
8	2	10618	BALL BEARING, 6207 2Z
9	1	04555	FITTING, 6801-4-4
10	2	03001	O-RING, 2-152, 3-7/16 OD X 3/32 SECTION
11	1	03300	FITTING, 6409-4 PLUG
12	1	03300-M	PLUG, 6409-4, MAGNETIC
13	3	05258	SH CAP SCREW, M8-1.25 X 35mm, 12.9
14	4	05138	HHFS 5/16-18 X 1, G5, ZN

FILL WITH 1.5 OZ OF ANY AUTOMATIC TRANSMISSION FLUID (ATF)

RELEASE DATE	6/16/2016
REVISED DATE	4/26/17
REVISION #	2

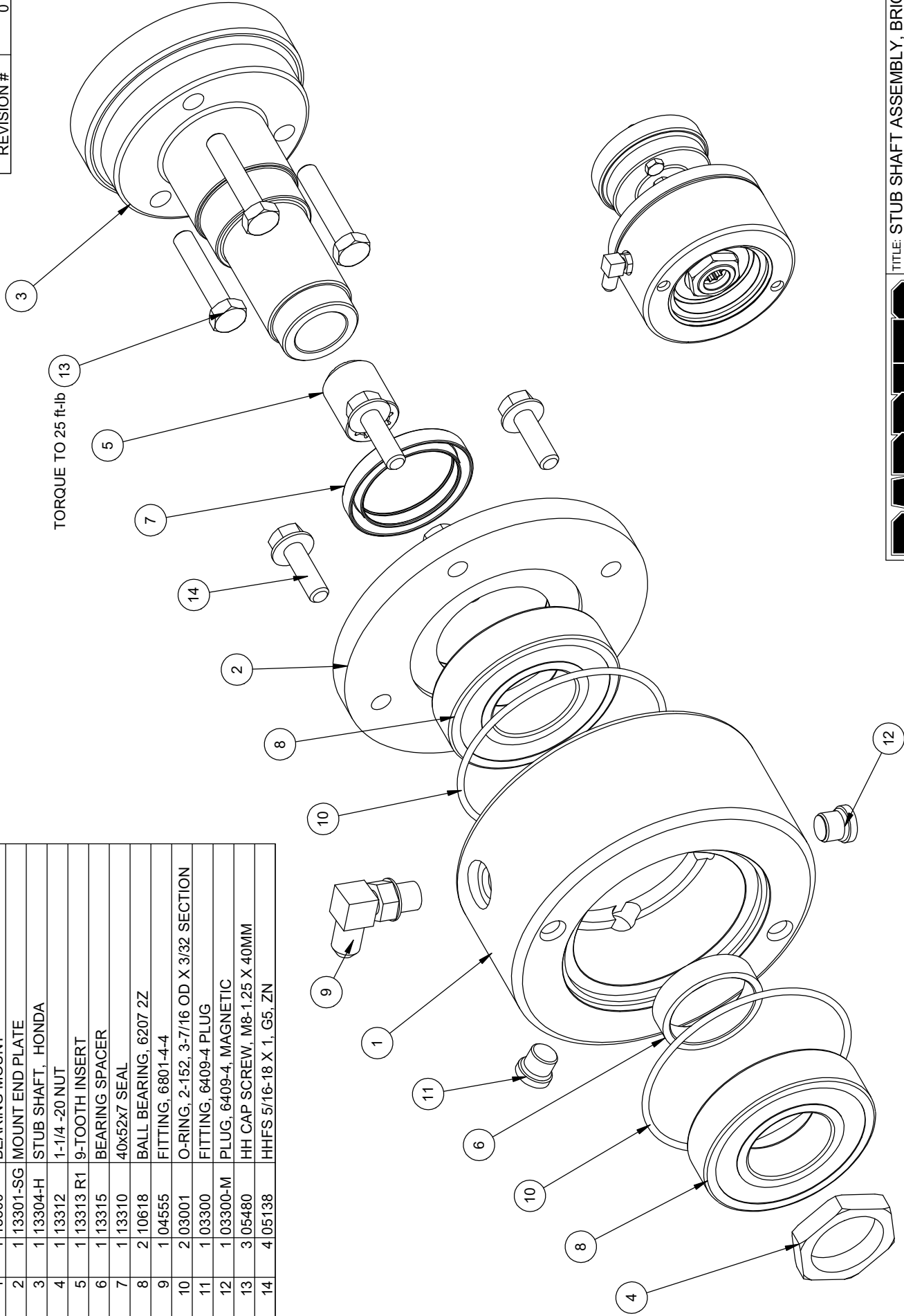


TITLE: STUB SHAFT ASSEMBLY, BRIGGS	
PRODUCT LINE: SG	DWG# 00605-B-SG
SCALE: 1:3	SHEET 1 OF 1



ITEM NO.	QTY.	PART NO.	DESCRIPTION
1	1	13300	BEARING MOUNT
2	1	13301-SG	MOUNT END PLATE
3	1	13304-H	STUB SHAFT, HONDA
4	1	13312	1-1/4 -20 NUT
5	1	13313 R1	9-TOOTH INSERT
6	1	13315	BEARING SPACER
7	1	13310	40x52x7 SEAL
8	2	10618	BALL BEARING, 6207 2Z
9	1	04555	FITTING, 6801-4-4
10	2	03001	O-RING, 2-152, 3-7/16 OD X 3/32 SECTION
11	1	03300	FITTING, 6409-4 PLUG
12	1	03300-M	PLUG, 6409-4, MAGNETIC
13	3	05480	HH CAP SCREW, M8-1.25 X 40MM
14	4	05138	HHFS 5/16-18 X 1, G5, ZN

RELEASE DATE	XXXXXXXXXX
REVISED DATE	NEW
REVISION #	0



# BARRETO

TITLE: STUB SHAFT ASSEMBLY, BRIGGS

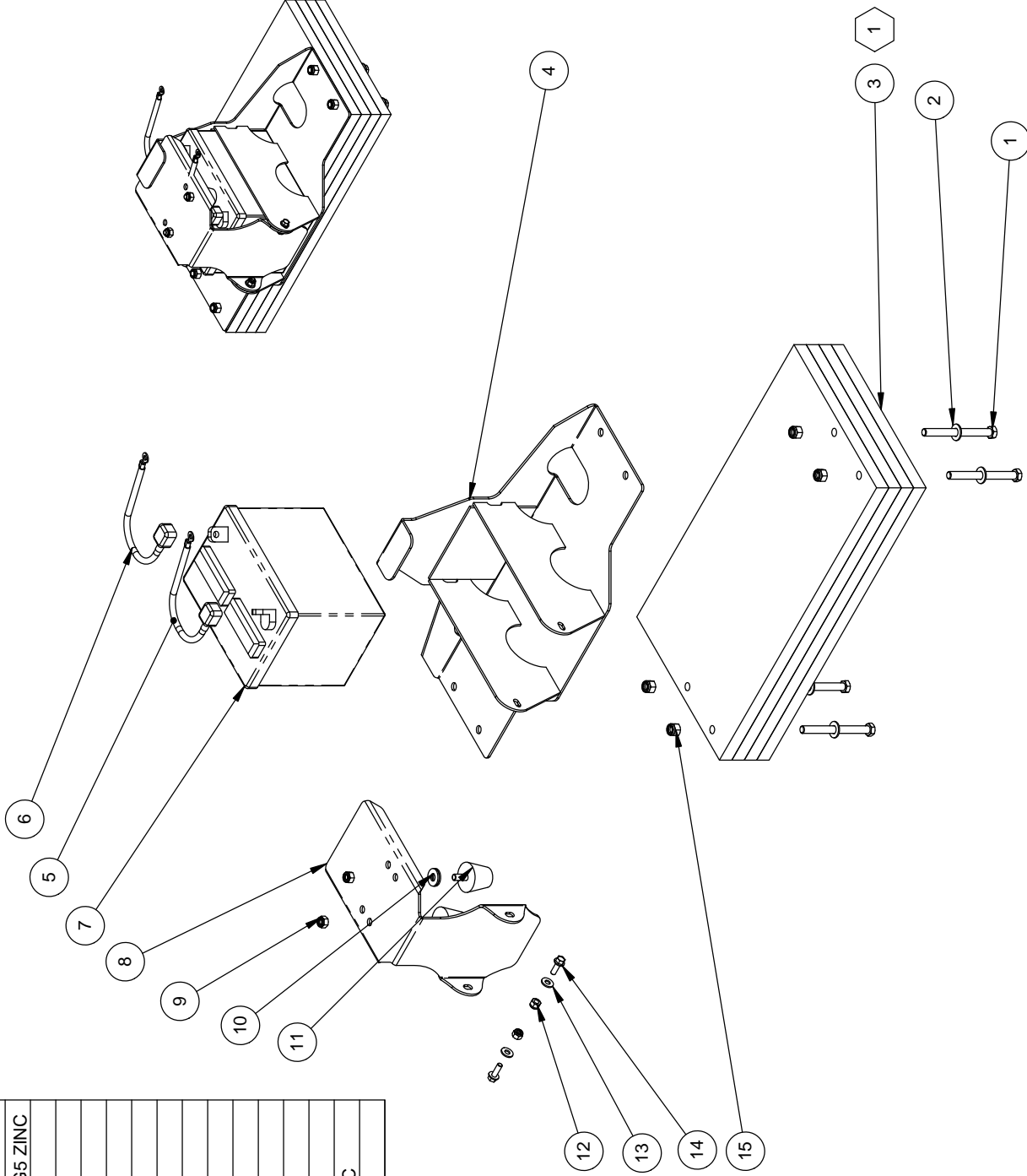
PRODUCT LINE: SG30H

SCALE: 1:2

SHEET 1 OF 1

DWG# 00605-H-SG

REF	QTY.	PART NO.	DESCRIPTION
1	4	10757	HH CAP SCREW, 3/8-16 NC X 4 G5 ZINC
2	4	05101	WASHER, 3/8 SAE ZINC
3	4	11634	WEIGHT, 3/4 X 10
4	1	11539	BATTERY MOUNT
5	1	11321	BATTERY CABLE, POS
6	1	11322	BATTERY CABLE, NEG
7	1	11537	BATTERY, GT-X U1 300
8	1	11542	BATTERY CAP, W/PAD
9	2	05273	NUT, NYLOCK, 5/16-18 NC ZINC
10	4	10615	WASHER, 5/16 USS ZINC
11	2	11258	RUBBER BUMPER
12	2	05096	NUT, NYLOCK, 1/4-20 NC ZINC
13	2	05081	WASHER, 1/4 SAE ZINC
14	2	05049	WHIZ LOCK, 1/4-20 NC X 3/4 ZINC
15	4	05073	NUT, NYLOCK, 3/8-16 NC ZINC

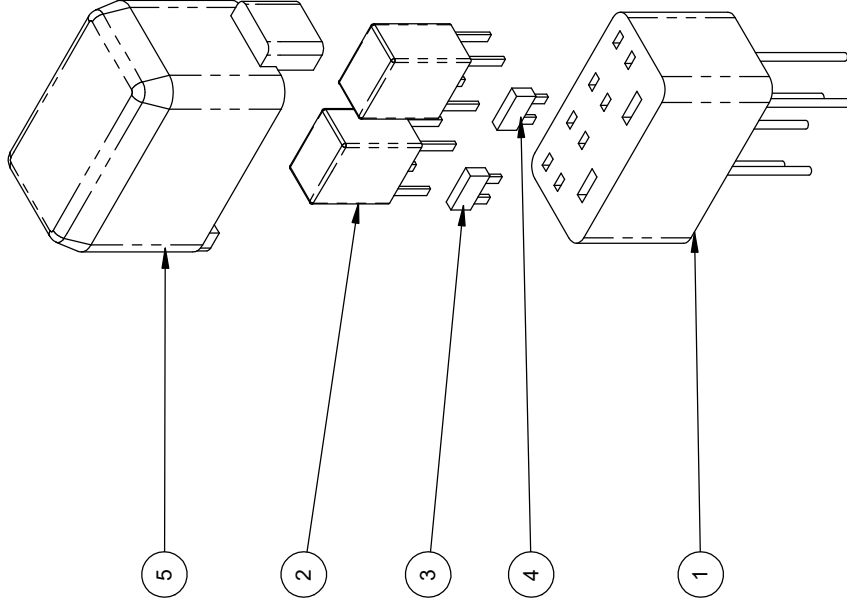


1 35 HP MODEL USES 3 WEIGHTS



NORMALLY PURCHASED AS ENTIRE UNIT BUT CAN BE ASSEMBLED IF NEEDED

ITEM NO.	QTY.	PART NO.	DESCRIPTION
1	1	12492	FUSE / RELAY HOLDER & WIRES
2	2	12493	RELAY
3	1	12494	FUSE, 5A
4	1	12405	FUSE, 25A
5	1	12492-1	COVER



# BARRETO

TITLE: FUSE / RELAY HOLDER ASSEM

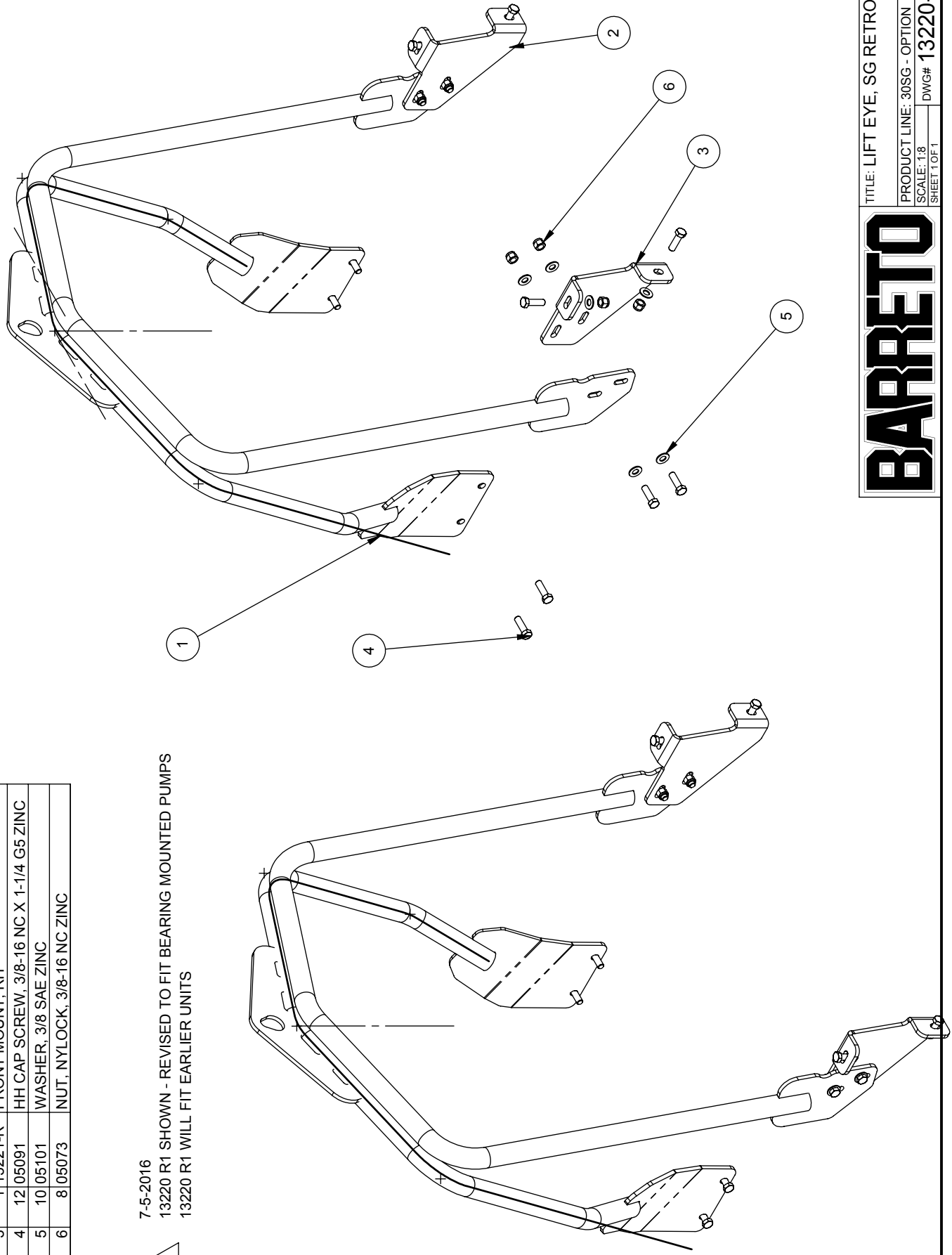
PRODUCT LINE: 30SG, 37SG DATE: 7 / 13

SCALE: 1:2 DWG# 12492-AS

SHEET 1 OF 1

ITEM NO.	QTY.	PART NO.	DESCRIPTION
1	1	13220 R1	LIFT EYE, SG
2	1	13221-L	FRONT MOUNT, LH
3	1	13221-R	FRONT MOUNT, RH
4	12	05091	HH CAP SCREW, 3/8-16 NC X 1-1/4 G5 ZINC
5	10	05101	WASHER, 3/8 SAE ZINC
6	8	05073	NUT, NYLOCK, 3/8-16 NC ZINC

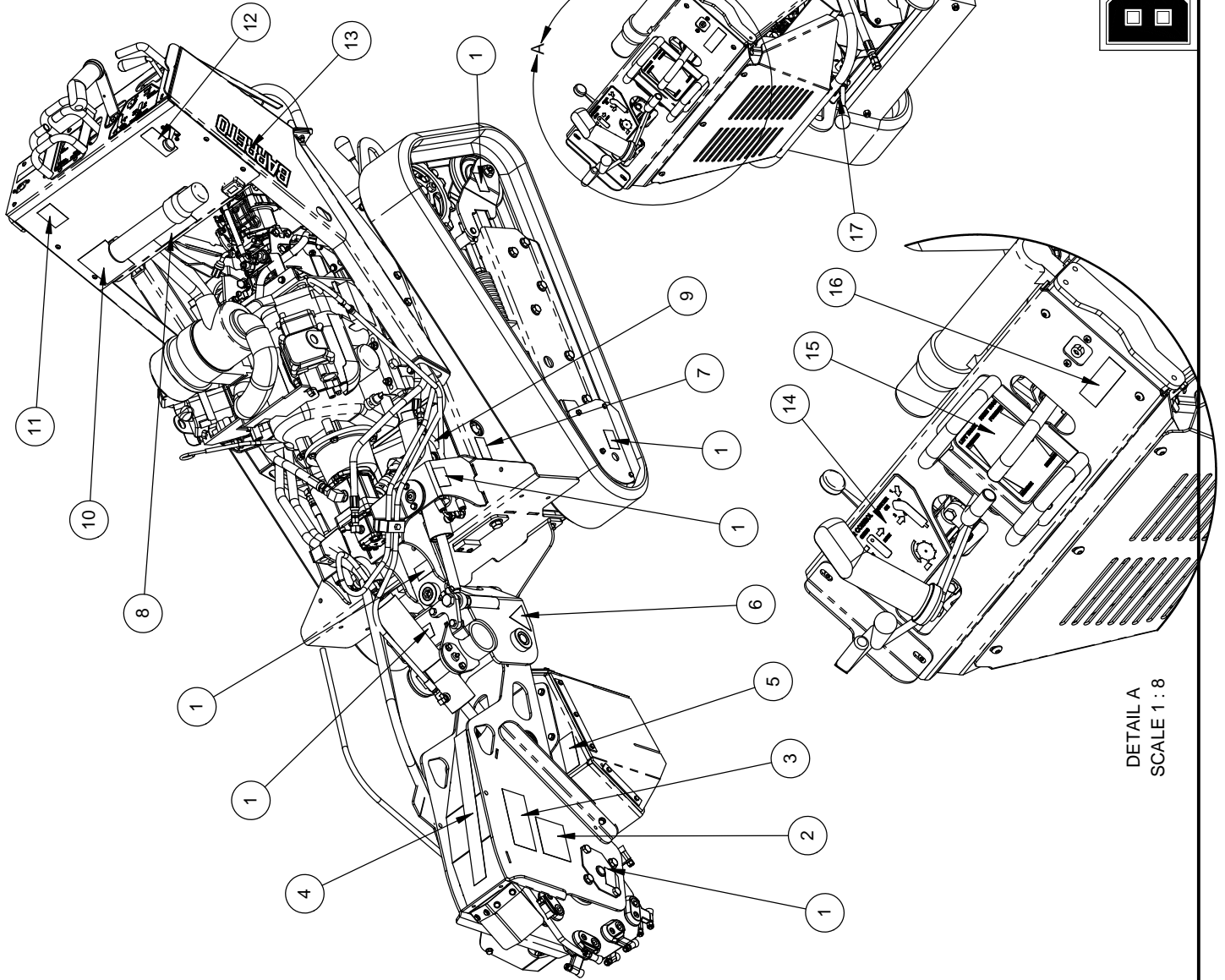
7-5-2016  
 13220 R1 SHOWN - REVISED TO FIT BEARING MOUNTED PUMPS  
 13220 R1 WILL FIT EARLIER UNITS



# BARRETO

TITLE: LIFT EYE, SG RETRO-BOLT-ON  
 PRODUCT LINE: 30SG - OPTION DATE: 15-15  
 SCALE: 1:8 DWG# 13220-ASSEM  
 SHEET 1 OF 1

REF.	PART NO.	DESCRIPTION
1	03040-04	GREASE DAILY
2	04451-CP-05	GREASE CHART, SG
3	04451-04	30 SG
4	03341-02	DANGER STRIPES
5	04451-10	DANGER, ROTATING BLADE
6	04451-11	DANGER, PINCH POINT
7	03040-57	OIL LEVEL
8	04451-09	WARNING, READ MANUAL
9	03040-06	HYDRAULIC OIL ONLY
10	04451-06	SAFETY SYMBOLS, PROTECTIVE GEAR
11	03040-01	MADE IN USA
12	04440-05	THROTTLE
13	03040-02	BARRETO, (LARGE)
14	04451-CP-03	CUTTER CONTROL
15	04451-TK	TRACK CONTROL
16	03341-07	IGNITION, ON-OFF
17	04450-16	PARK BRAKE



# BARRETO

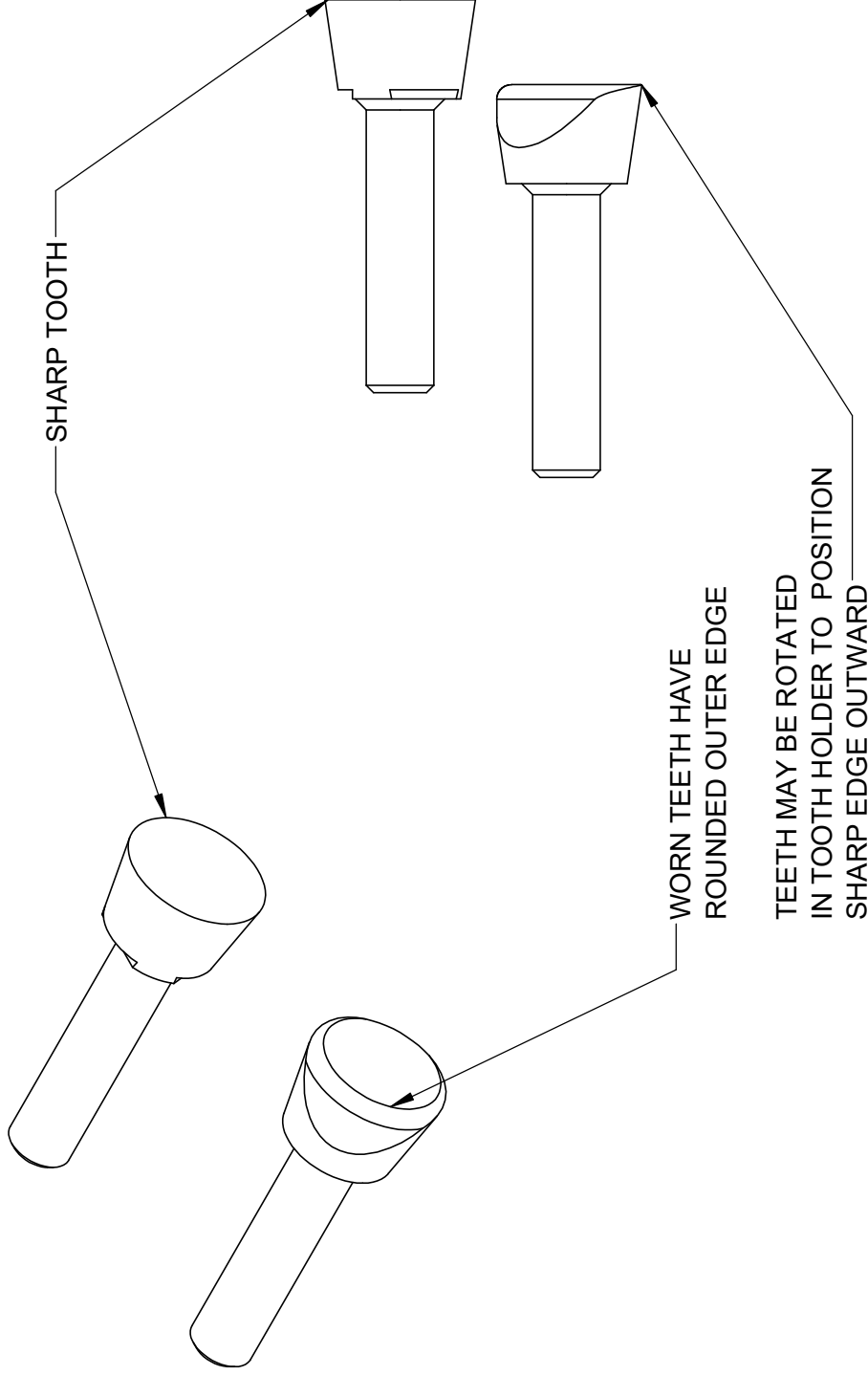
TITLE: 30 SG DECAL LOCATION CHART  
 PRODUCT LINE: 30 SG DATE: 1-22-16  
 SCALE: 1:16 DWG#: E30SG-DECALS  
 SHEET 1 OF 1

DETAIL A  
 SCALE 1:8

66498 HWY 203  
LA GRANDE, OR 97850  
(541) 963-7348

**BARRETT**

REV	DESCRIPTION	DWN	PER
0	INITIAL RELEASE FOR PROTOTYPE DEVELOPMENT		MZL



SHARP TOOTH

WORN TEETH HAVE  
ROUNDED OUTER EDGE

TEETH MAY BE ROTATED  
IN TOOTH HOLDER TO POSITION  
SHARP EDGE OUTWARD

TOLERANCES UNLESS OTHERWISE SPECIFIED  
FRACTIONS:  $\frac{1}{16} = \pm 1/16$   
 $\frac{1}{32} = \pm 1/32$   
 $\frac{1}{64} = \pm 1/64$   
DECIMALS:  $X = \pm .1$   
 $.XX = \pm .03$   
 $.XXX = \pm .005$   
ANGLES:  $\pm 2^\circ$

TITLE:  
PRODUCT LINE:  
SCALE: 1:1  
SHEET 1 OF 1  
DWG#: TOOTH WEAR

**BARRETT**

## CUTTER WHEEL REPLACEMENT PARTS

<u>Part#</u>	<u>Description</u>
12280	Cutter tooth, includes collar and nut, 700 series Wearsharp
12280-K	Set of 16 cutter teeth, Wearsharp
12280-COMP	Complete set of teeth, 8 angled & 8 straight holders, & bolts for the cutter wheel
12281	Tooth holder, straight. 700 Wearsharp
12281-K	Tooth holder set of 16, includes 4 straight and 12 angled
12282	Tooth holder, angled, 700 Wearsharp
12282-K	Tooth holder set of 16, includes 8 straight and 8 angled
12283	Cutter bolt
12283-K	Set of 16 cutter bolts
12284	Tooth collar, 700 series Wearsharp
05273	Tooth nut, 700 series Wearsharp